

Technical Specification

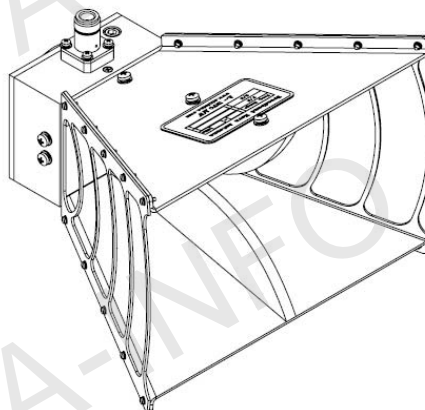
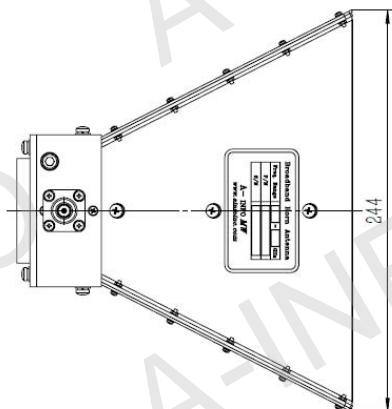
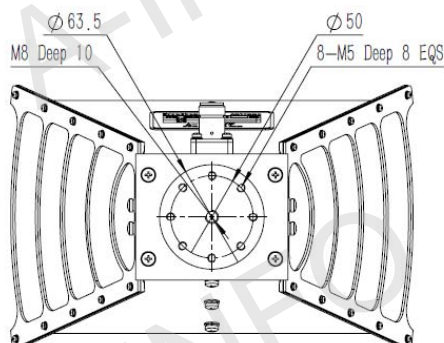
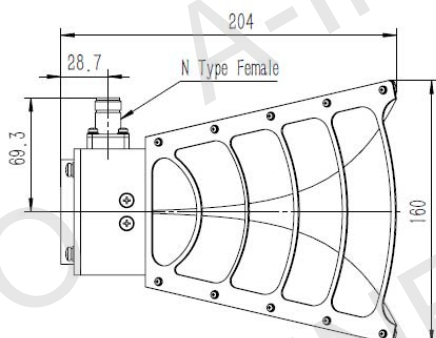


| | |
|--------------------------|-----------------------|
| Frequency Range(GHz) | 1.0 - 8.0 |
| Gain(dBi) | 11 Typ. |
| Polarization | Linear |
| 3dB Beamwidth(deg) | E Plane 100 - 26 |
| | H Plane 62 - 33 |
| Cross Pol. Isolation(dB) | 25 Typ. |
| VSWR | 1.5:1 Typ. |
| Connector | N-Female |
| | or SMA-Female |
| Power Handling(W) | N-Female 300 Max. CW |
| | SMA-Female 50 Max. CW |
| Material | Al |
| Size(mm) | 244 x 160 x 204 |
| Net Weight(Kg) | 1.4 Around |

Outline Drawing (Size: mm)

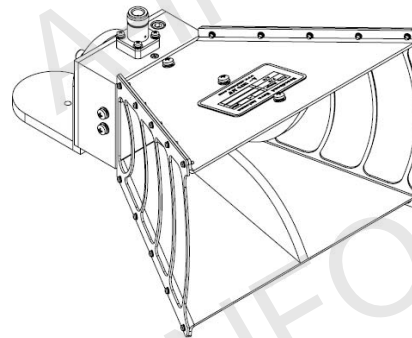
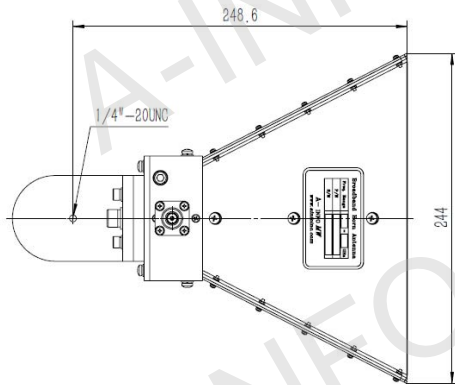
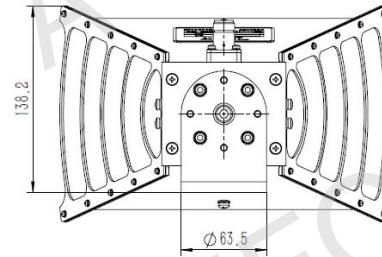
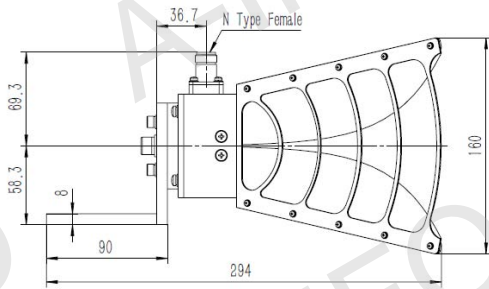
N-Female Output

For SMA-Female output outline drawing, please contact A-INFO.



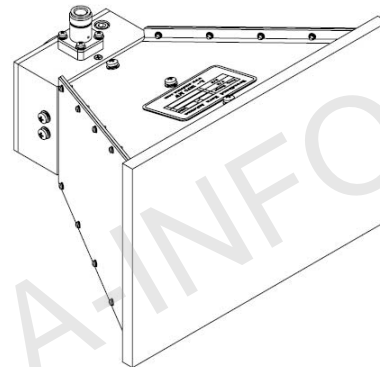
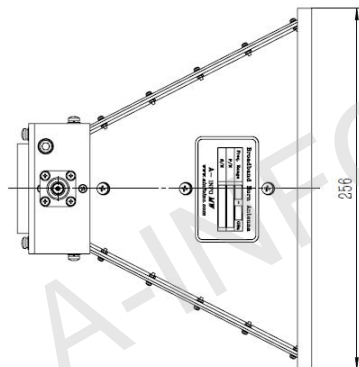
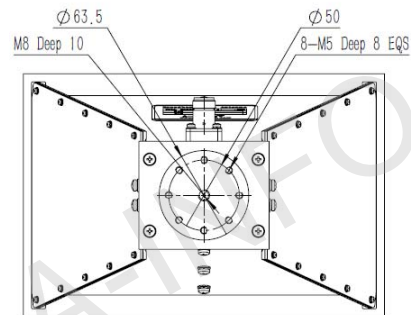
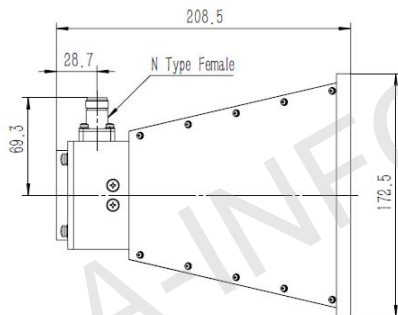
N-Female Output with L type mounting bracket

For SMA-Female output outline drawing, please contact A-INFO.



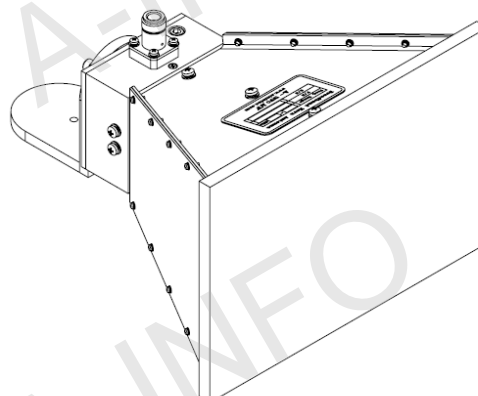
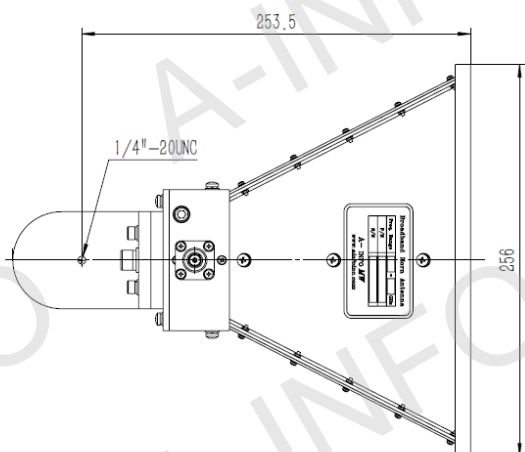
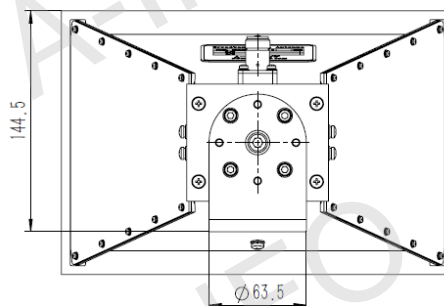
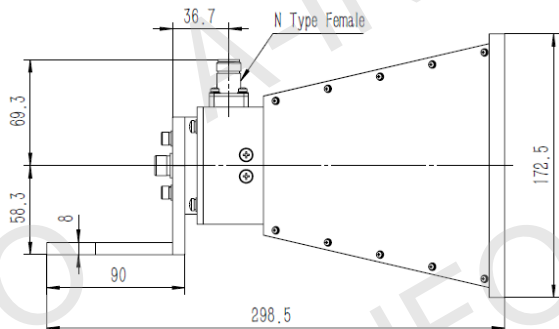
N-Female Output with Radome

For SMA-Female output outline drawing, please contact A-INFO.



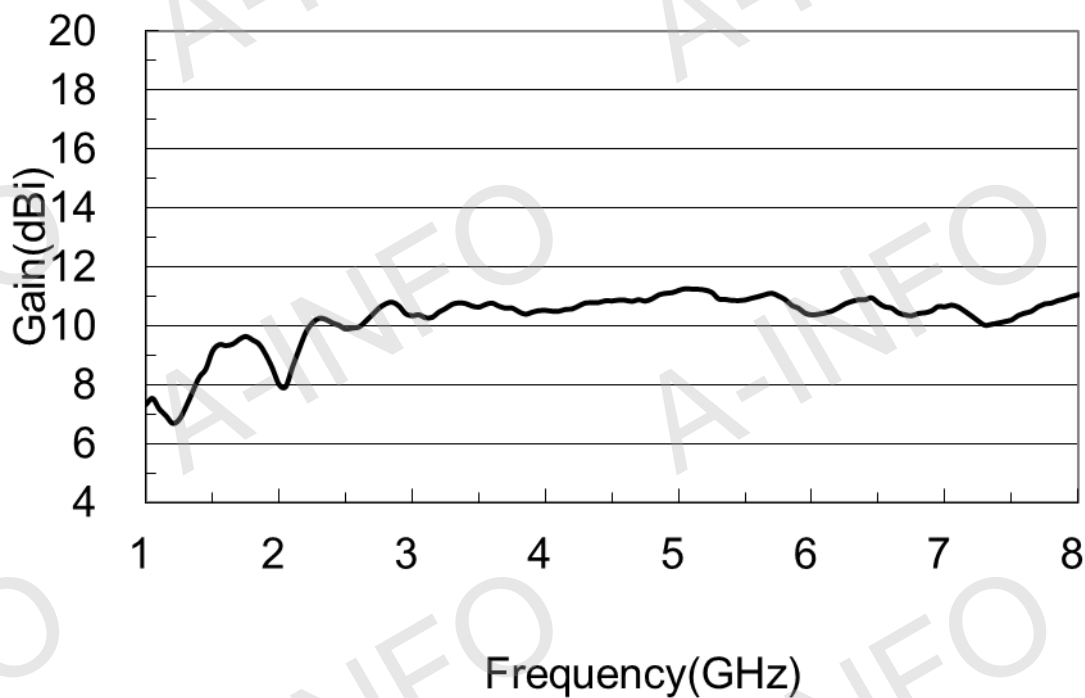
N-Female Output with L type mounting bracket & Radome

For SMA-Female output outline drawing, please contact A-INFO.

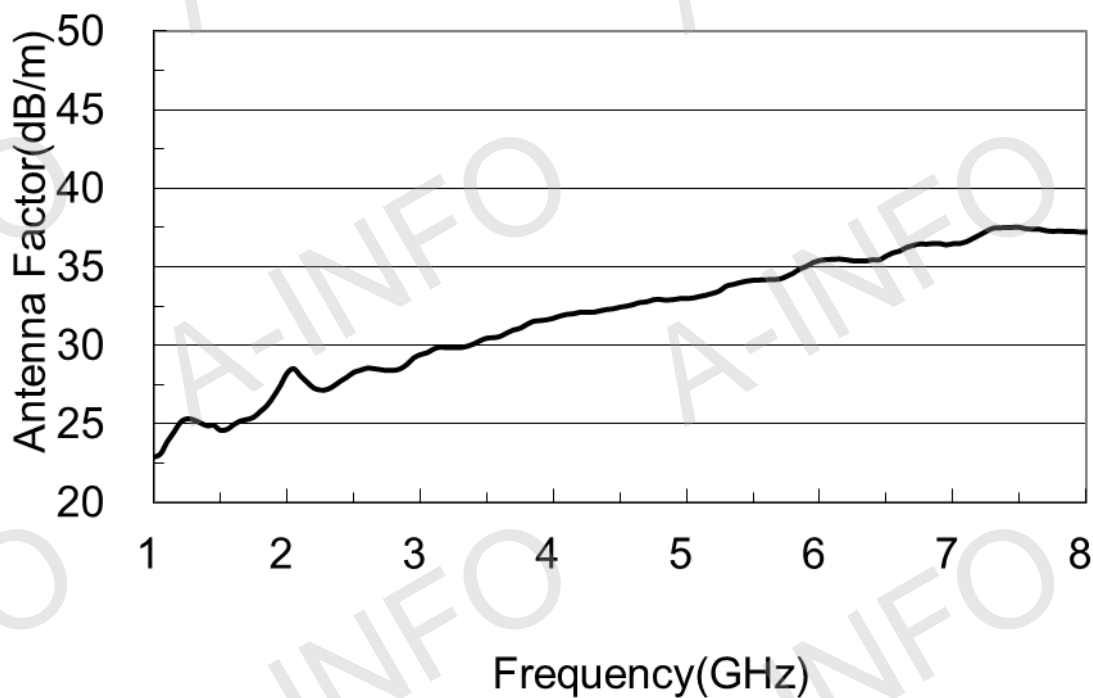


Test Results

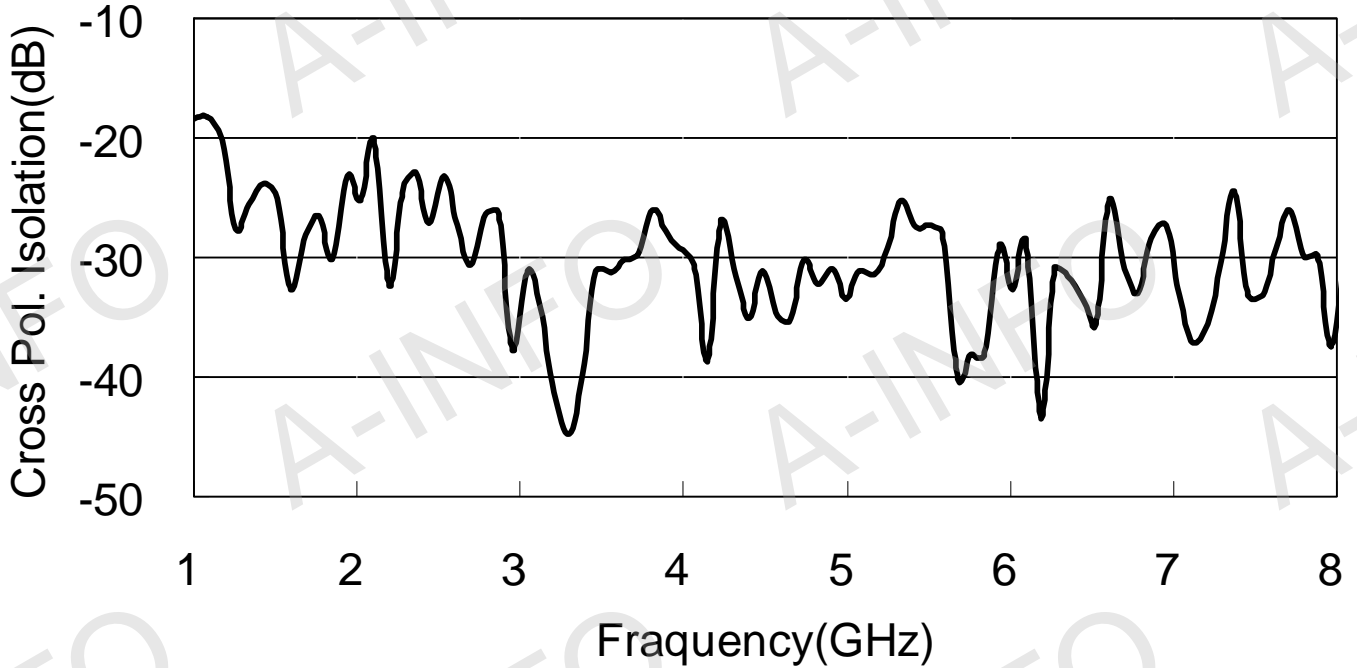
1. Gain



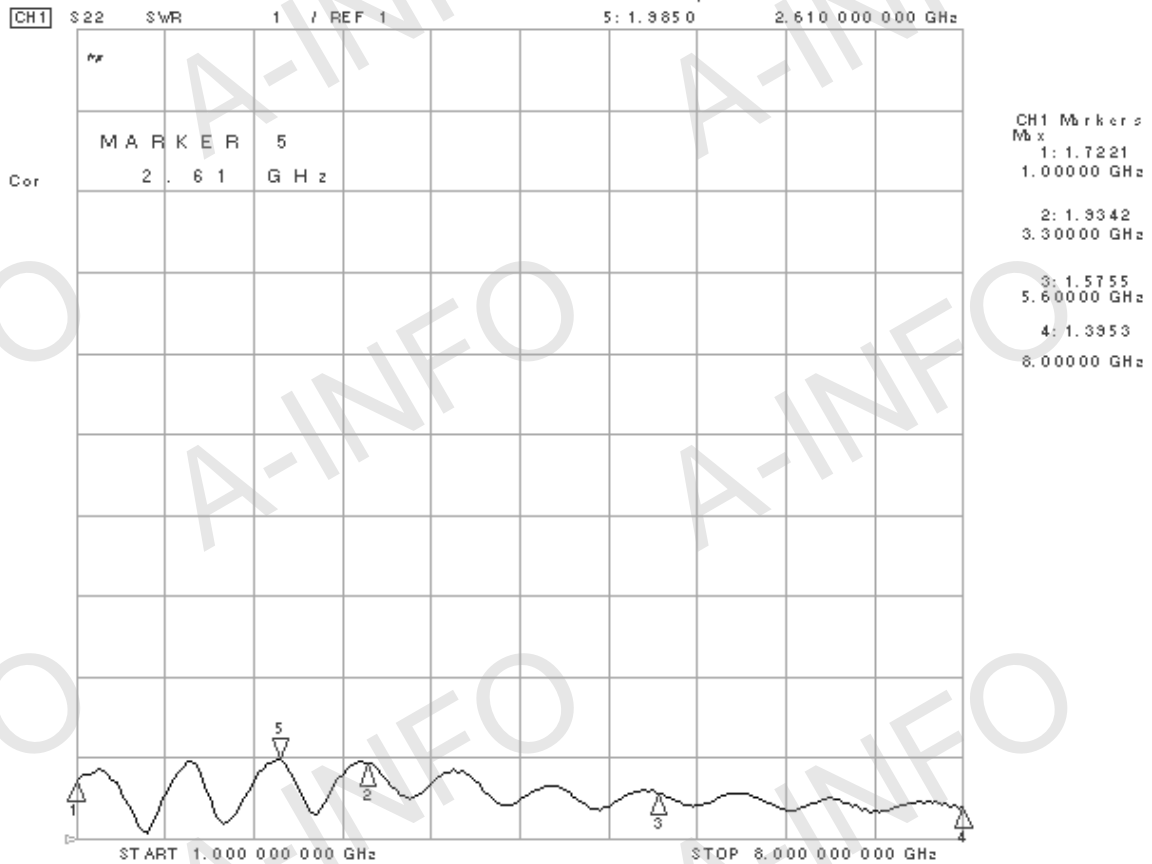
2. Antenna Factor



3. Cross Polarization Isolation



4. VSWR



5. Pattern

