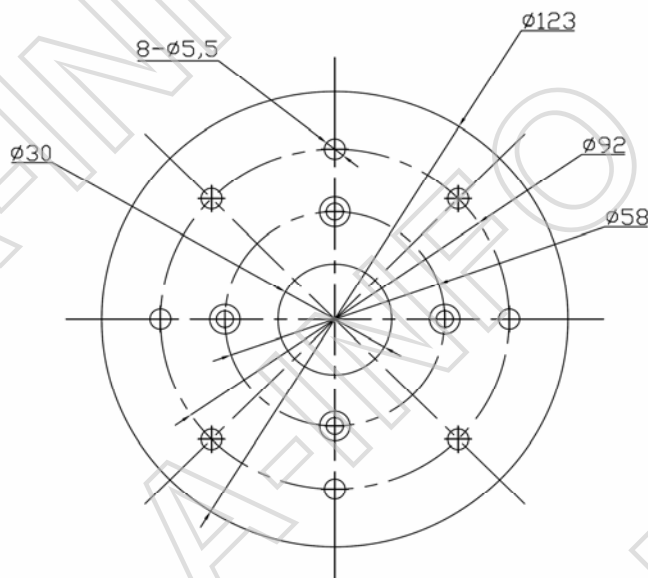
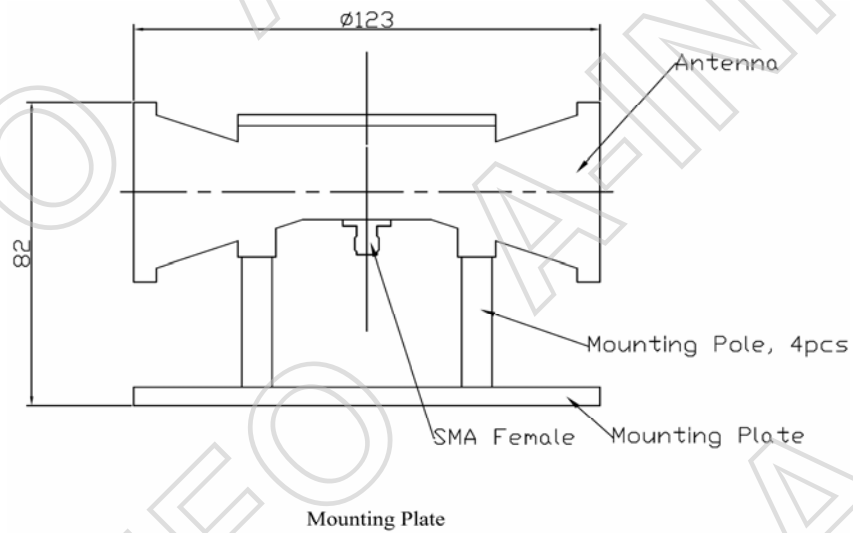


Technical Specification



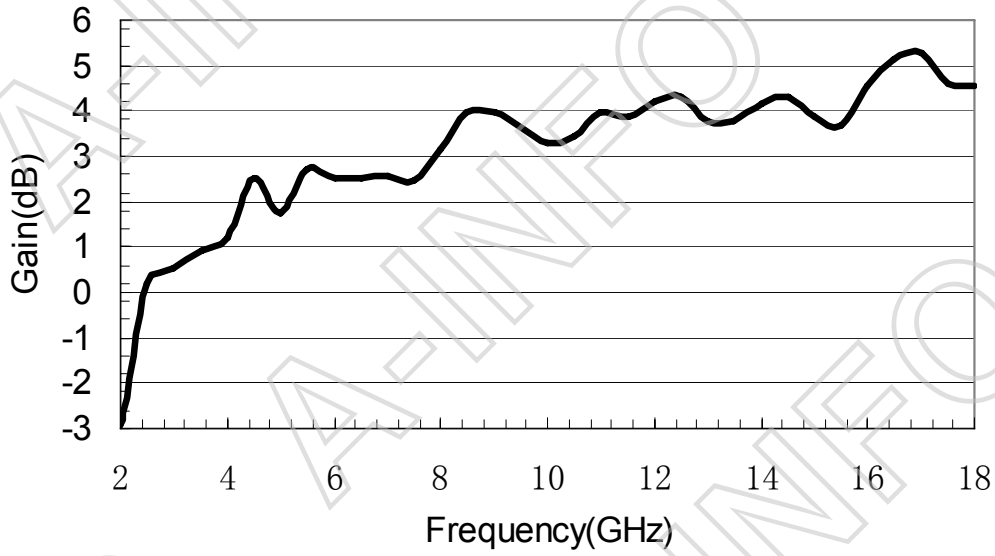
Frequency Range(GHz)	2.0 - 18.0
Polarization	Vertical
Gain(dB)	0 Typ.
VSWR	2.0:1 Typ.
	2.5:1 Max
Power(W)	50 CW
Connector	SMA-Female
Size(mm)	Φ123x82
Net Weight(Kg)	0.4 Around

Outline Drawing (Size: mm)

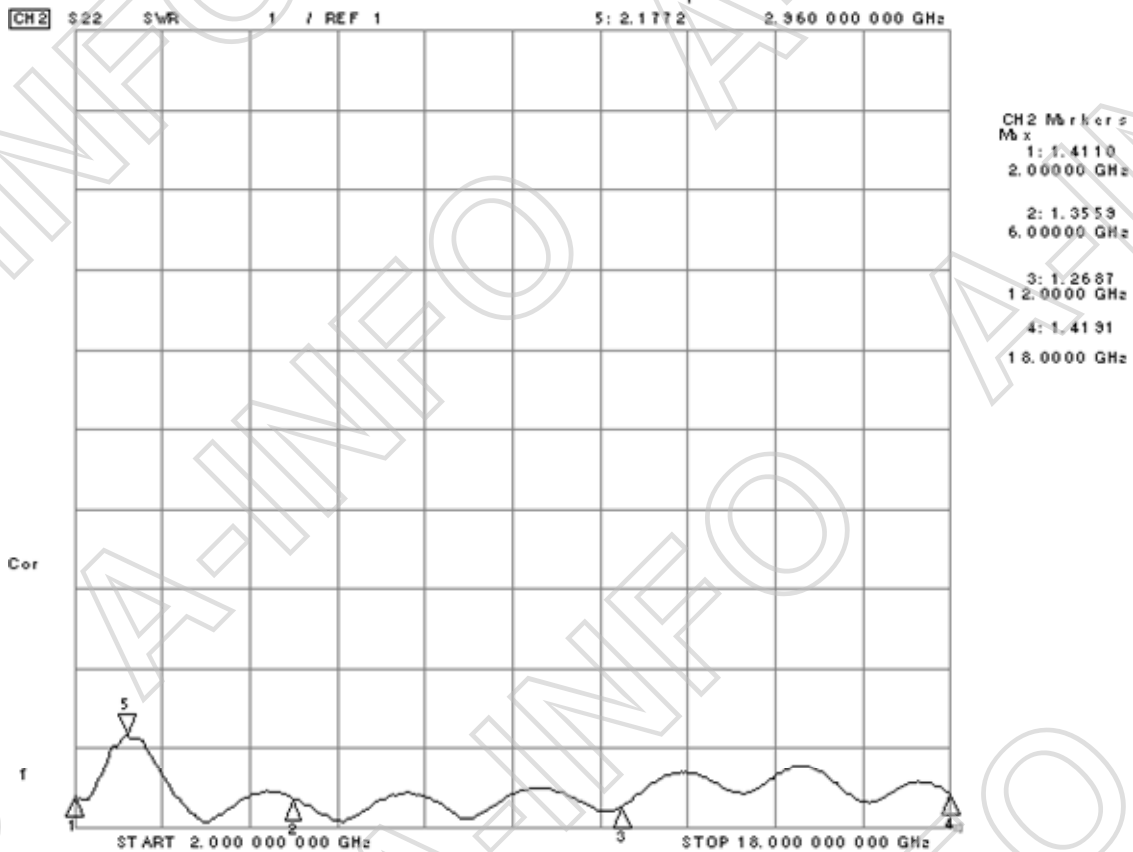


Test Result

1. Gain

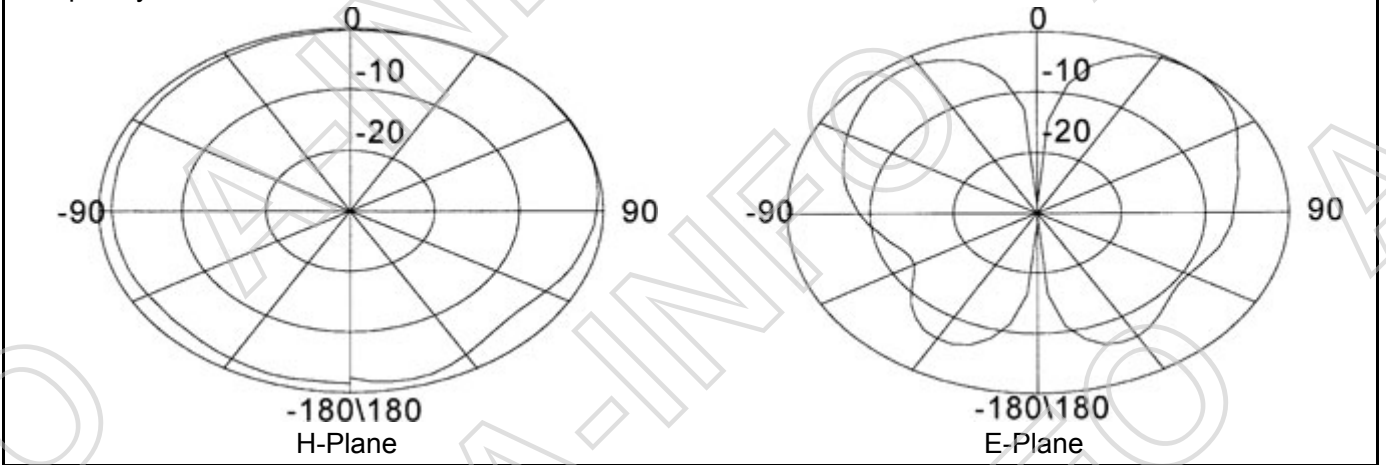


2. VSWR

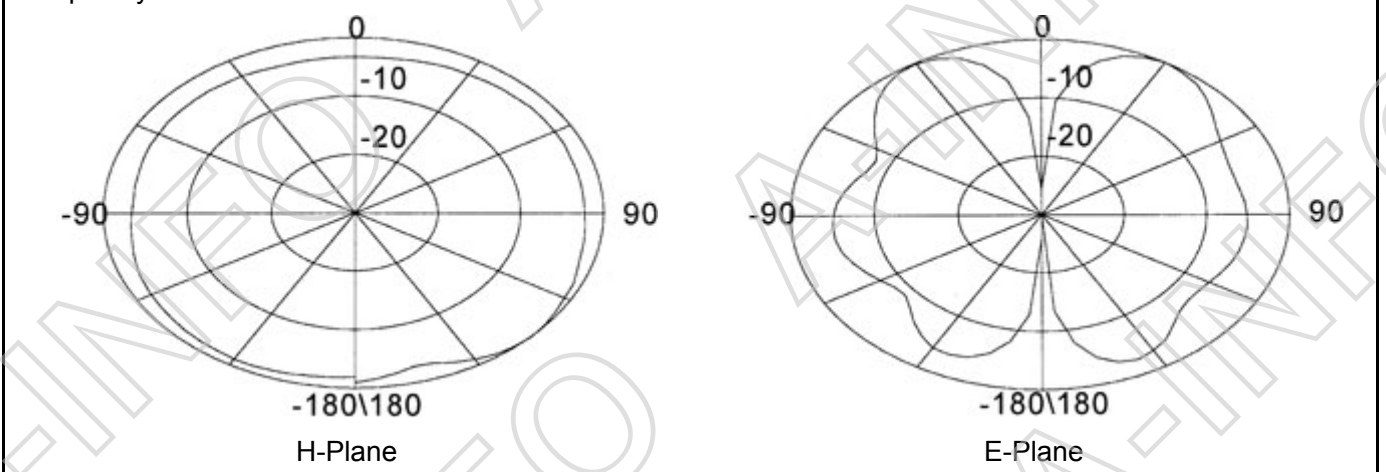


3. Pattern

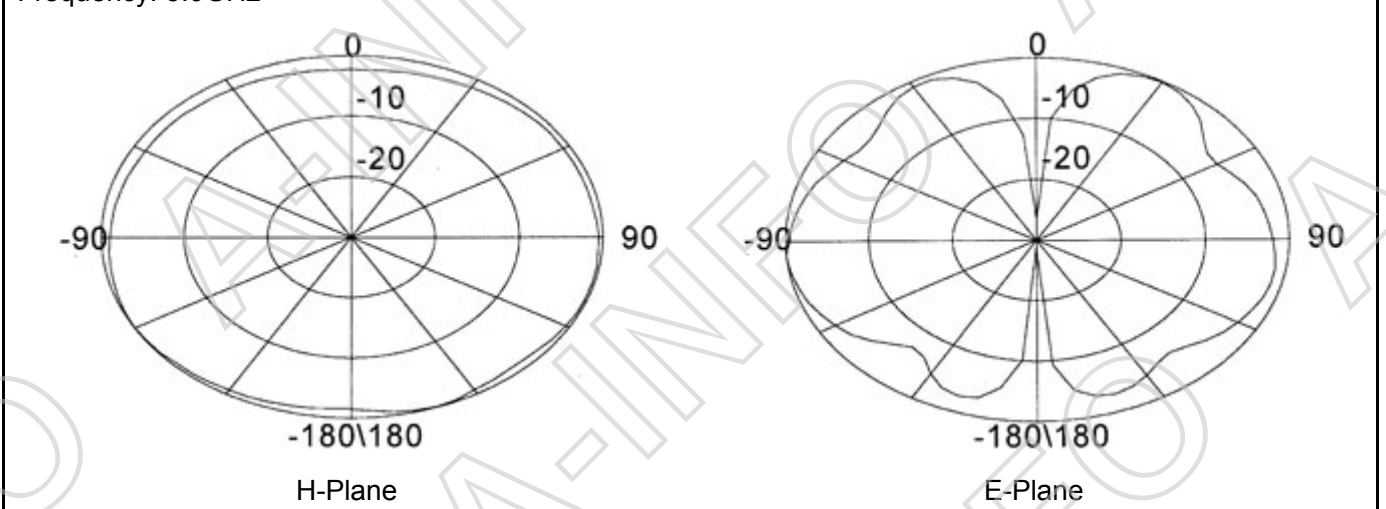
Frequency: 2.0GHz

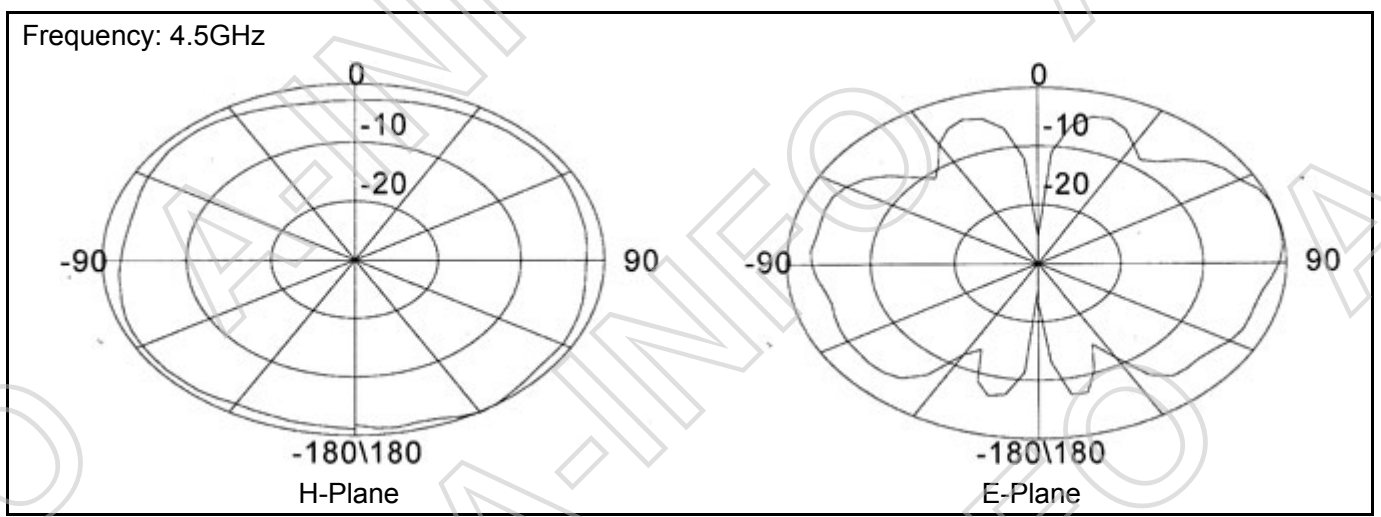
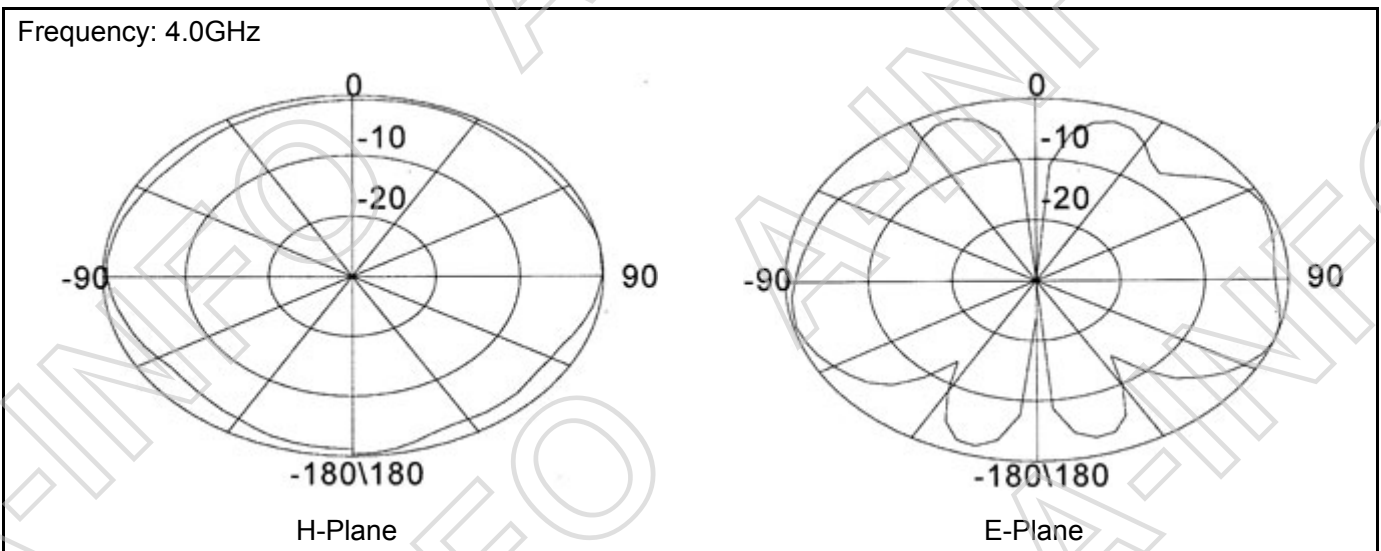
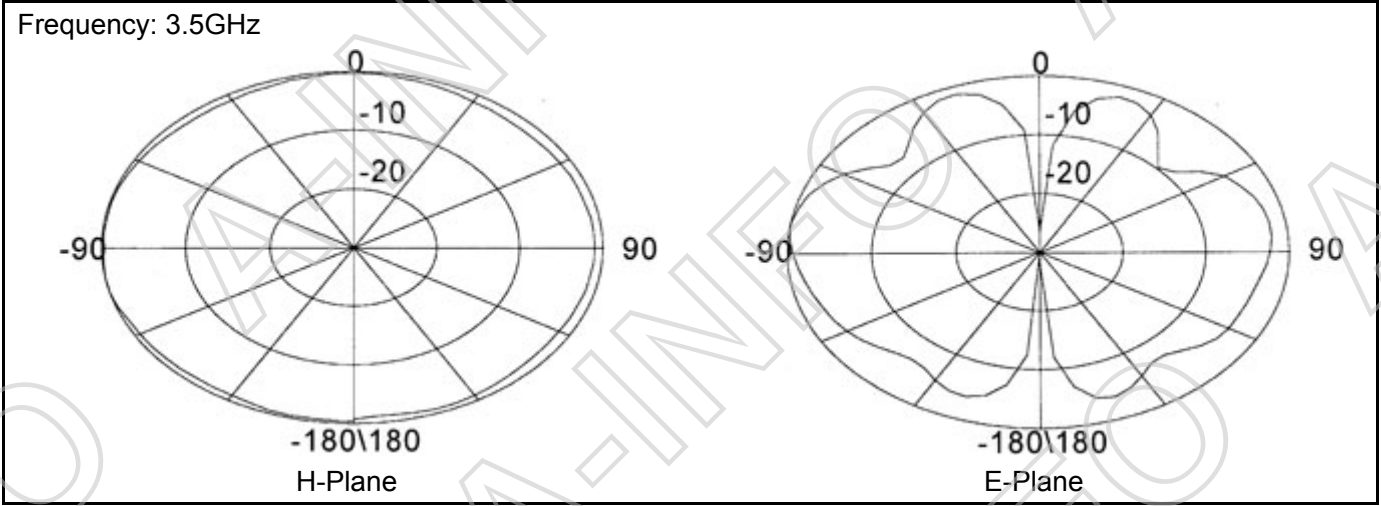


Frequency: 2.5GHz

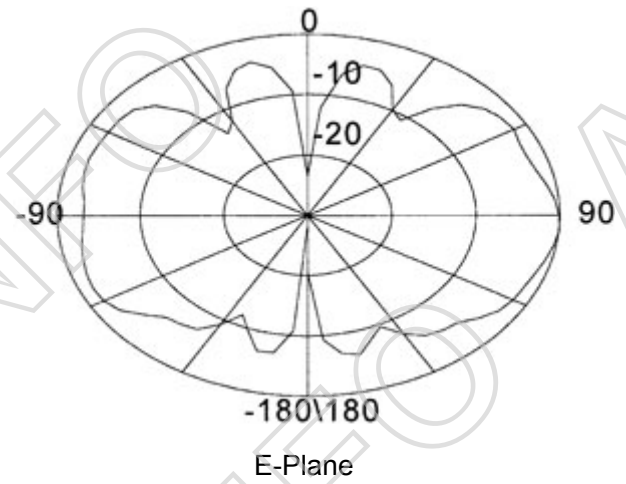
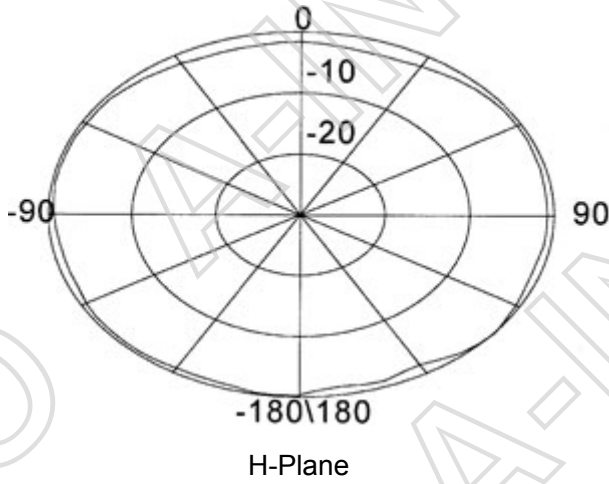


Frequency: 3.0GHz

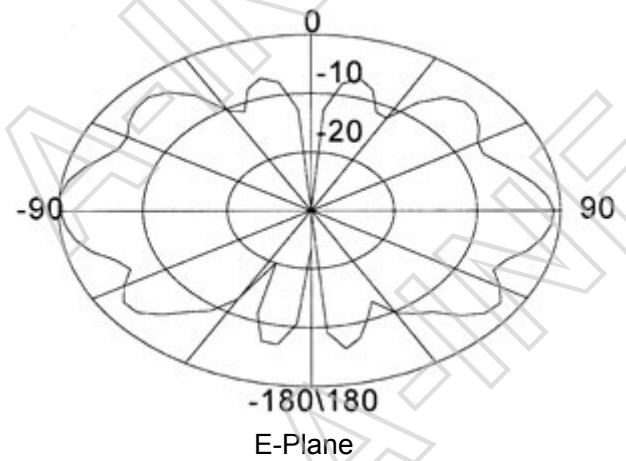
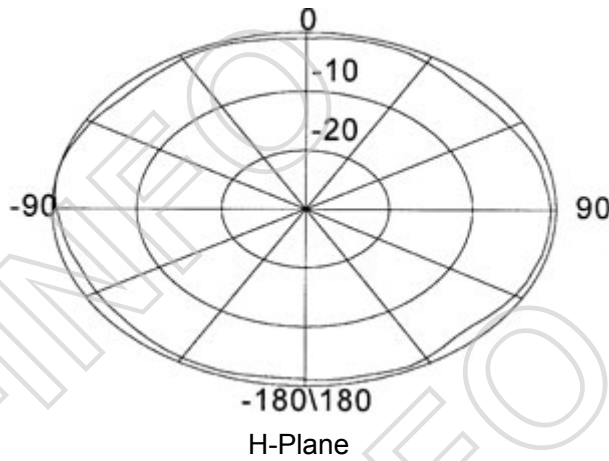




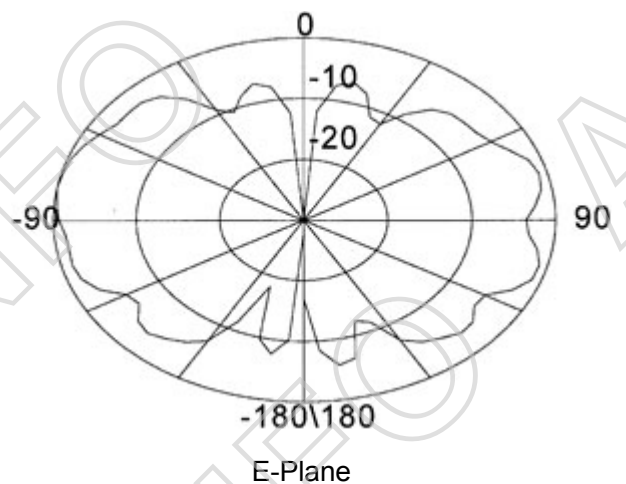
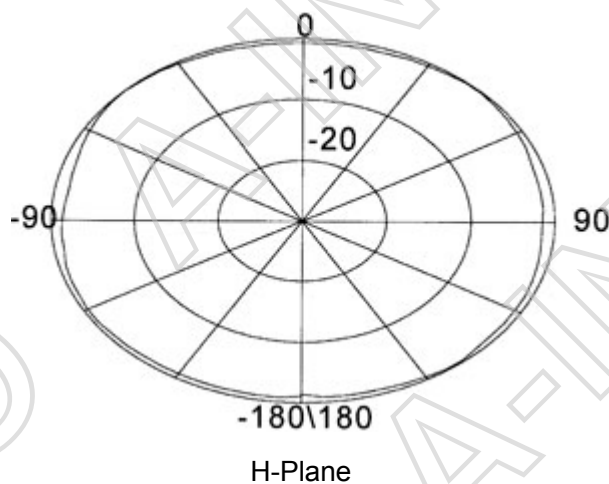
Frequency: 5.0GHz

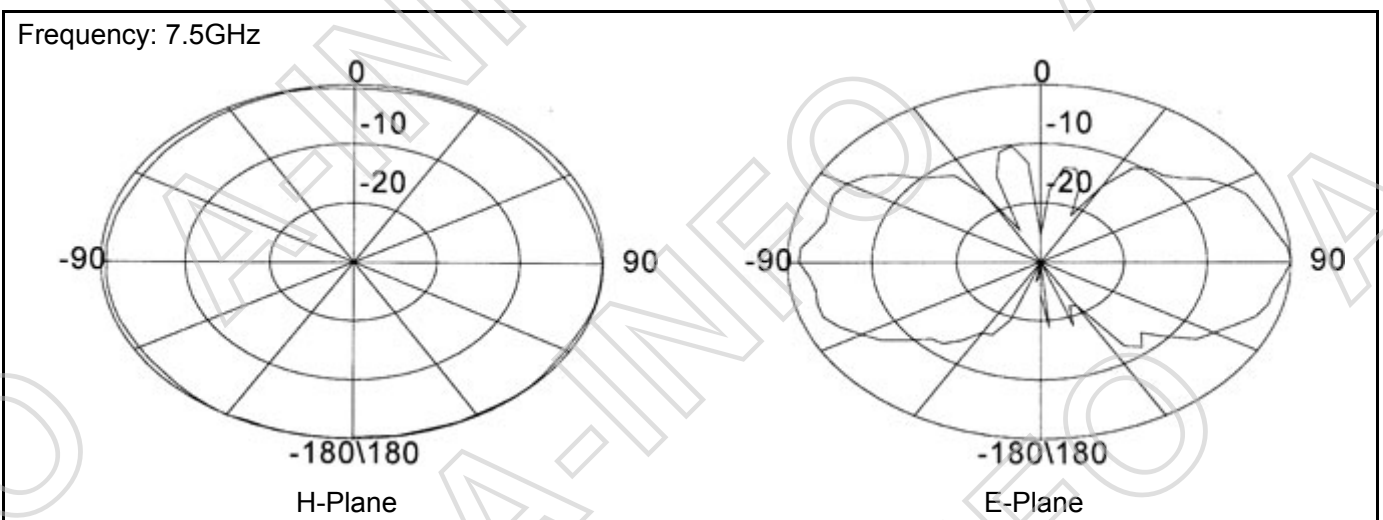
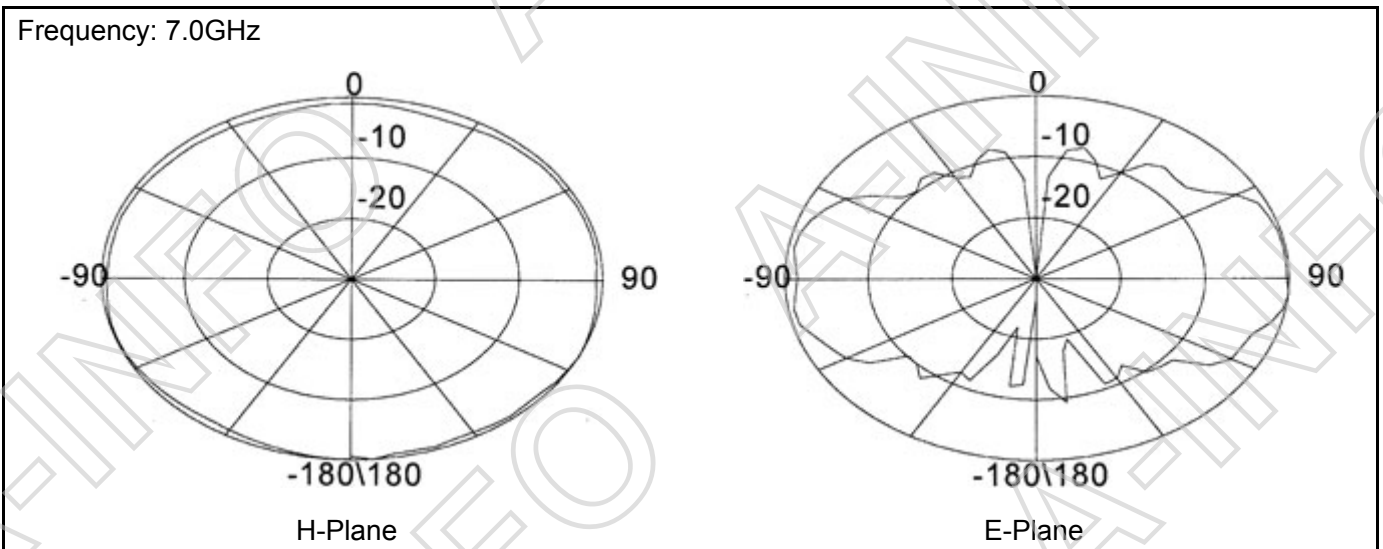
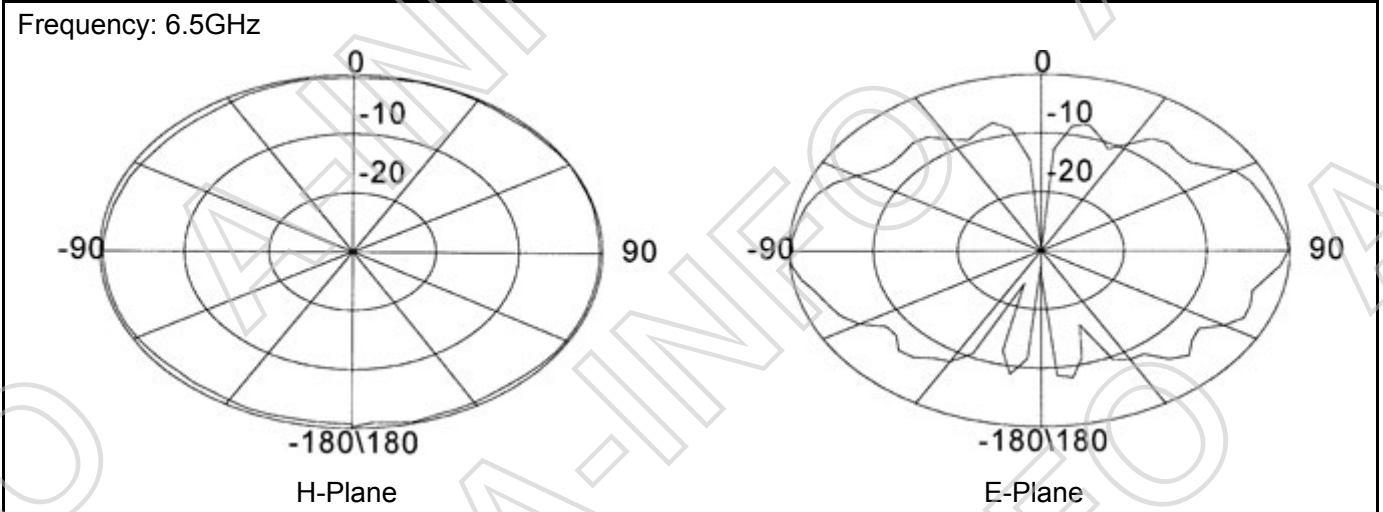


Frequency: 5.5GHz

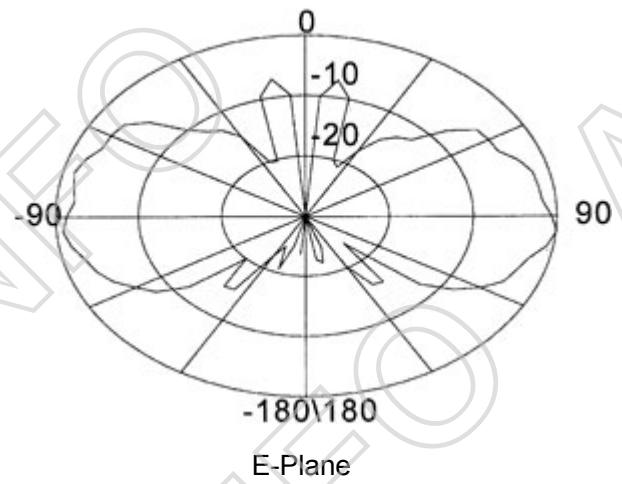
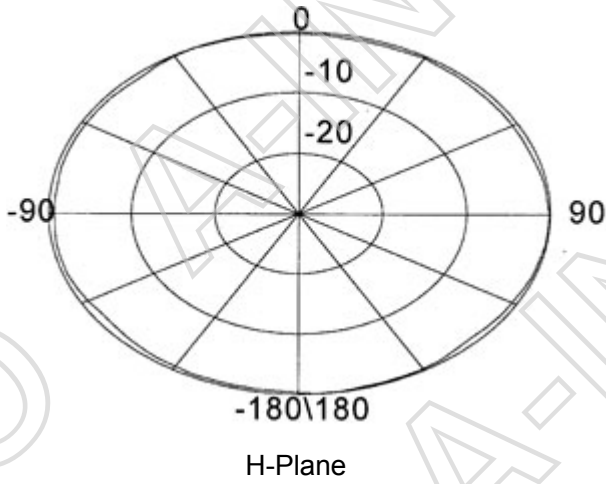


Frequency: 6.0GHz

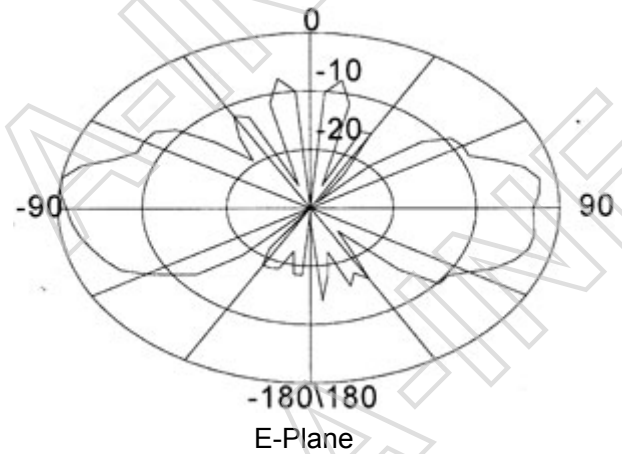
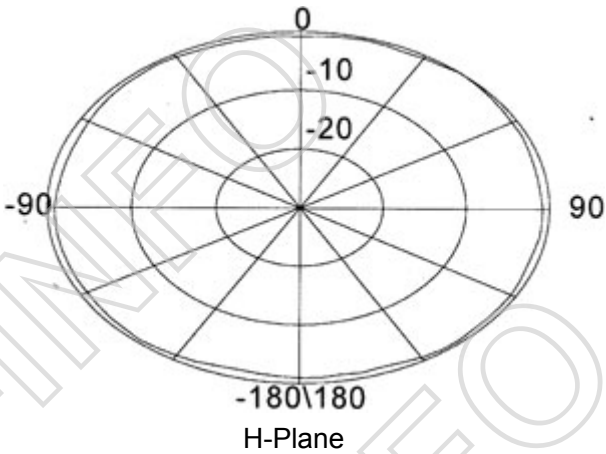




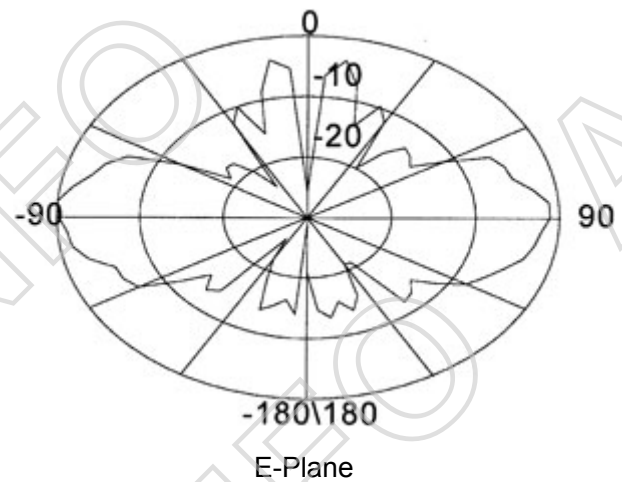
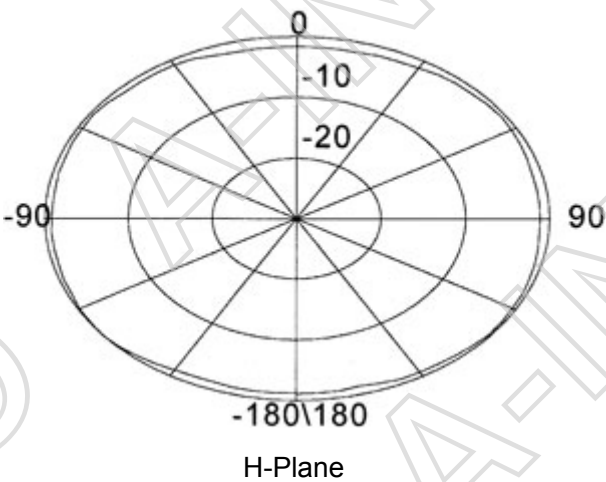
Frequency: 8.0GHz

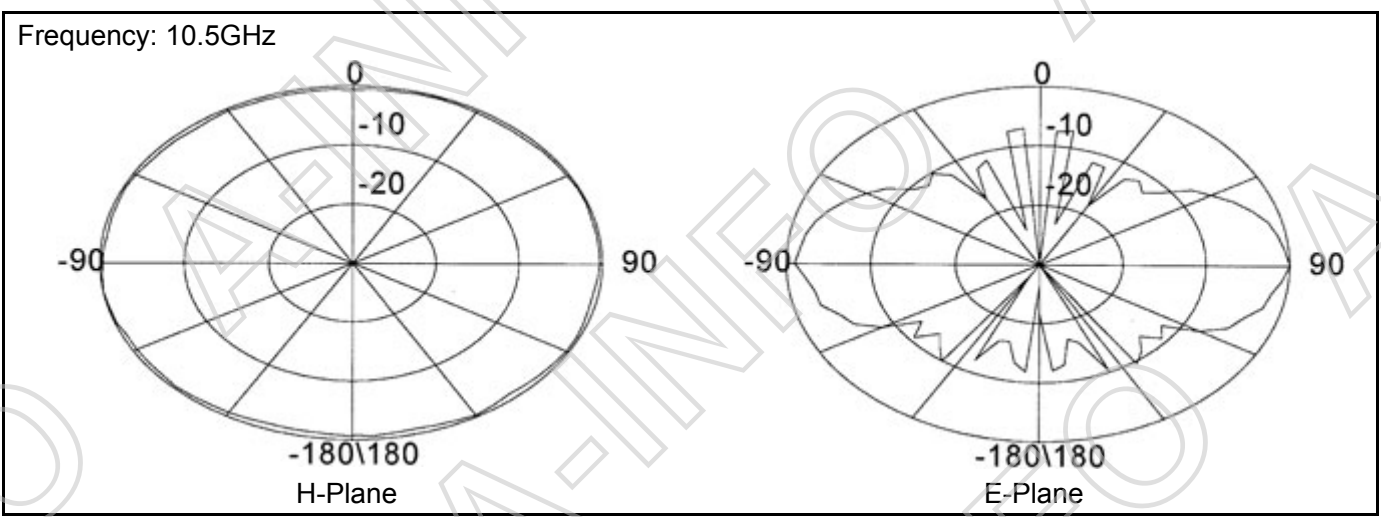
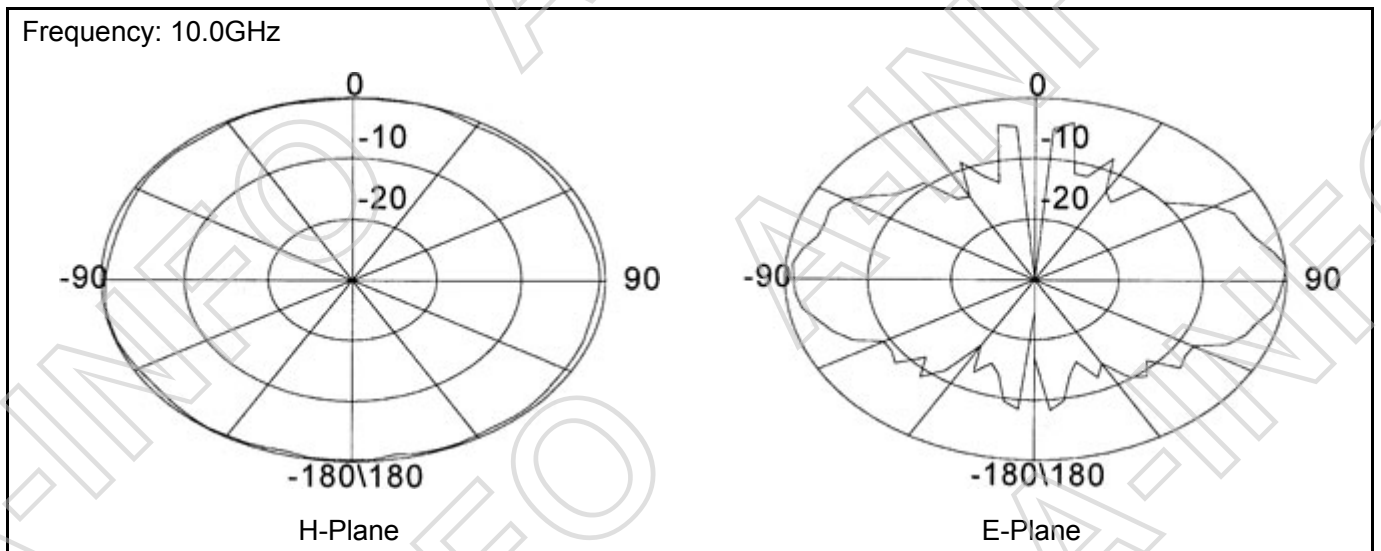
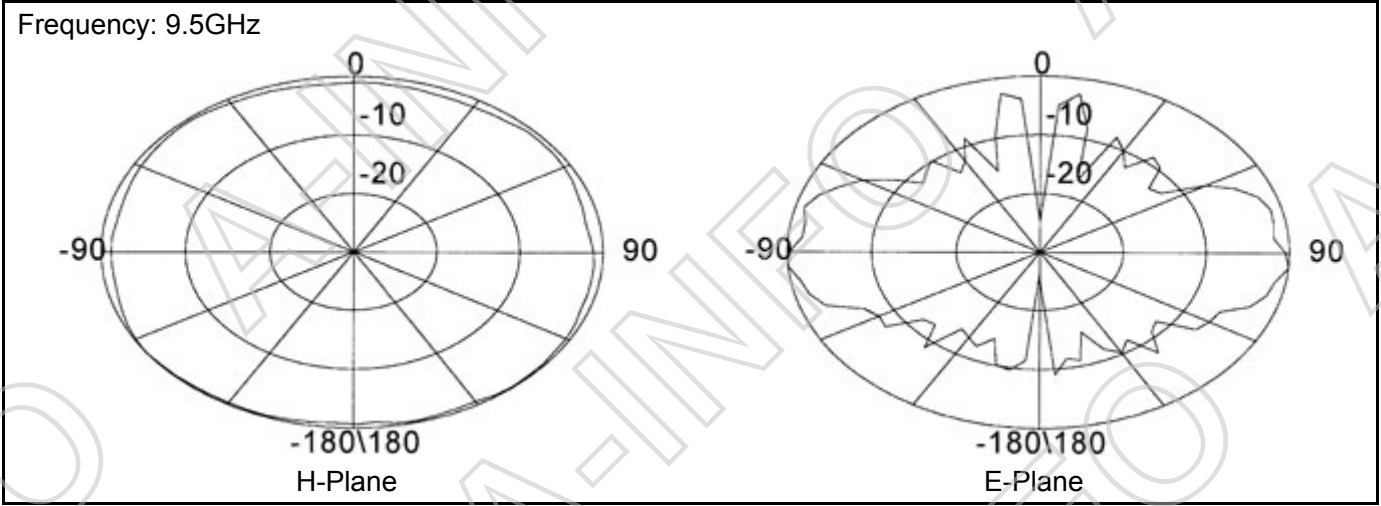


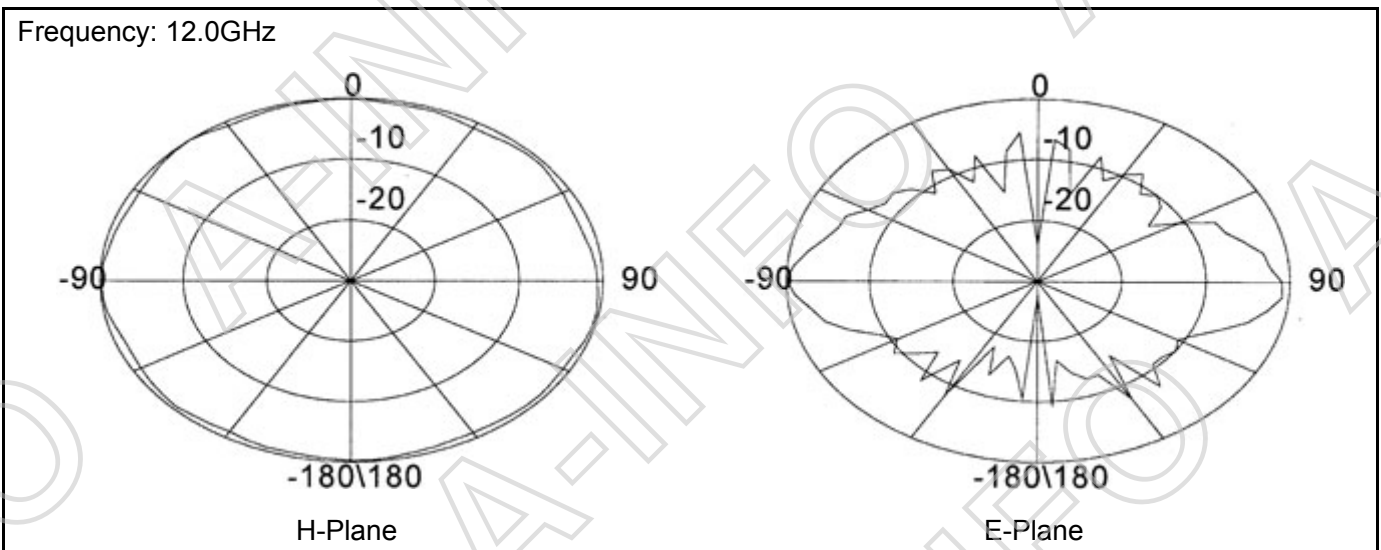
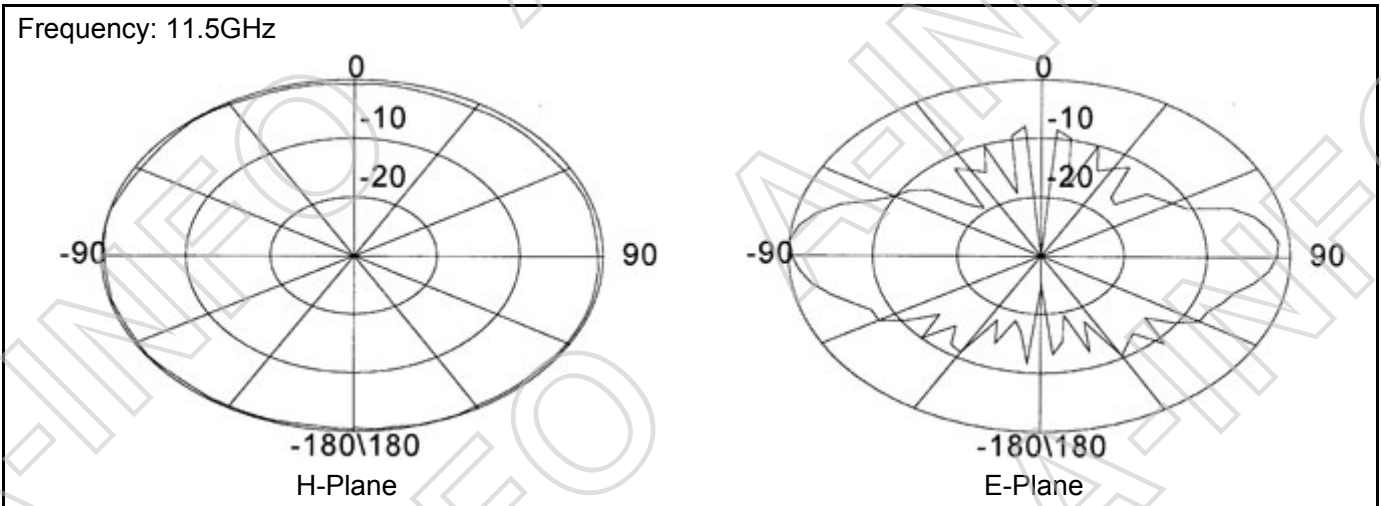
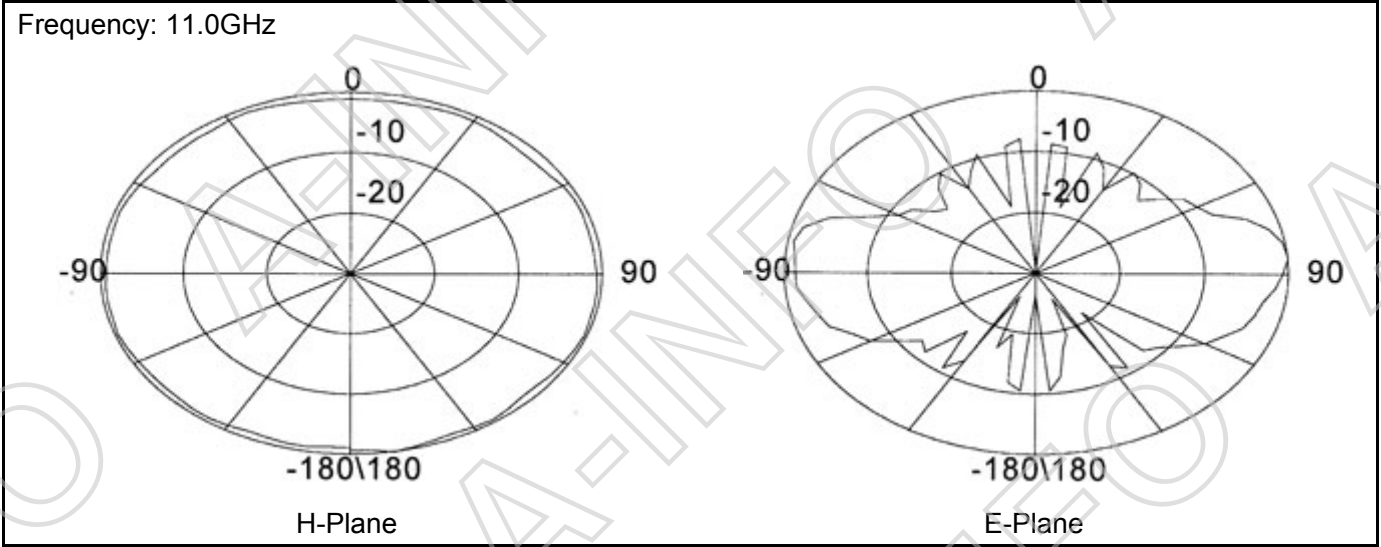
Frequency: 8.5GHz



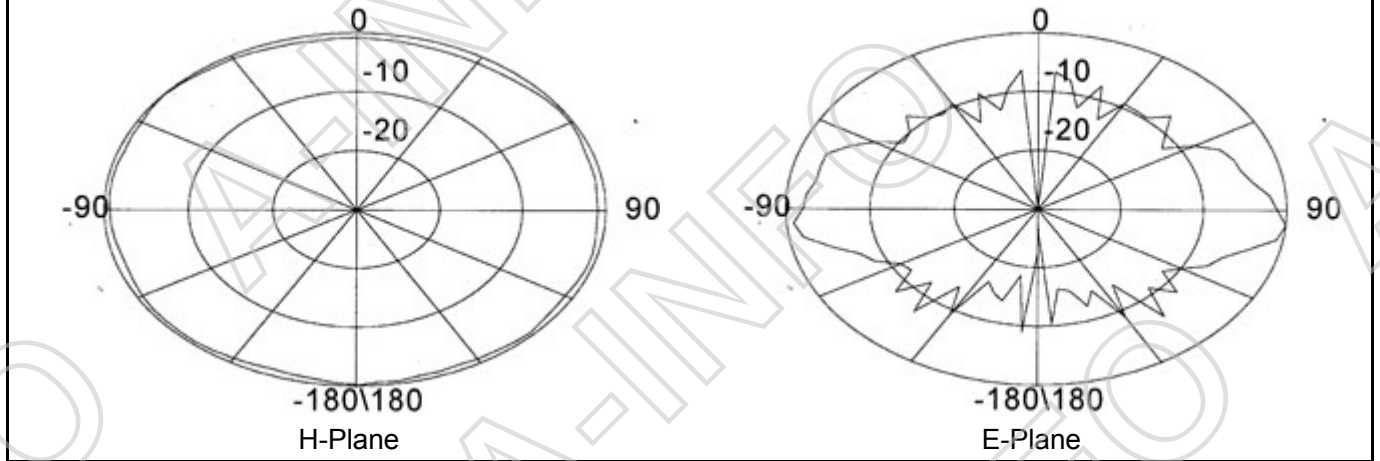
Frequency: 9.0GHz



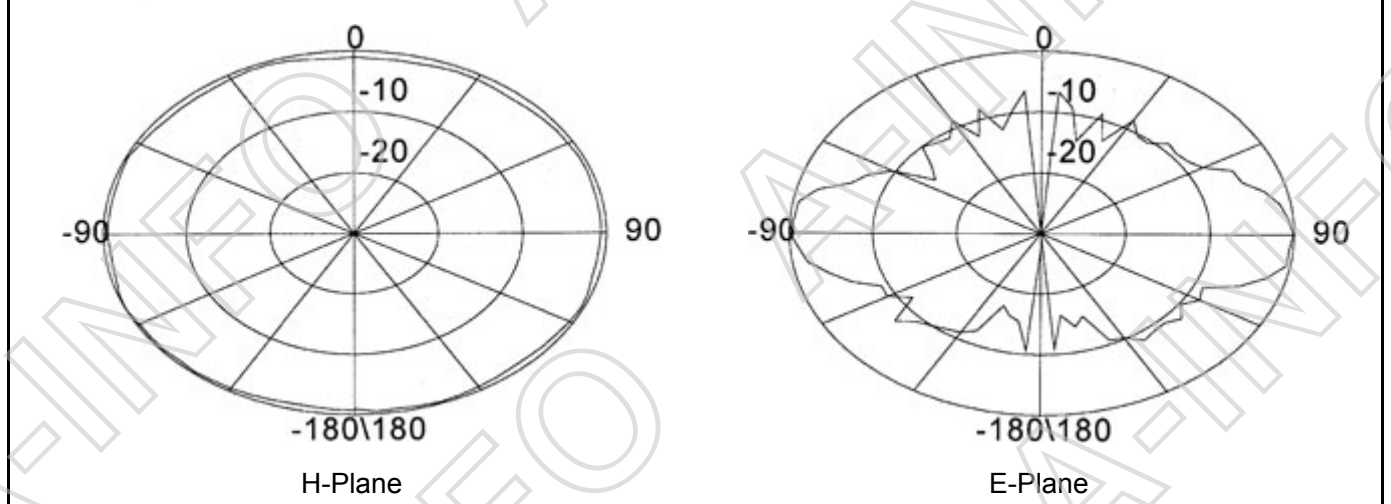




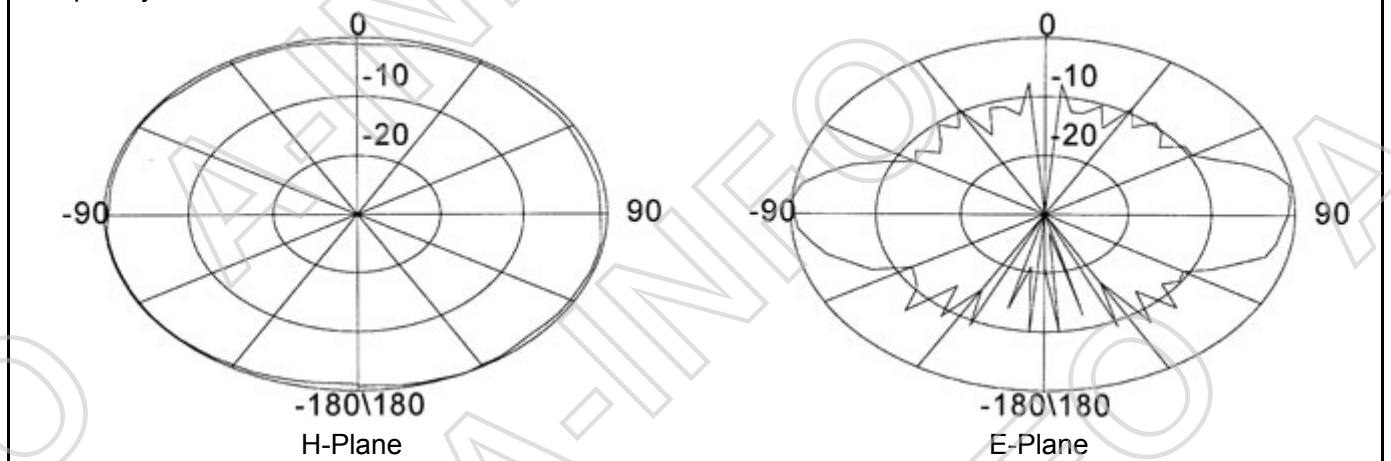
Frequency: 12.5GHz



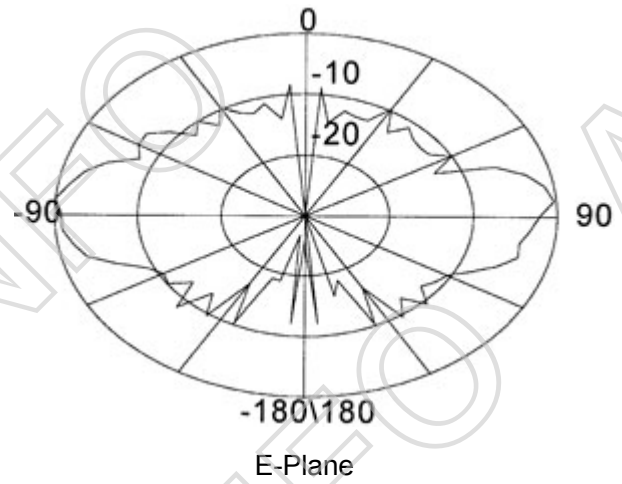
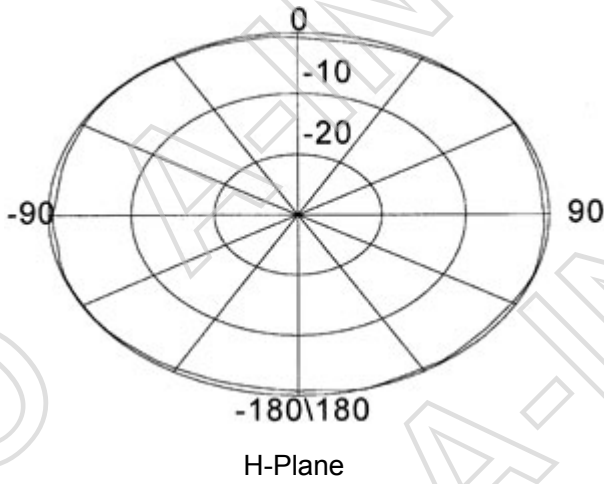
Frequency: 13.0GHz



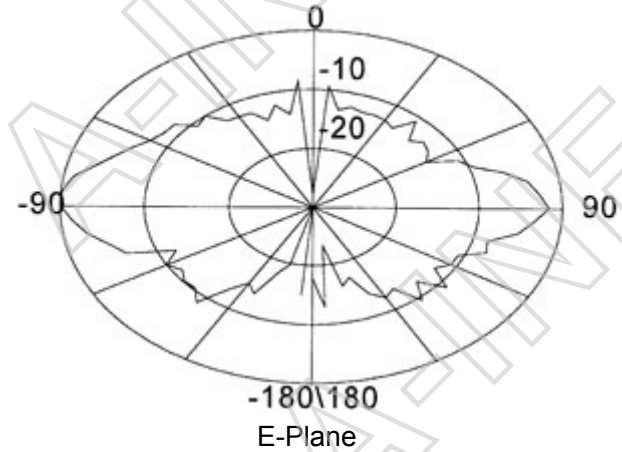
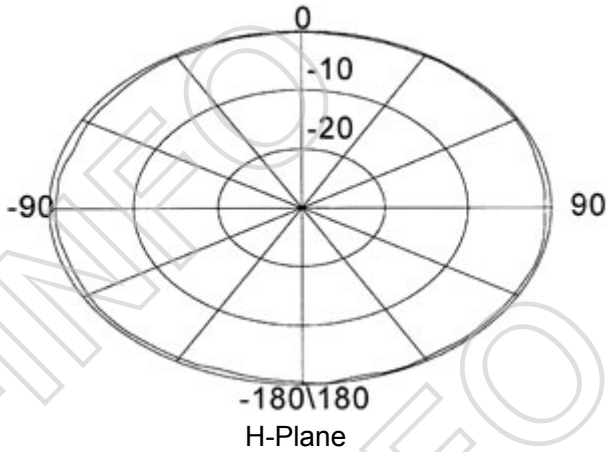
Frequency: 13.5GHz



Frequency: 14.0GHz



Frequency: 14.5GHz



Frequency: 15.0GHz

