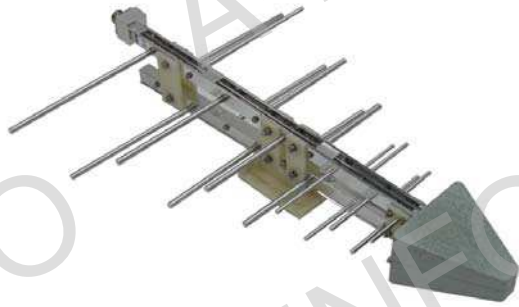
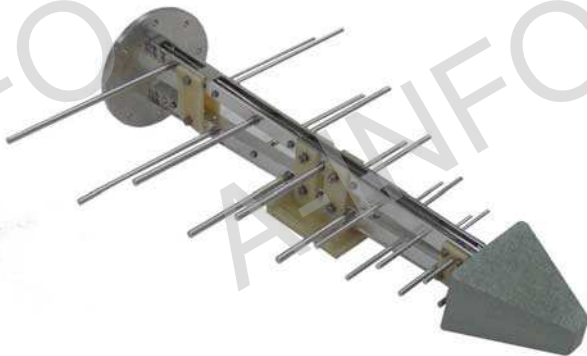


## Technical Specification



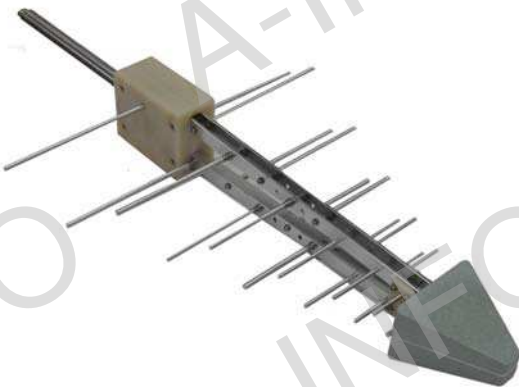
### P/N: DS-50800

Frequency Range(GHz)	0.5-8.0
Gain(dB)	7 Typ.
Polarization	Linear
3dB Beamwidth(deg)	110-40
VSWR	2.0 Typ.
	3.0 Max
Output	N-Female
Size(mm)	355 x 494.8
Net Weight(Kg)	0.7 Around



### P/N: DS-50800C

Frequency Range(GHz)	0.5-8.0
Gain(dB)	7 Typ.
Polarization	Linear
3dB Beamwidth(deg)	110-40
VSWR	2.0 Typ.
	3.0 Max
Output	N-Female
Size(mm)	355 x 487.1
Net Weight(Kg)	0.84 Around

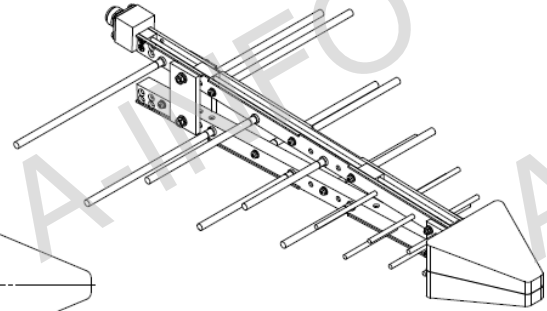
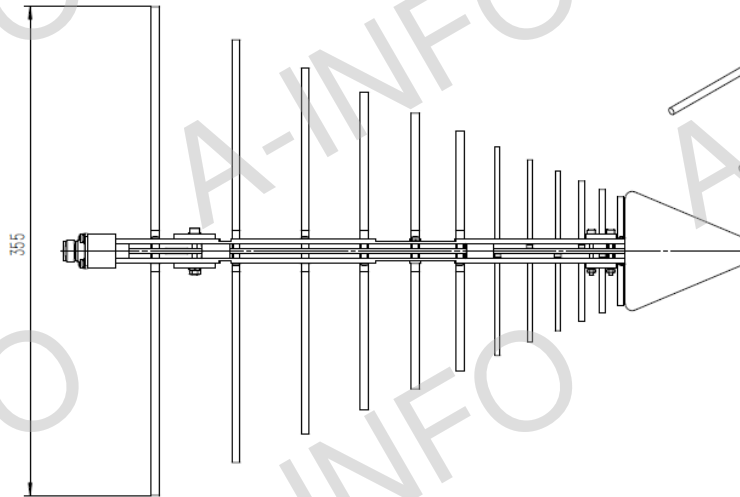
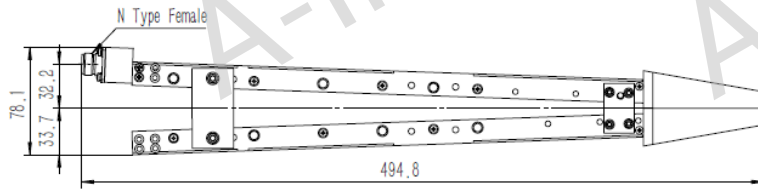


### P/N: DS-50800E

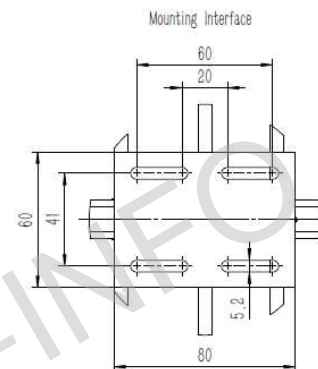
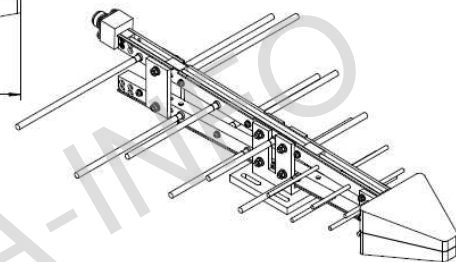
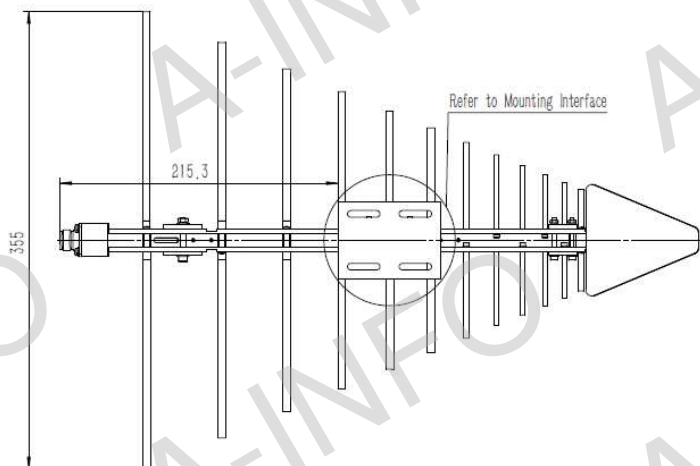
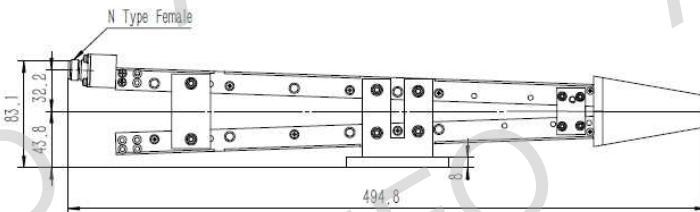
Frequency Range(GHz)	0.5-8.0
Gain(dB)	7 Typ.
Polarization	Linear
3dB Beamwidth(deg)	110-40
VSWR	2.0 Typ.
	3.0 Max
Output	N-Female
Size(mm)	355 x 688.5
Net Weight(Kg)	1.2 Around

## Outline Drawing (Size: mm)

DS-50800



## DS-50800 with Mounting Bracket



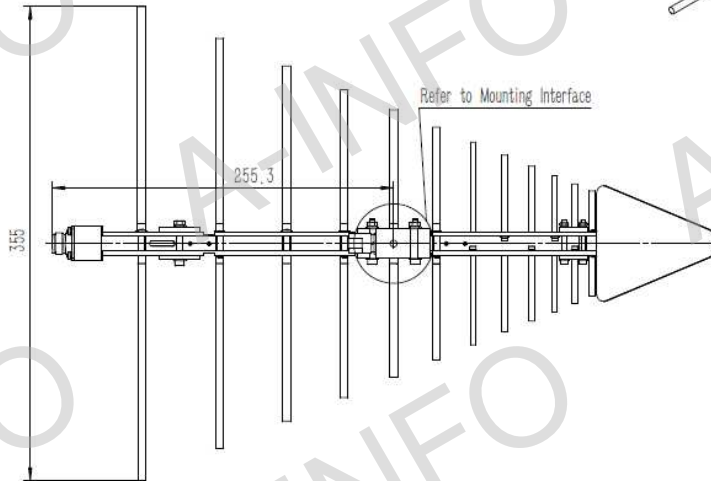
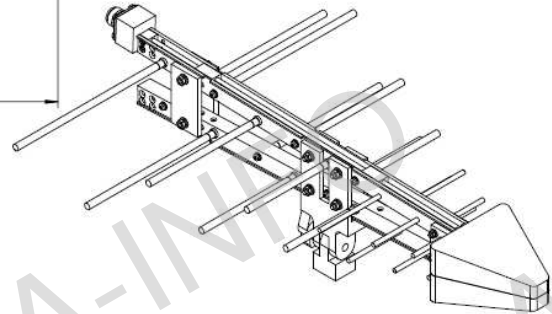
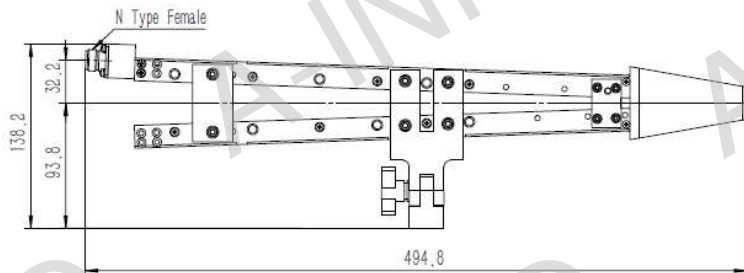
AINFO Inc.

Page 2 of 9

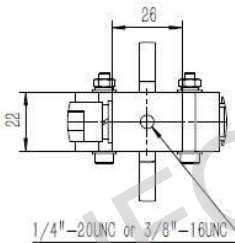
China(Beijing): Tel: (+86) 10-6266-7326, (+86) 10-6266-7327 Fax: (+86) 10-6266-7379  
 China(Chengdu): Tel: (+86) 28-8519-2786, (+86) 28-8519-3044 Fax: (+86) 28-8519-3068  
 USA: Tel: (+1) 949-639-9688, (+1) 949-639-9608 Fax: (+1) 949-639-9670

Website: [www.ainfoinc.com](http://www.ainfoinc.com)  
 Email: [sales@ainfoinc.com](mailto:sales@ainfoinc.com)

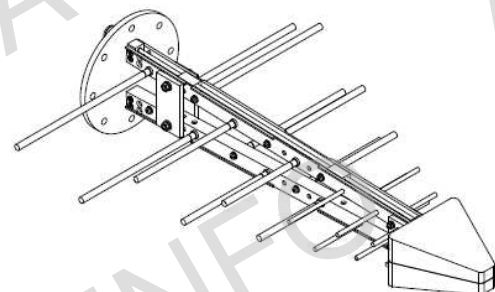
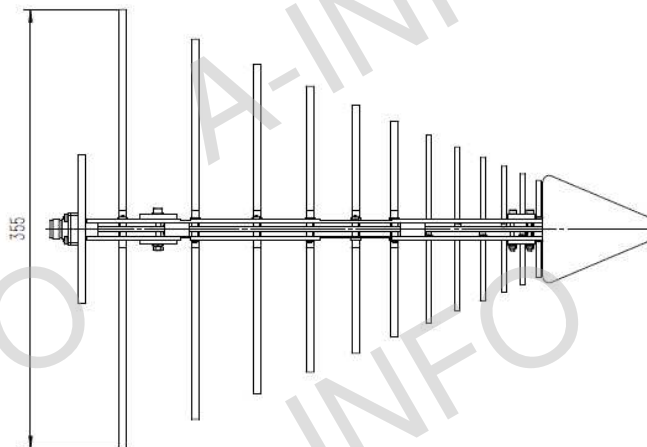
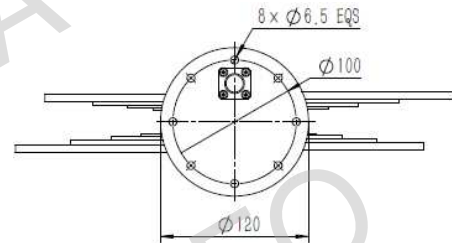
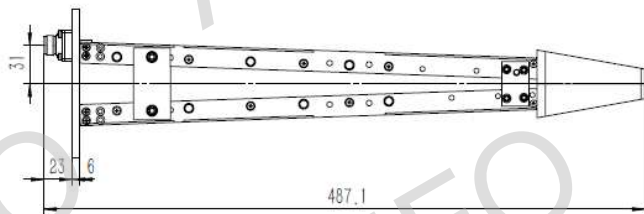
## DS-50800 with Mounting Bracket for Tripod Application



Mounting Interface

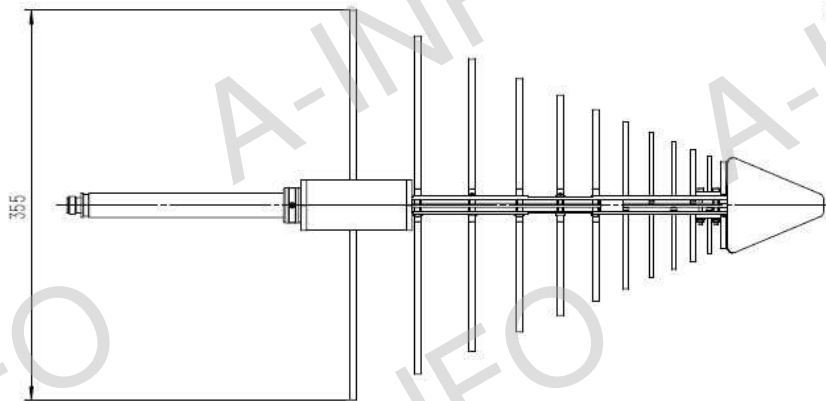
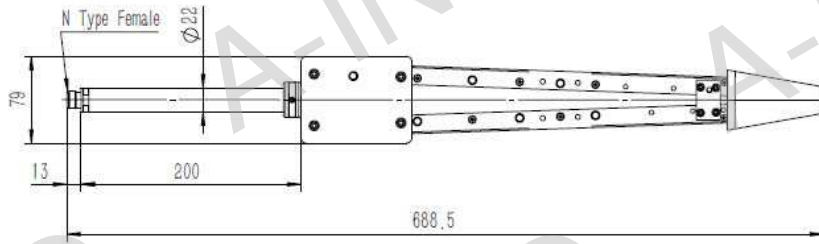


## DS-50600C



## AINFO Inc.

DS-50800E



AINFO Inc.

Page 4 of 9

China(Beijing):  
China(Chengdu):  
USA :

Tel: (+86) 10-6266-7326,  
Tel: (+86) 28-8519-2786,  
Tel: (+1) 949-639-9688,

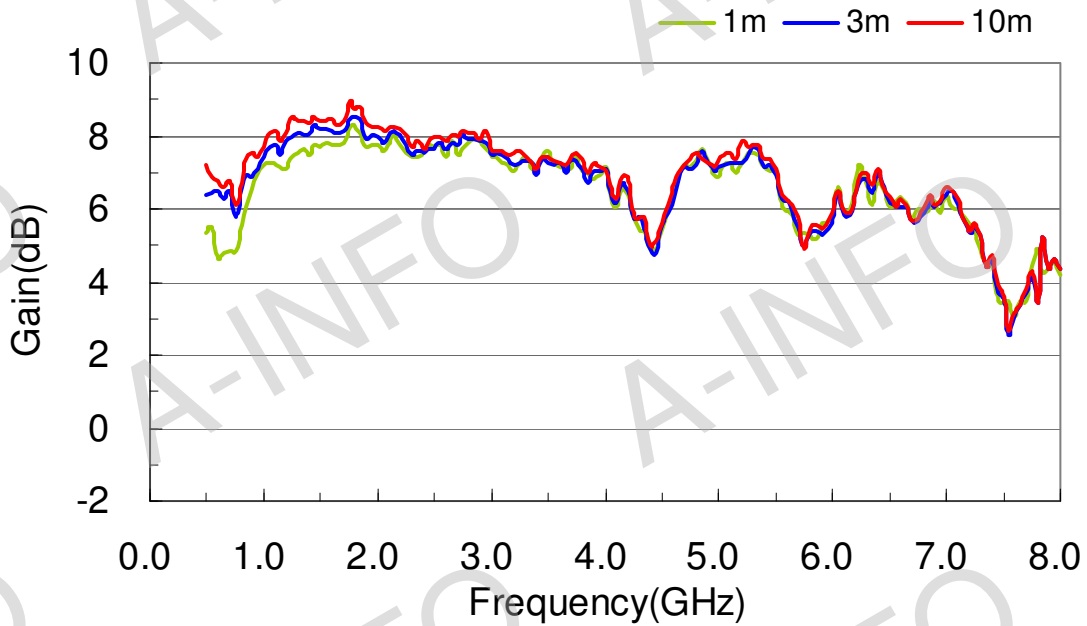
(+86) 10-6266-7327  
(+86) 28-8519-3044  
(+1) 949-639-9608

Fax: (+86) 10-6266-7379  
Fax: (+86) 28-8519-3068  
Fax: (+1) 949-639-9670

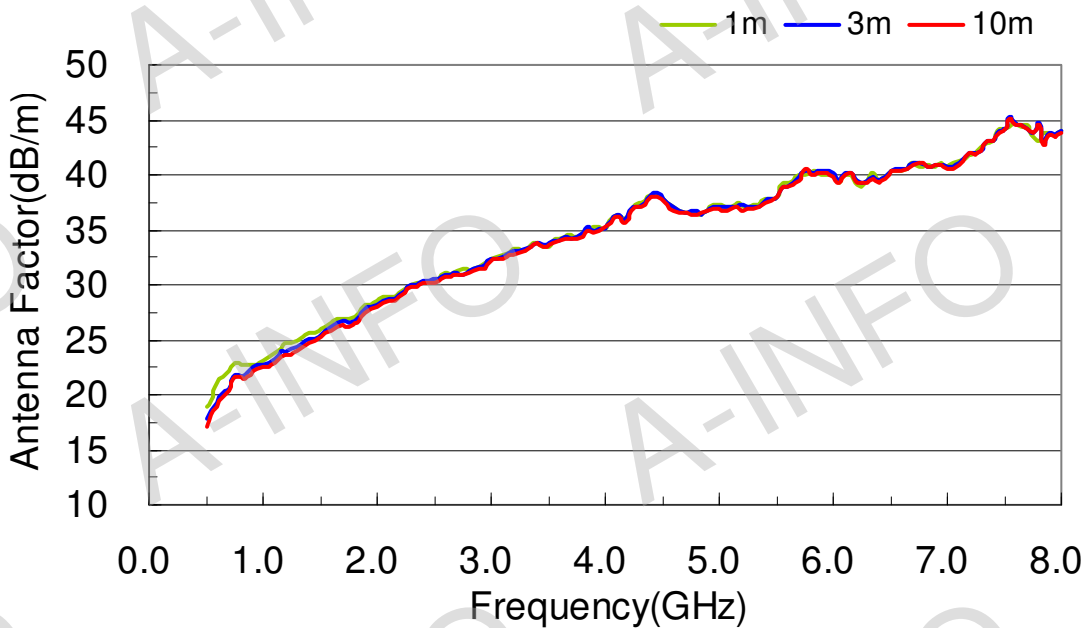
Website: [www.ainfoinc.com](http://www.ainfoinc.com)  
Email: [sales@ainfoinc.com](mailto:sales@ainfoinc.com)

## Test Results

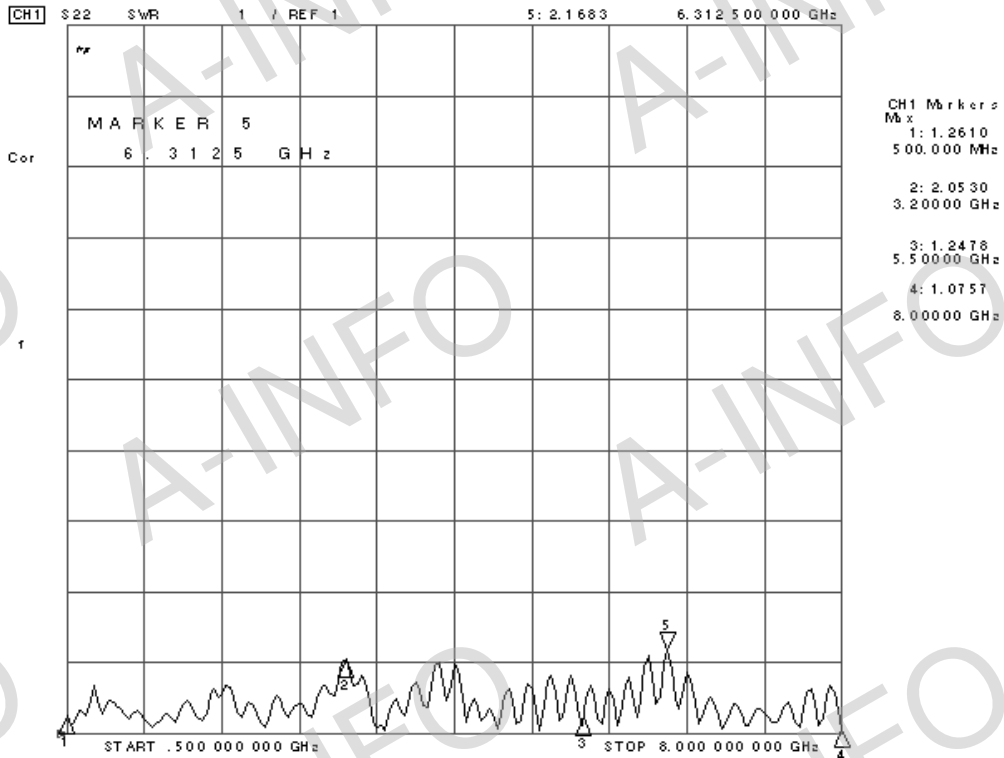
### 1. Gain



### 2. Antenna Factor



### 3. VSWR



### 4. Pattern

