

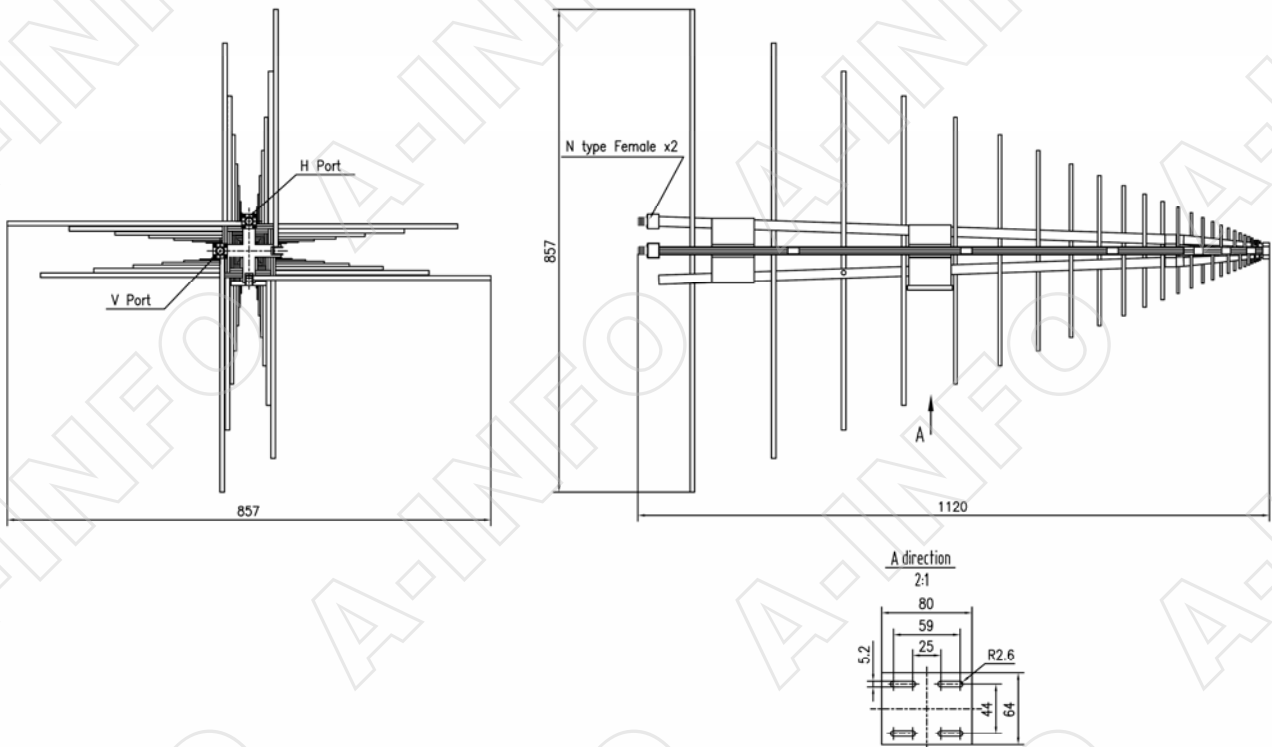
Technical Specification



The picture is for reference only.

Frequency Range(GHz)	0.2 - 3.0
Gain(dB)	7 Typ.
Polarization	Dual Pol.
VSWR	2.0:1 Typ.
Connector	N -Female
Size(mm)	857x857x1120
Net Weight(Kg)	4.0 Around

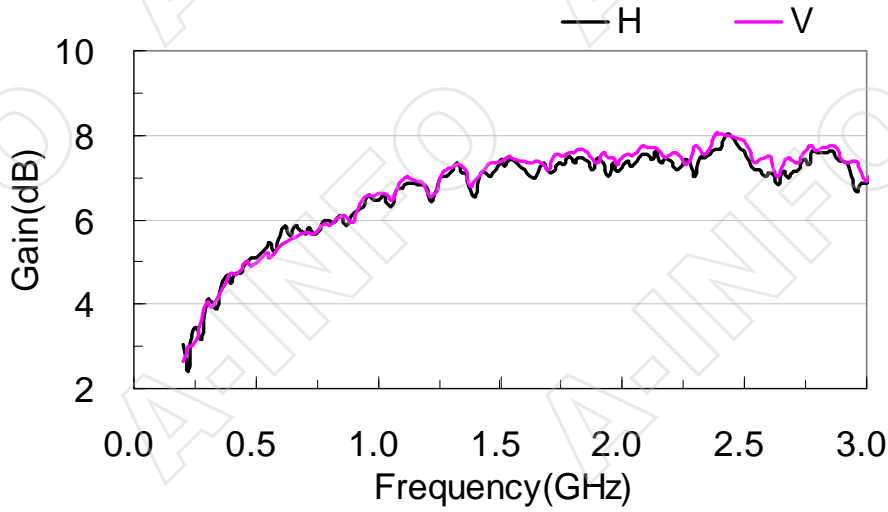
Outline Drawing (Size: mm)



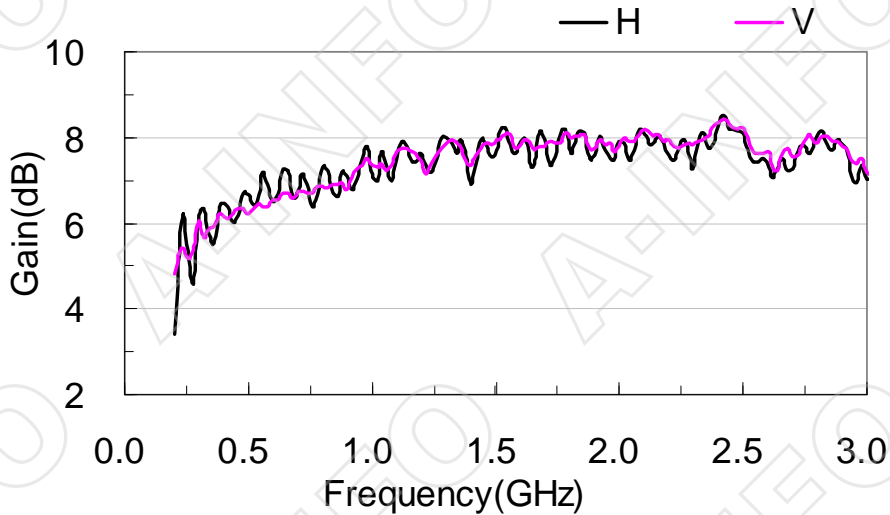
Test Results

1. Gain

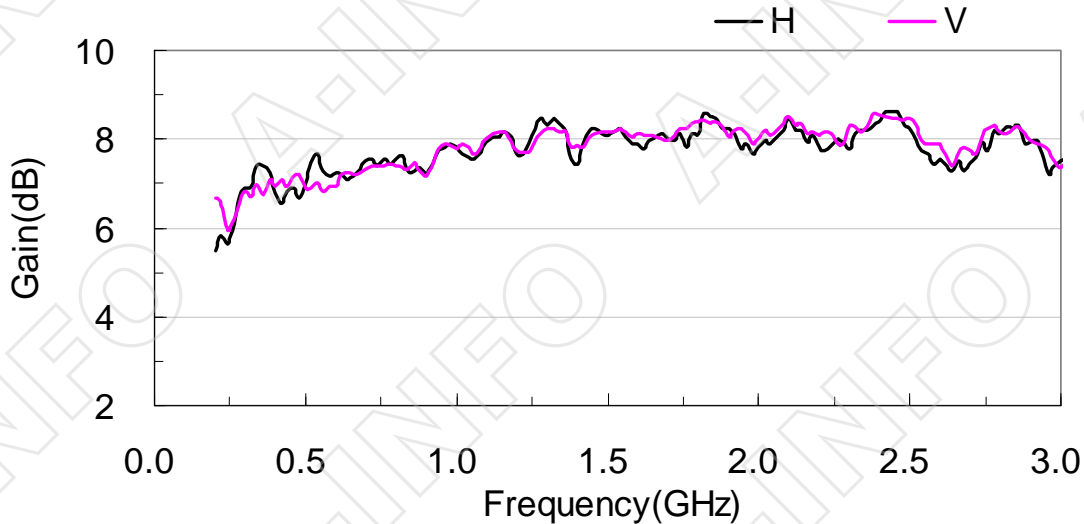
Gain at 1 m



Gain at 3 m

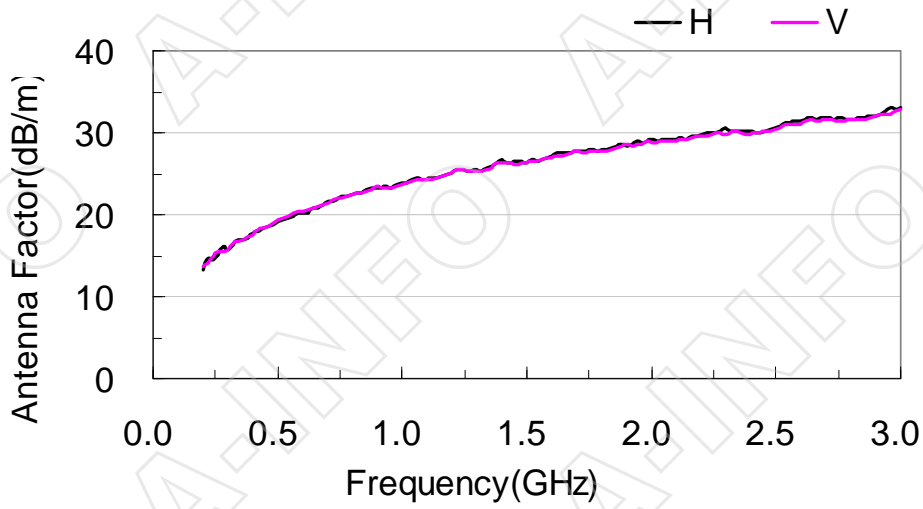


Gain at 10 m

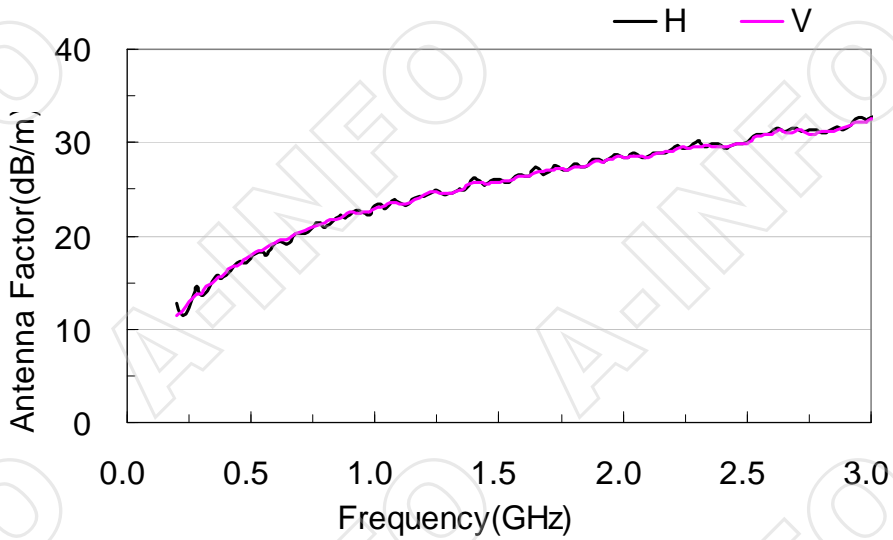


2. Antenna Factor

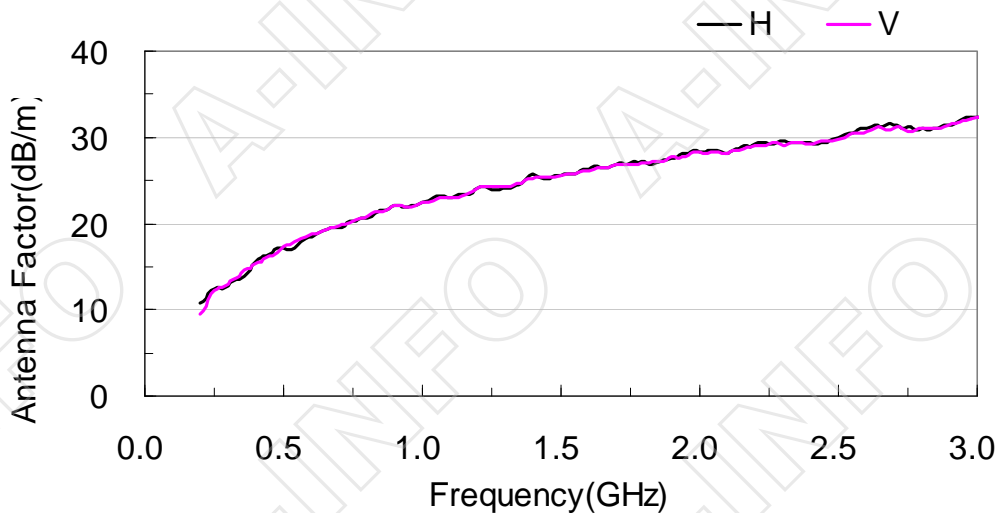
AF at 1 m



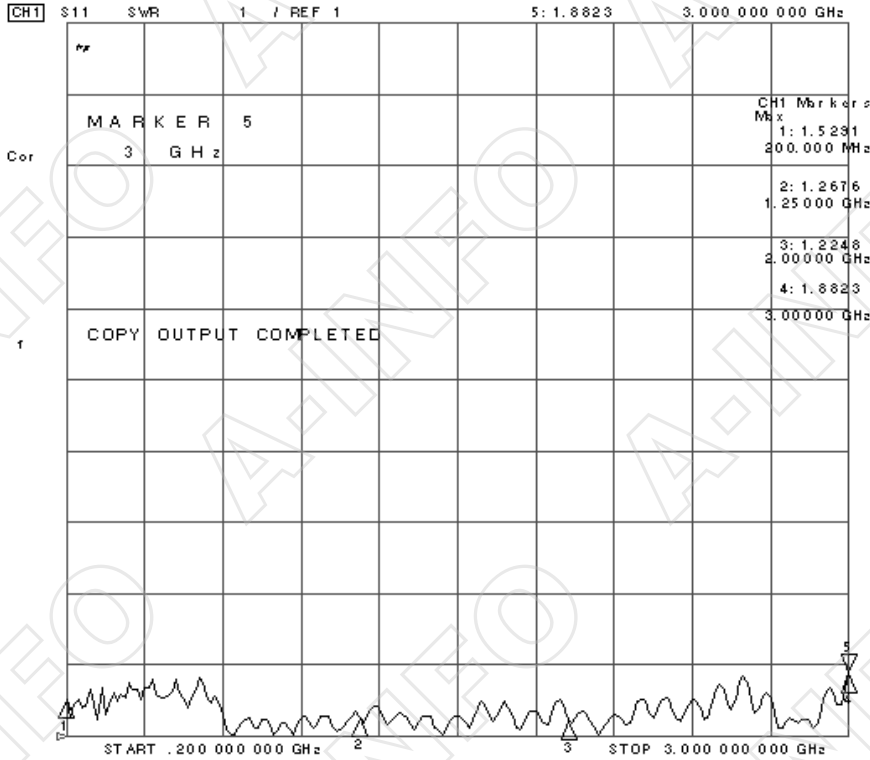
AF at 3 m



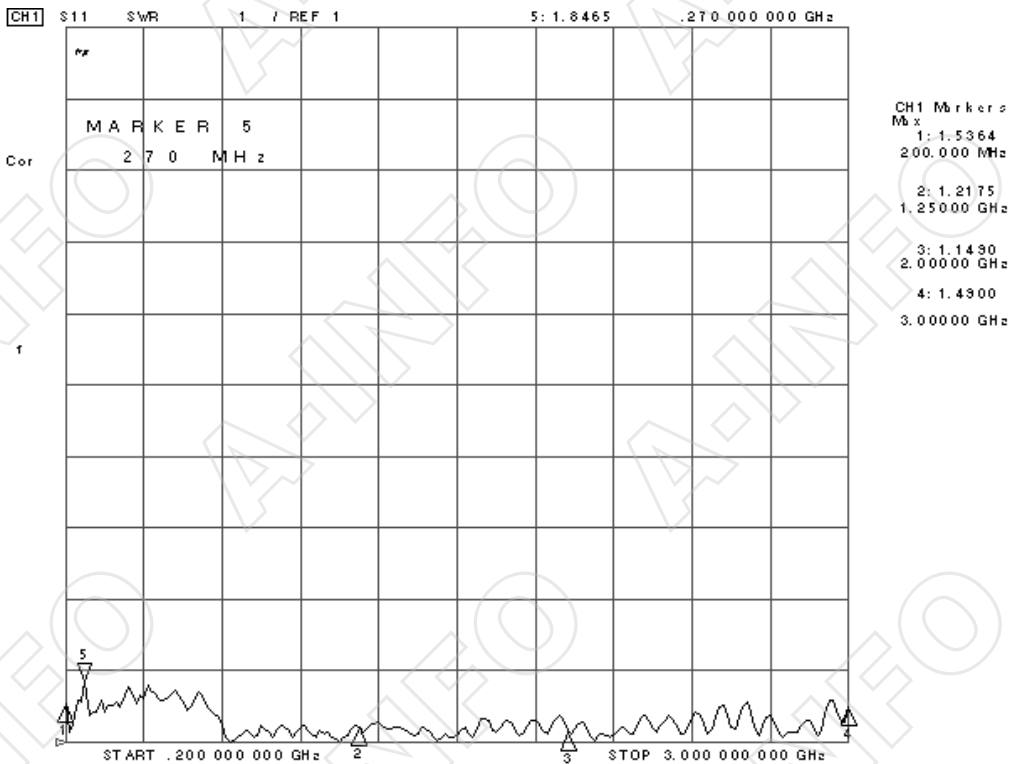
AF at 10 m



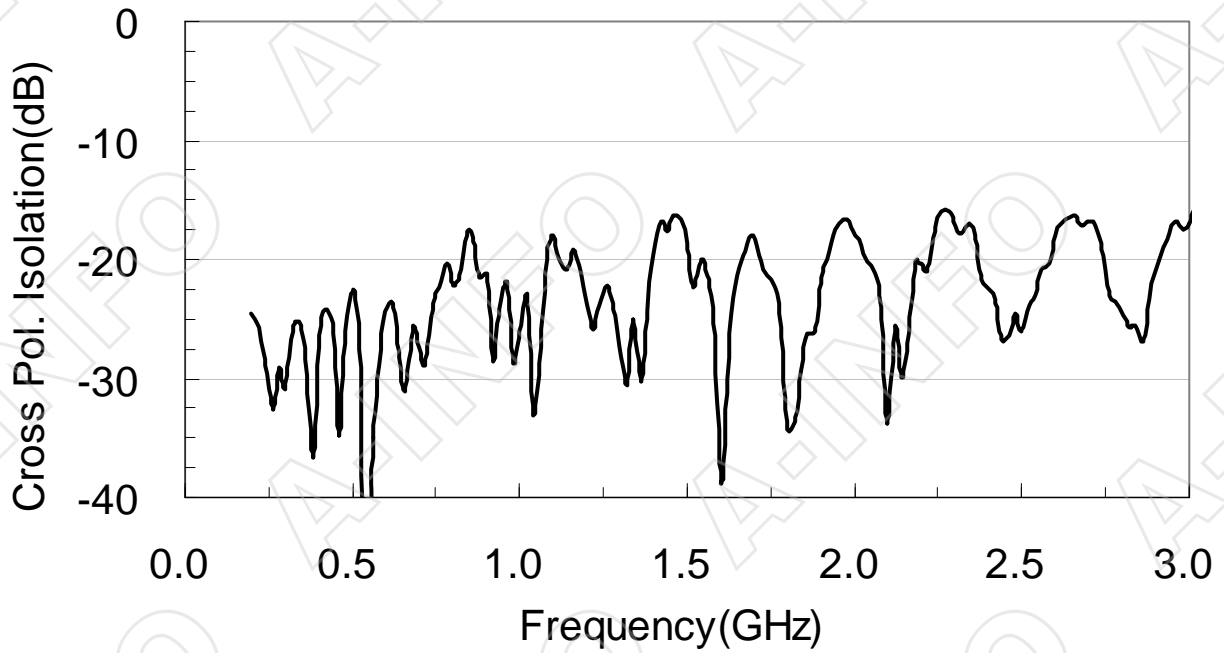
3. VSWR H Port



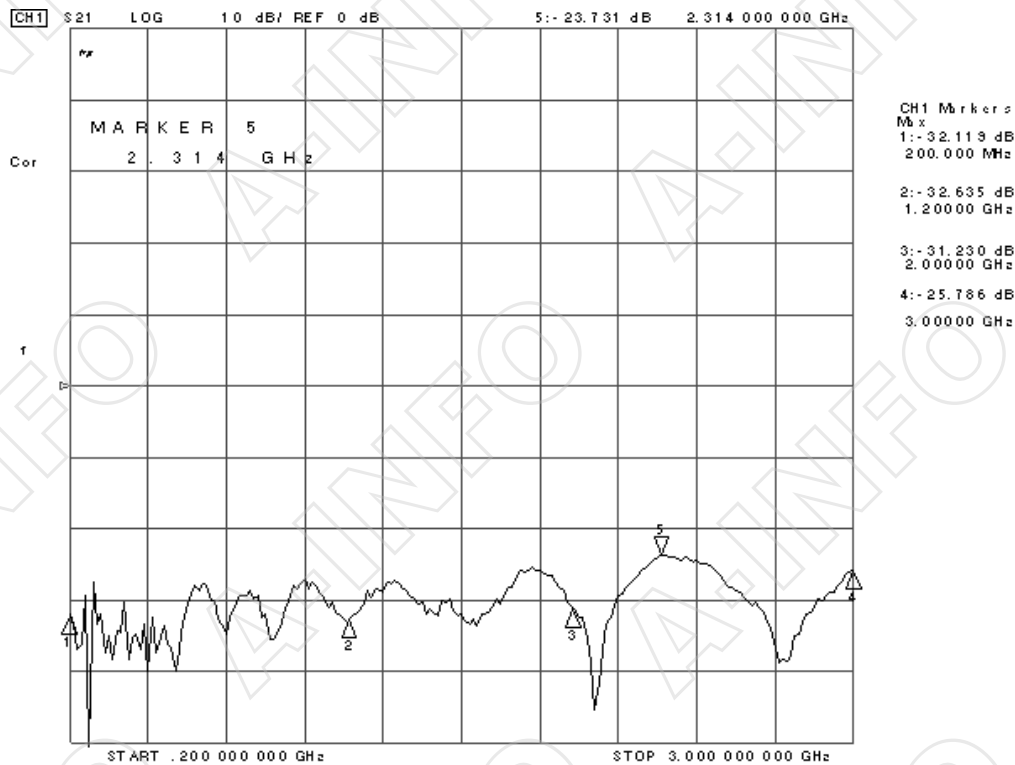
V Port



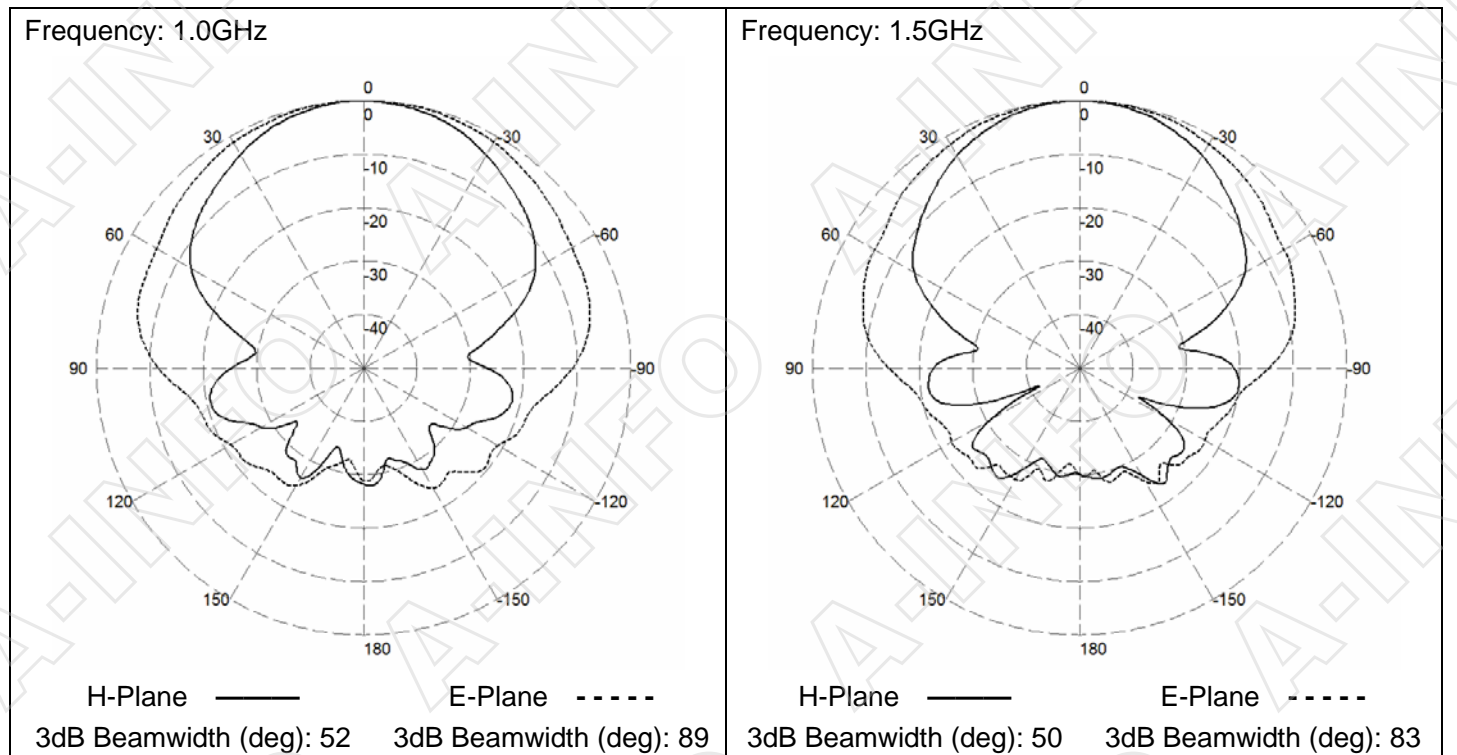
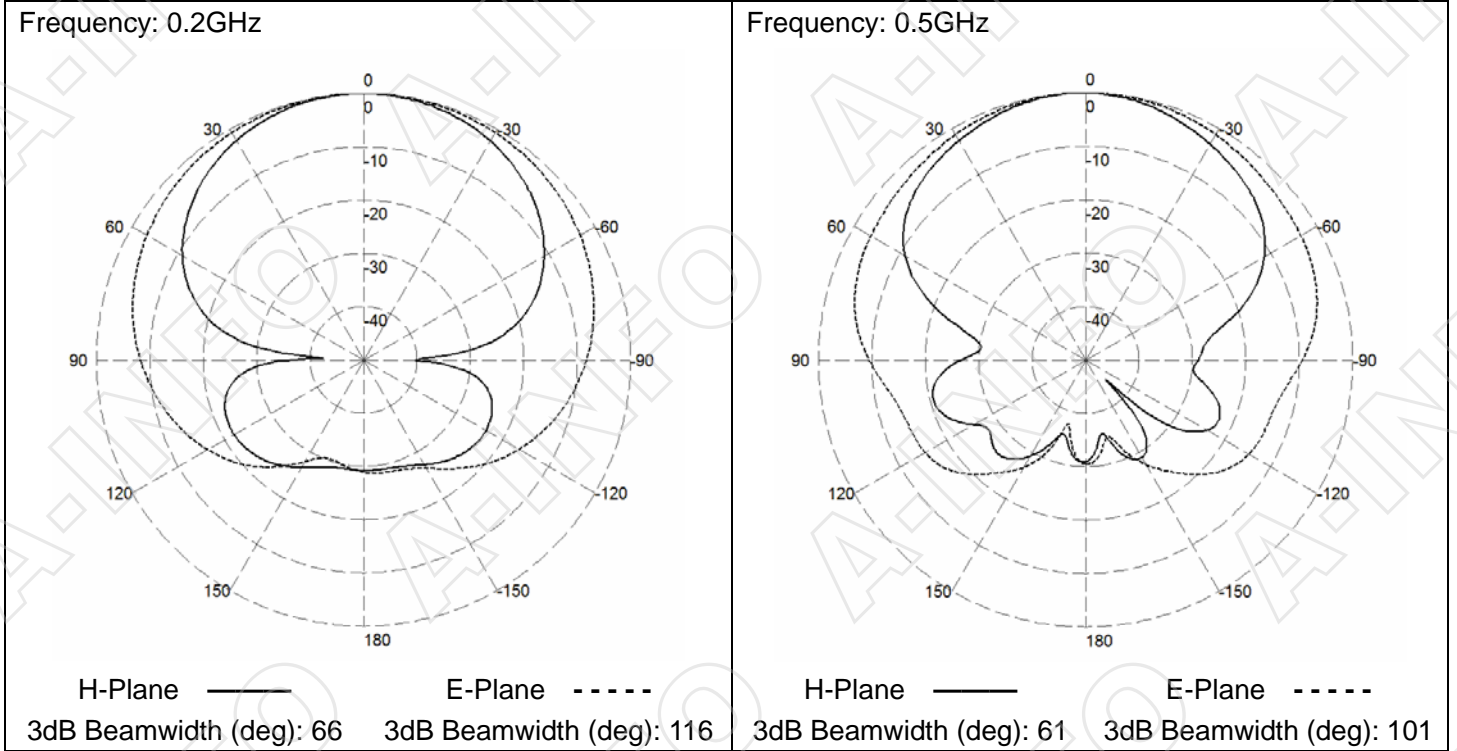
4. Cross Polarization Isolation



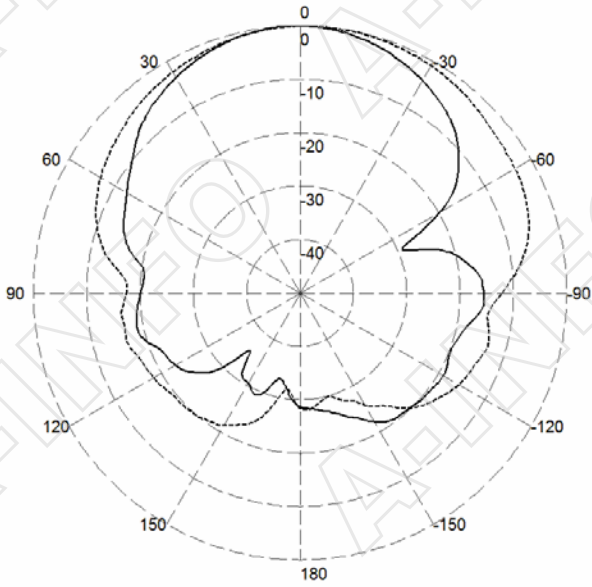
5. Port to Port Isolation



6. Pattern

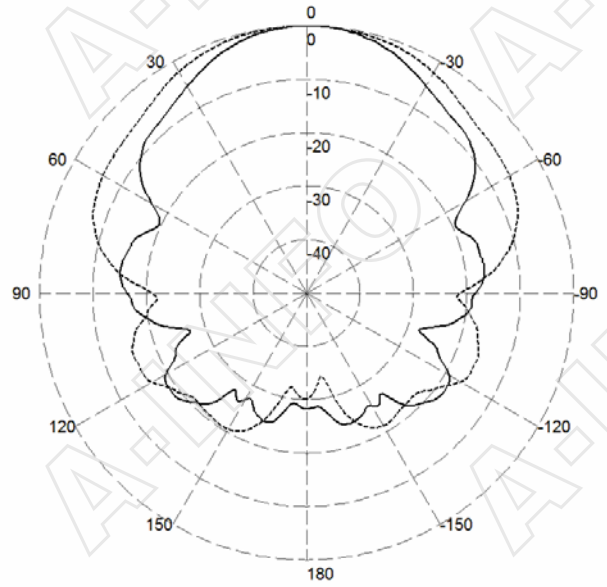


Frequency: 2.0GHz



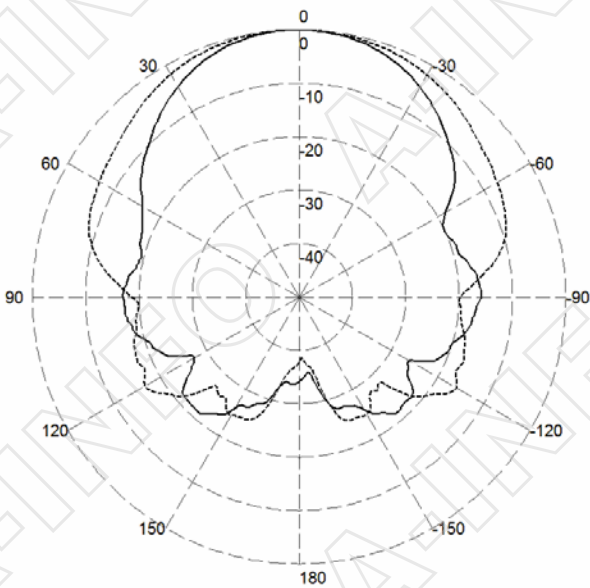
H-Plane ——— E-Plane - - - - -
3dB Beamwidth (deg): 53 3dB Beamwidth (deg): 88

Frequency: 2.5GHz



H-Plane ——— E-Plane - - - - -
3dB Beamwidth (deg): 50 3dB Beamwidth (deg): 83

Frequency: 3.0GHz



H-Plane ——— E-Plane - - - - -
3dB Beamwidth (deg): 49 3dB Beamwidth (deg): 73