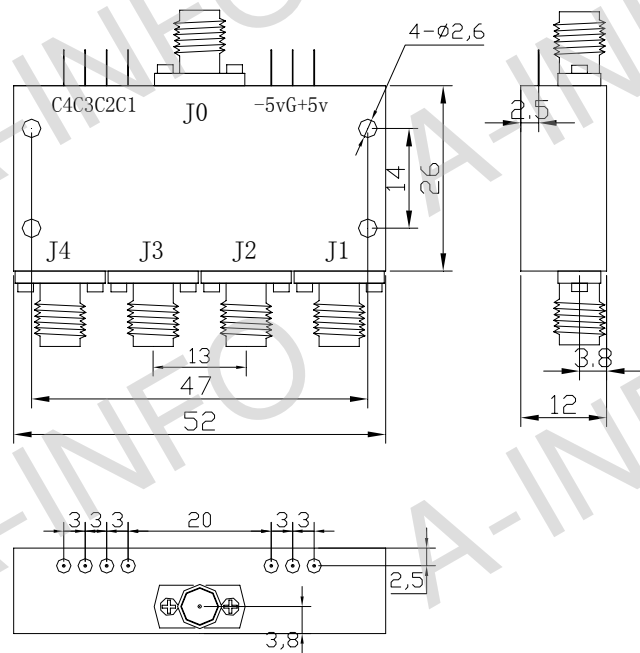


Outline Drawing (Size: mm)



Technical Specification

Item	Technical specification
Frequency Range(GHz)	2.0-6.0
Insertion Loss(dB)	2.6 max
Isolation(dB)	70 min
VSWR	1.6 max
Switching Speed(ns)	100 max
Power handling(W)	0.2
Operating Temperature(°C)	-40 ~ +70
Storage Temperature(°C)	-55 ~ +85
Connector	SMA-Female
Net Weight(Kg)	0.04 Around

Test Results

Port	Insertion Loss (dB)	VSWR	Isolation (dB)
J0-J1	1.50	1.43	85.3
J0-J2	1.45	1.37	88.2
J0-J3	1.33	1.41	86.0
J0-J4	1.56	1.39	88.9