

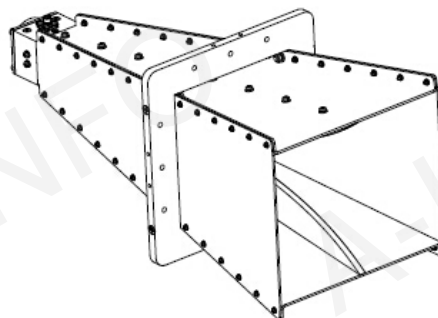
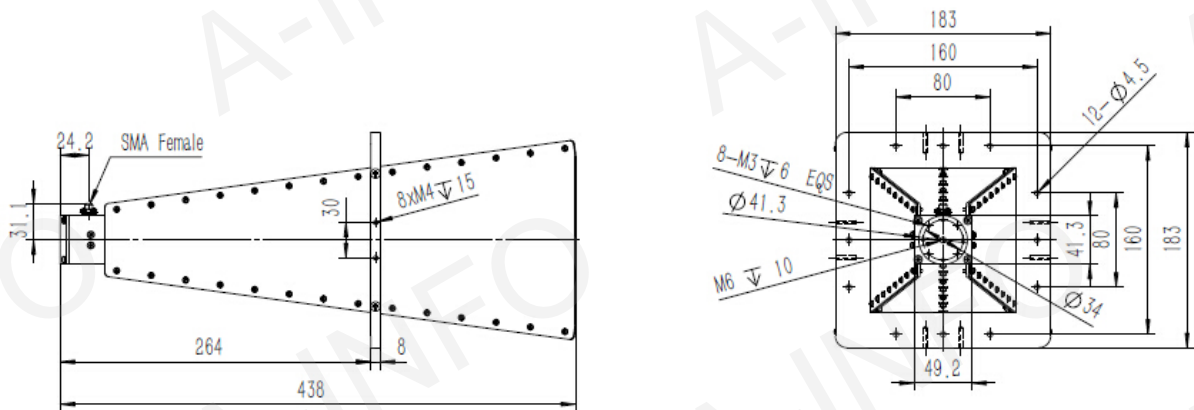
Technical Specification



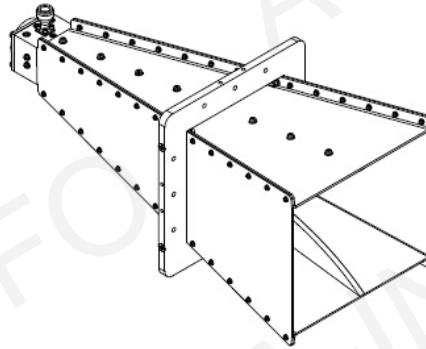
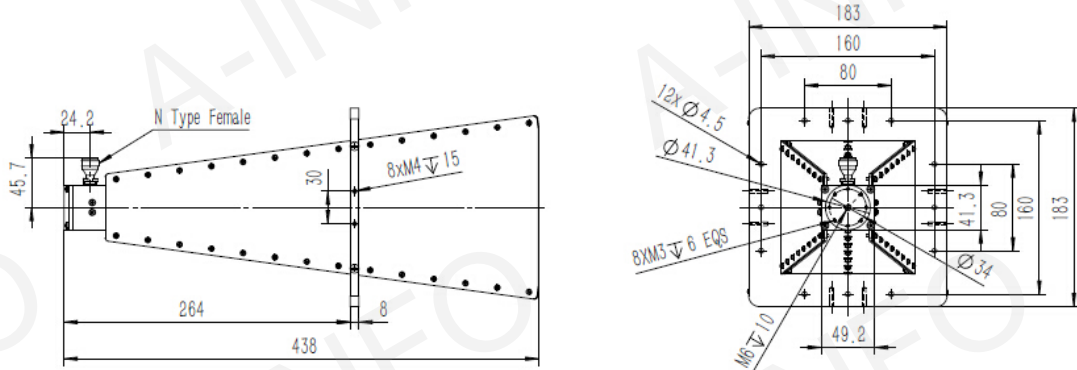
Frequency Range(GHz)	2 - 18	
Gain(dB)	10-22 Typ.	
Polarization	Linear	
VSWR	1.5:1 Typ. / 2.5:1 Max.	
Cross Pol. Isolation(dB)	-25 Typ.	
Connector	SMA-F / N-F	
Power Handling(W)	SMA-F	50 Max. CW
	N-F	150 Max. CW
Size(mm)	438x183x183	
Net Weight(Kg)	2.12 Around	
Radome	Foam Radome for outdoor application is available. Consult A-INFO for details.	

Outline Drawing (Size: mm)

SMA-Female Output

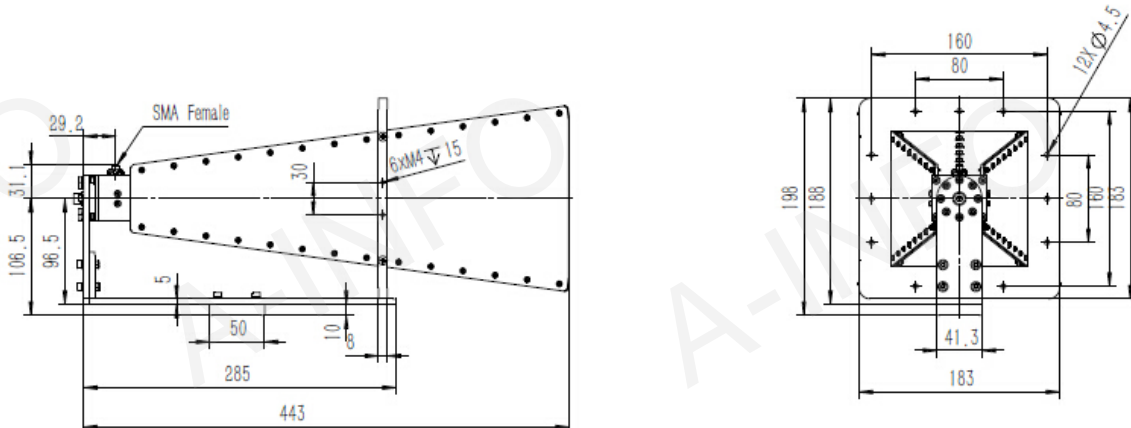
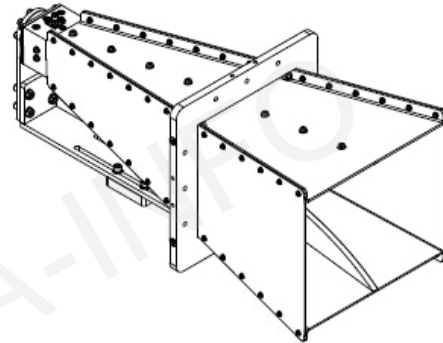
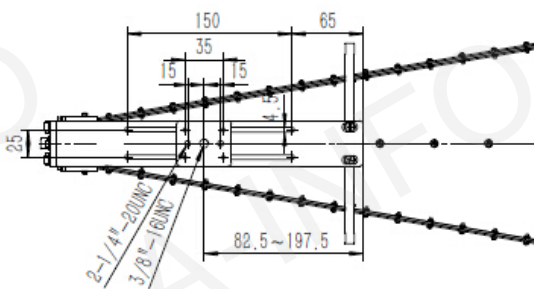


N-Female Output



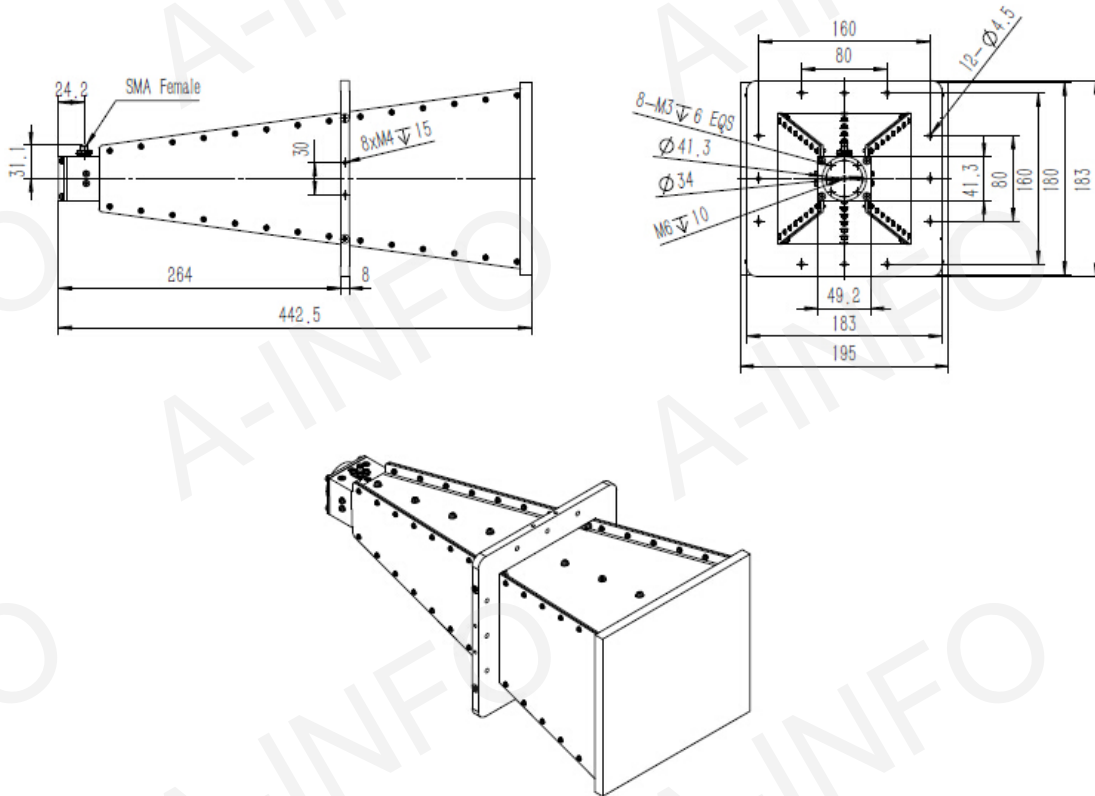
SMA-Female Output with L Type Mounting Bracket

For other type output outline drawing, please contact A-INFO.



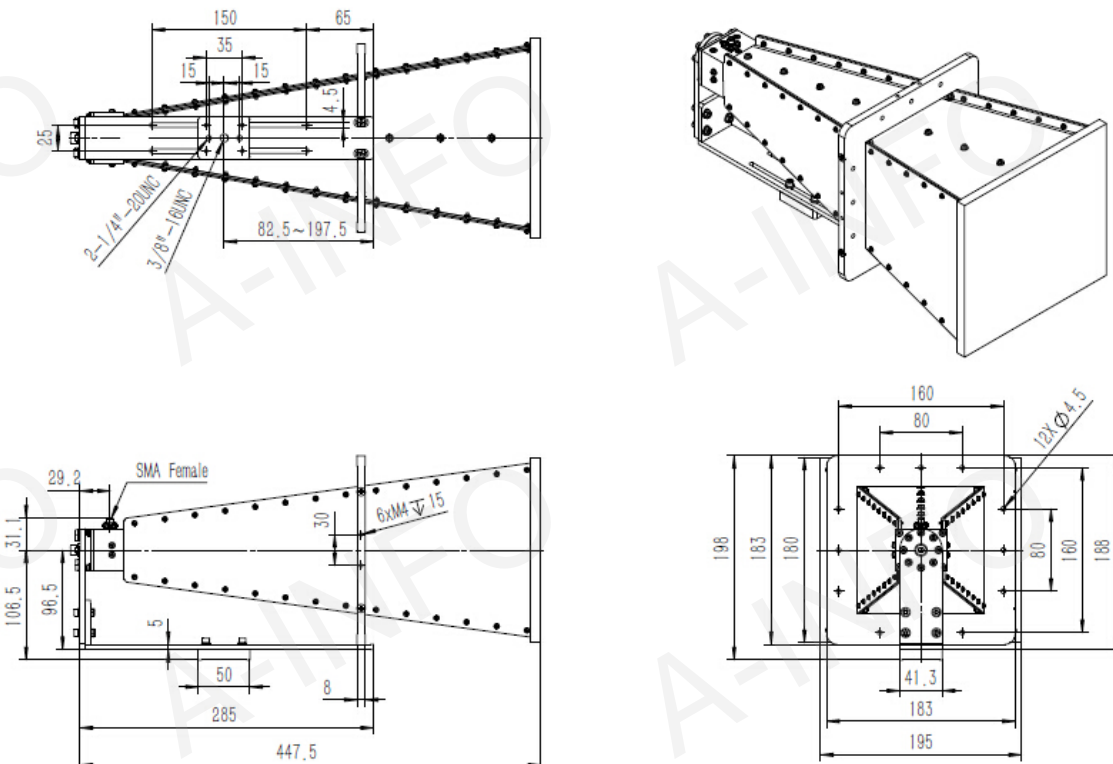
SMA-Female Output with Radome

For other type output outline drawing, please contact A-INFO.



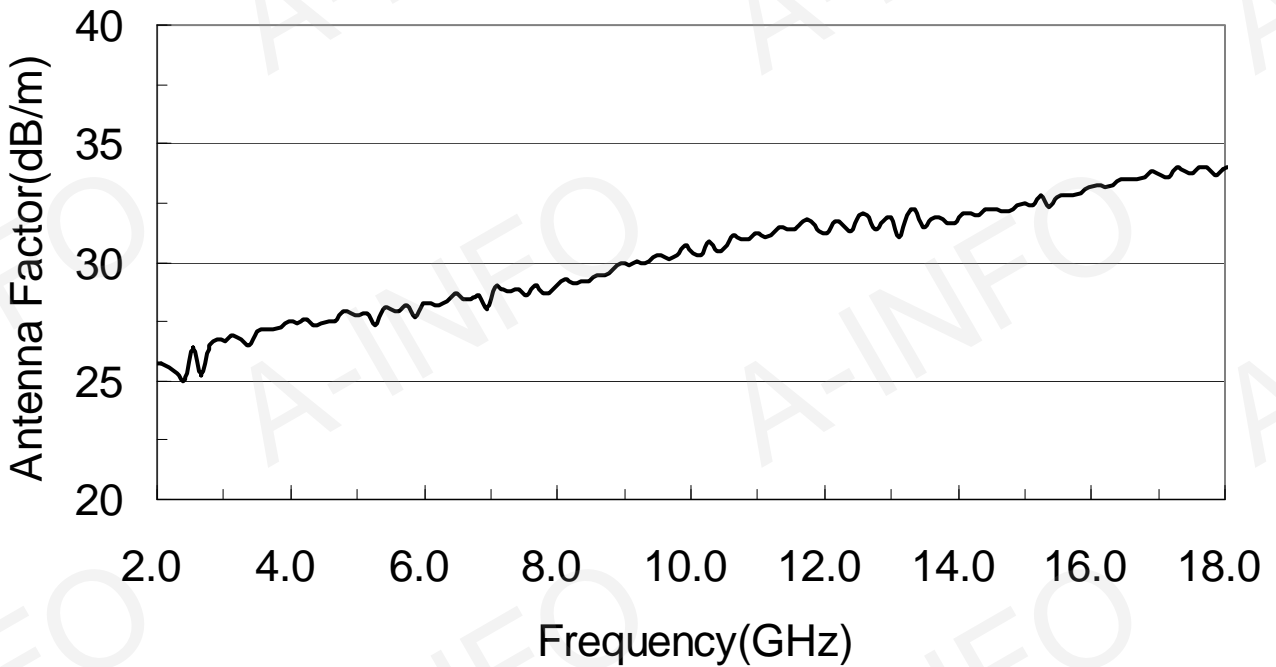
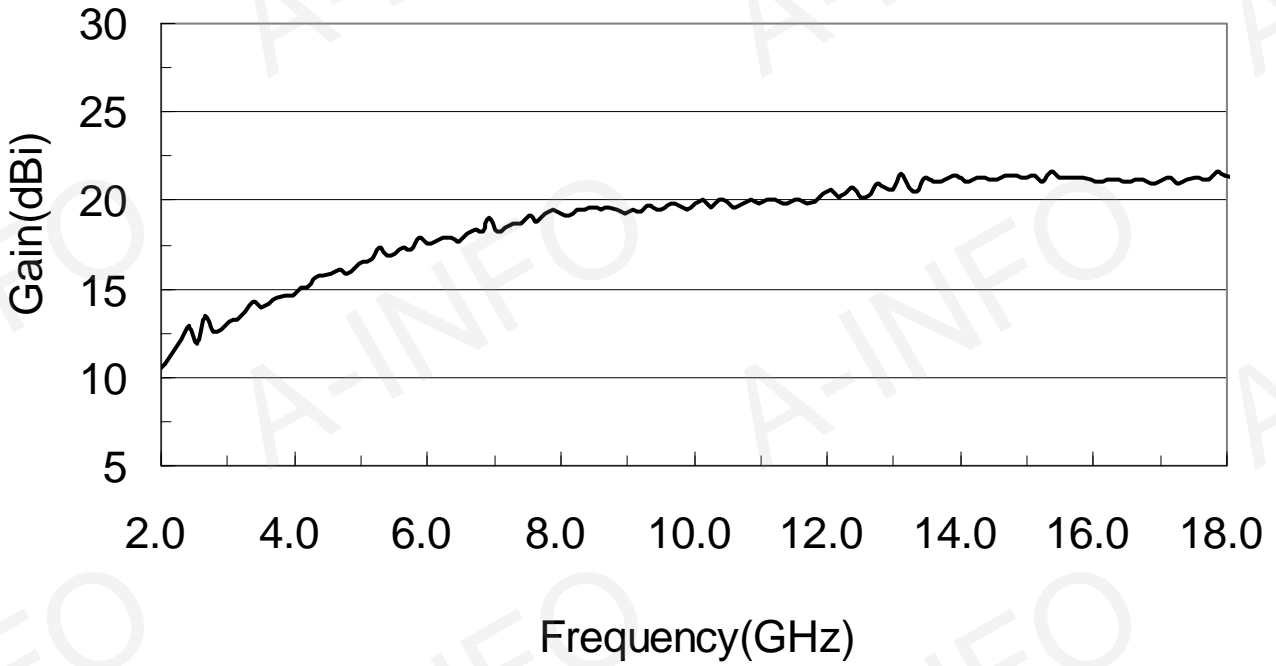
SMA-Female Output with L Type Mounting Bracket & Radome

For other type output outline drawing, please contact A-INFO.

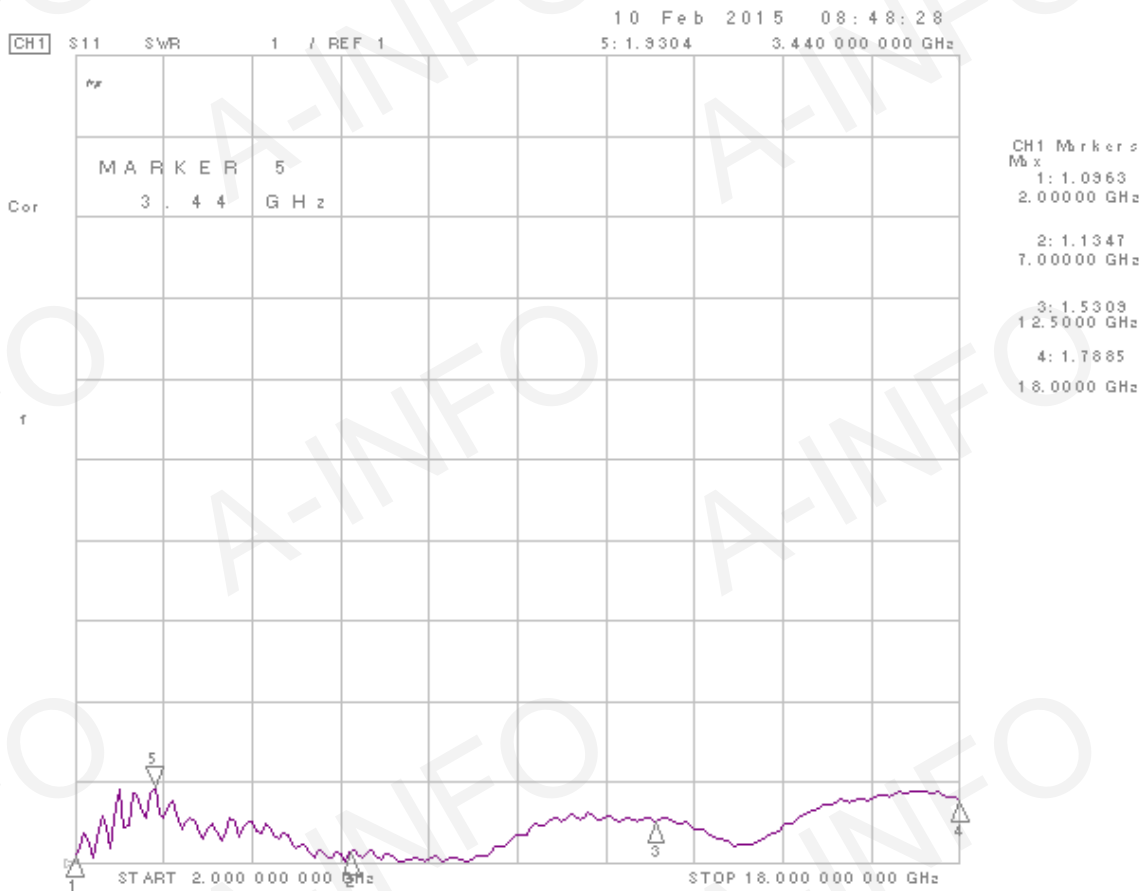


Test Results

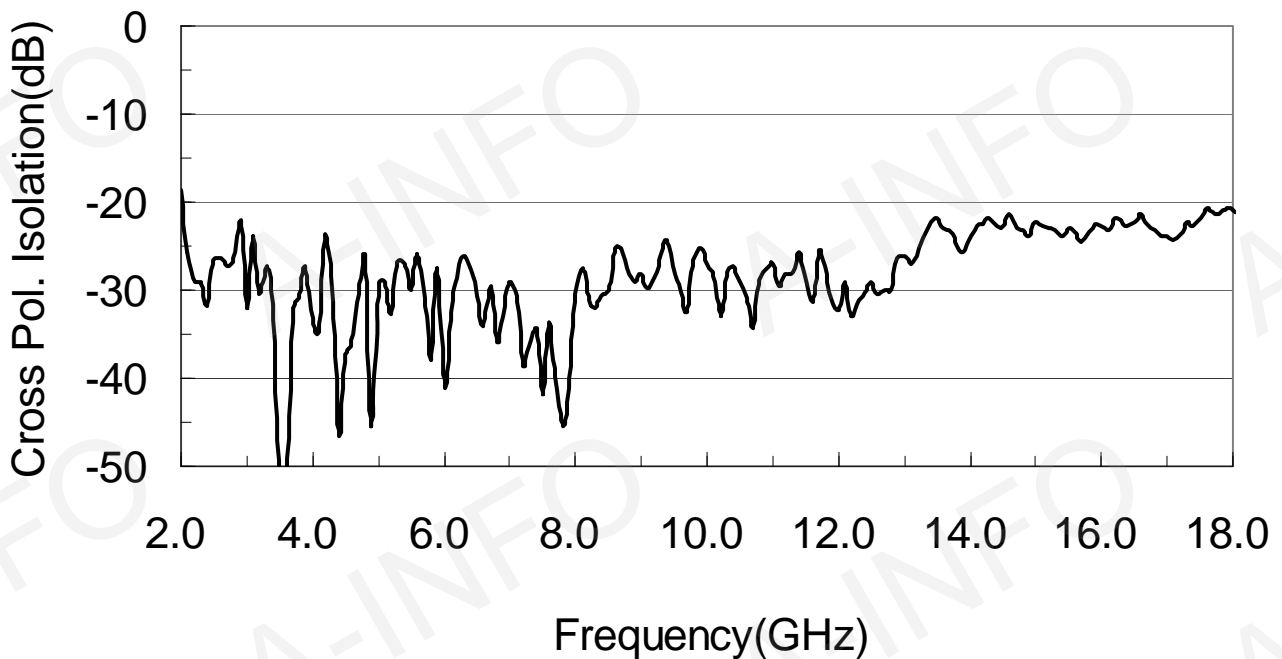
1. Gain & Antenna Factor



2. VSWR



3. Cross Pol. Isolation



4. Pattern

