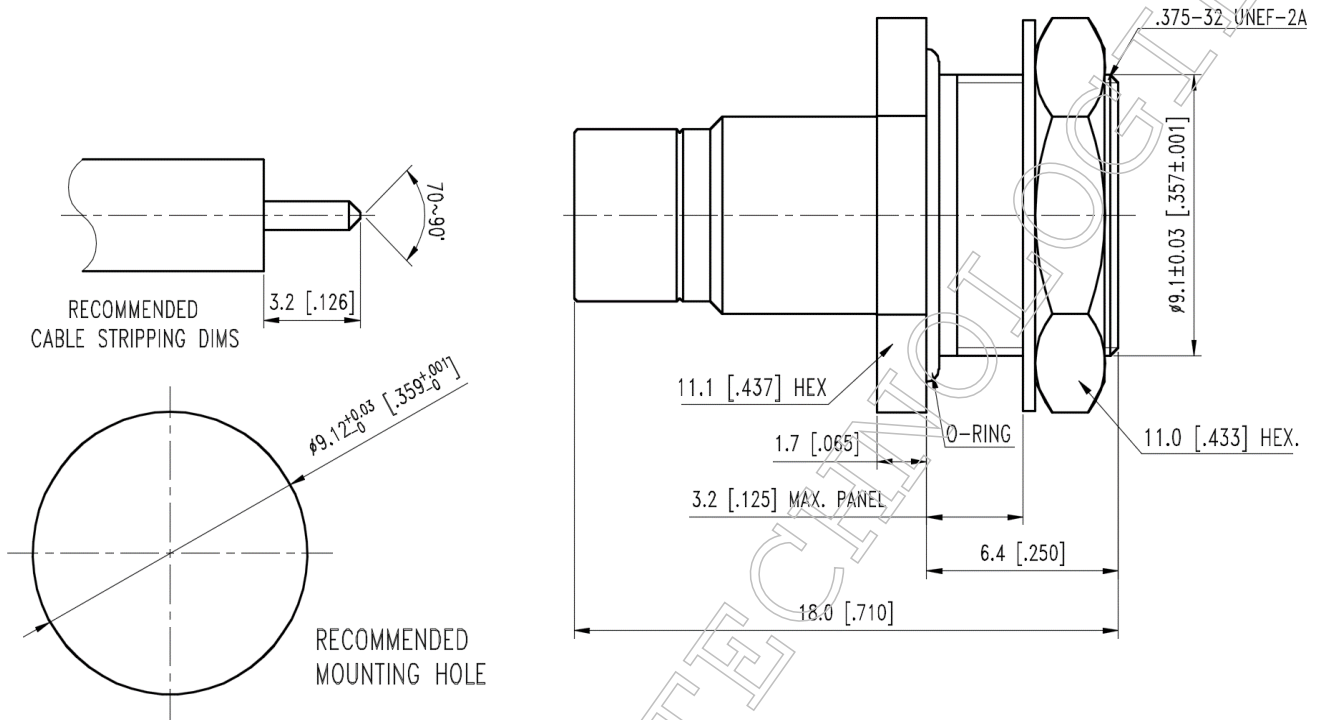


▪ **Outline Dimension Drawing**

Dimensions: mm[inch]



▪ **Material Specification**

Description	Material	Plating
Body	Stainless Steel	Passivate
Body	Stainless Steel	Gold
Contact	BeCu	Gold
Pin	BeCu	Gold
Dielectric	PTFE	
Insert	BeCu	Gold
Washer	Carbon Steel	Nickel
Nut	Brass	Nickel
O-ring	S.I.R	Red

In the effort to improve our products, we reserve the right to make changes judged to be necessary



▪ **Electrical Specification**

Description			Description		
Impedance	50	Ω			
Frequency	18	GHz	Insulation Resistance	5000	MΩ Min.
VSWR	1.3	Max.	Inner Contact Resistance	6	mΩ Max.
Insertion Loss	0.25	dB Max.	Outer Contact Resistance	2	mΩ Max.
Voltage Rating	375	Vrms Max.			
Dielectric Withstanding Voltage	1500	Vrms Max.			

▪ **Mechanical Specification**

Description		
Center Contact Retention	6	lbs. Min.
Engagement Force	3	lbs. Max.
Disengagement Force	1.5	lbs. Max.
Connector Durability	500	matings min.
Weight	N/A	g

▪ **Environmental Specification**

Description		
Temperature Min.	-65	°C
Temperature Max.	125	°C
Hermetic Seal	N/A	

In the effort to improve our products, we reserve the right to make changes judged to be necessary