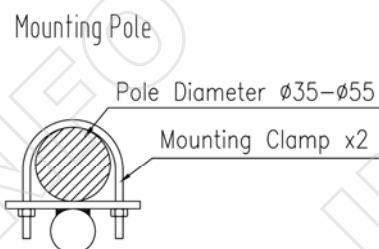
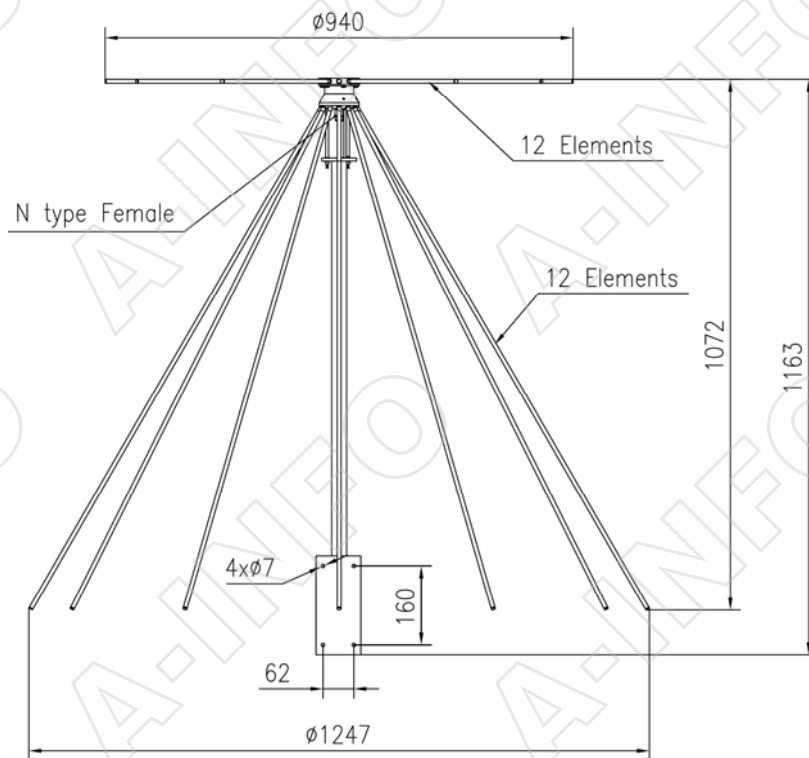


Technical Specification



Frequency Range(MHz)	80 - 500
Gain(dB)	0 Typ.
Polarization	Linear
VSWR	2.0:1 Typ.
Power(W)	300 CW
Connector	N-Female
Size(mm) Φ x H	Φ 1247 x 1163
Net Weight(Kg)	5.0 Around

Outline Drawing (Size: mm)

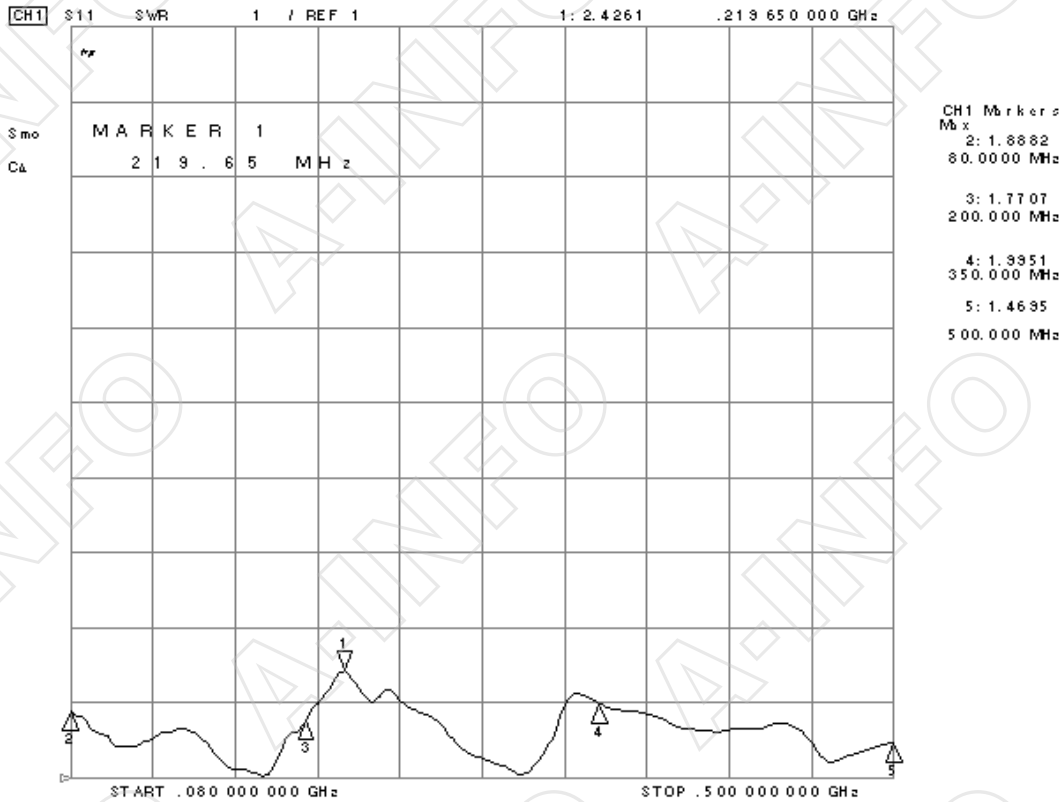


Test Results

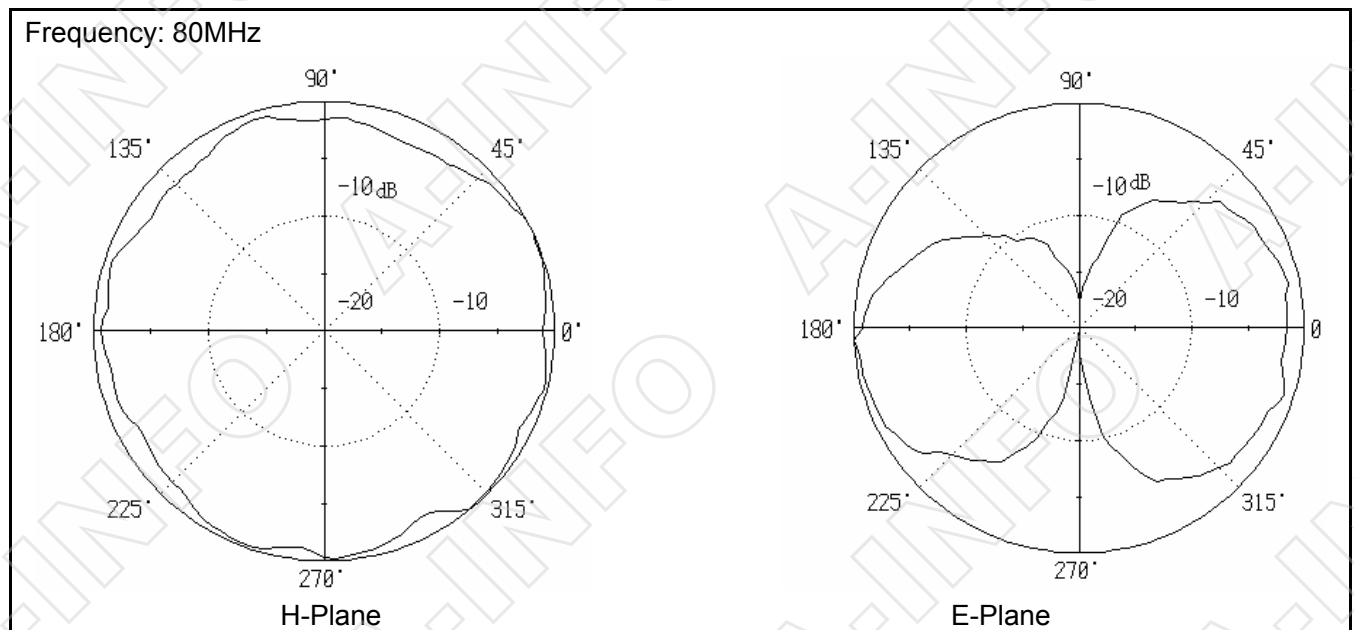
1. Gain

Frequency(MHz)	80	240	500
Gain(dB)	0.8	1.5	1.8

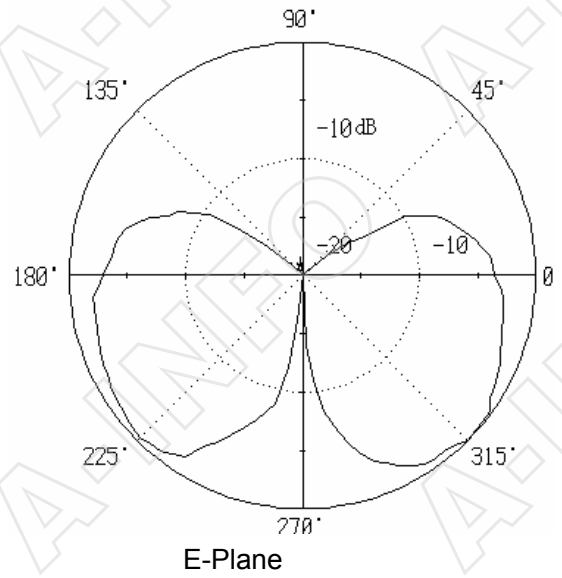
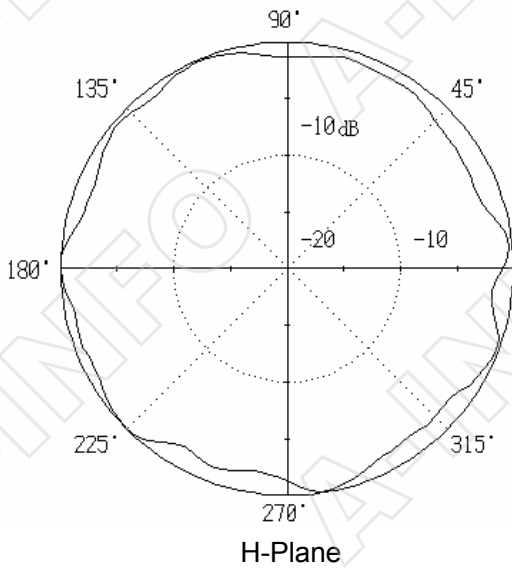
2. VSWR



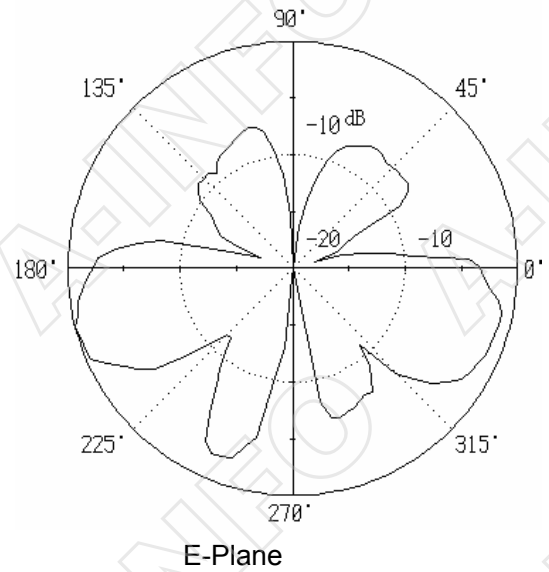
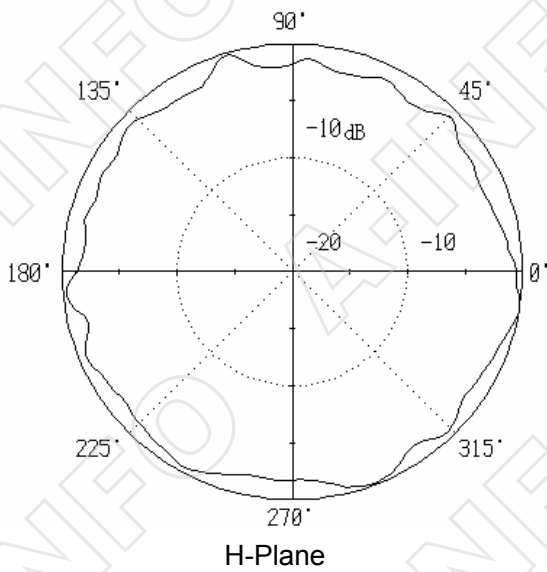
3. Pattern



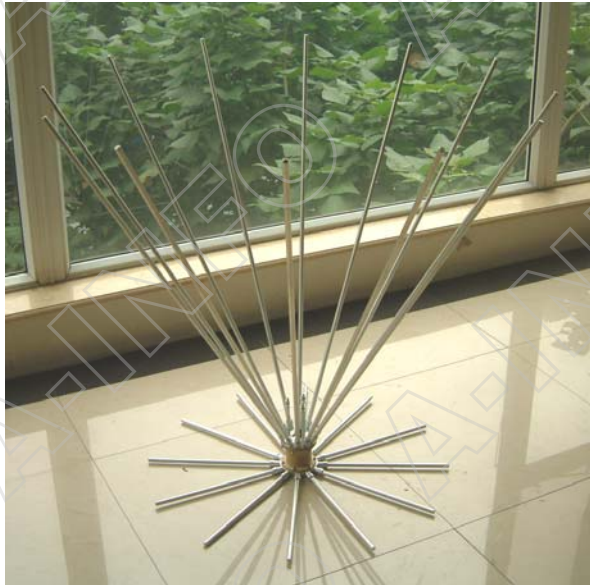
Frequency: 240MHz



Frequency: 500MHz

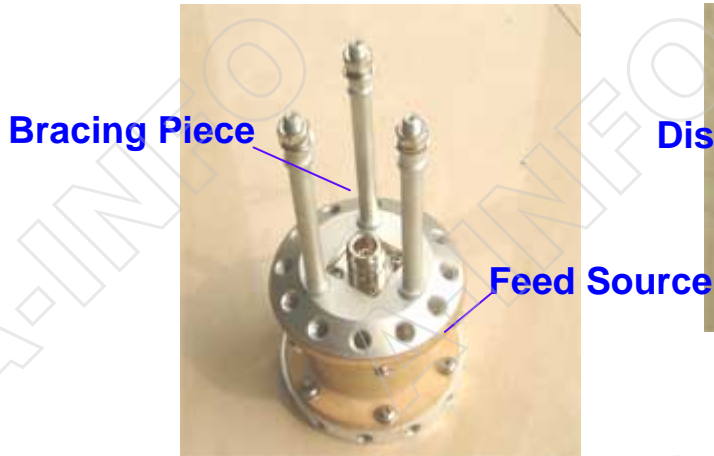


Installation Manual
For
PZ-850/P



A. Parts of the Antenna

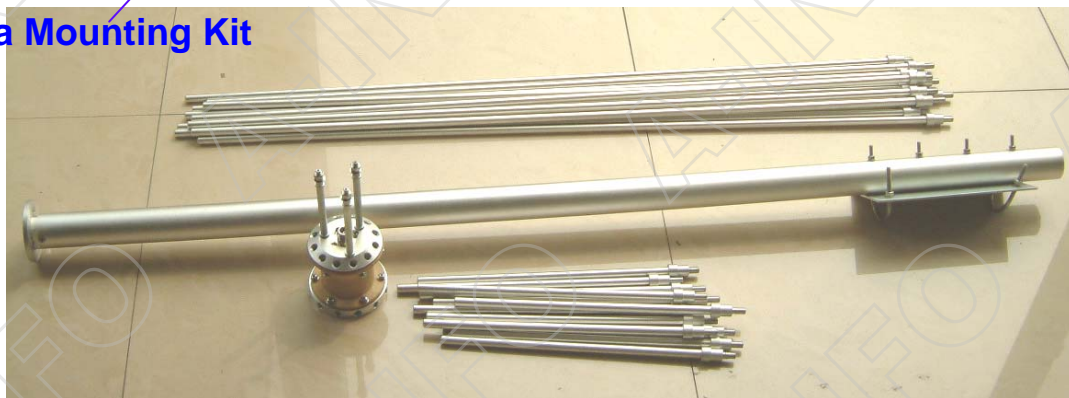
1. **Feed Source Part (Feed Source and Bracing Piece), Dish Pole, Cone Pole.** See the following picture.



2. **Antenna Mounting Kit: L=120cm.** See the following picture:



Antenna Mounting Kit



B. Mounting Method

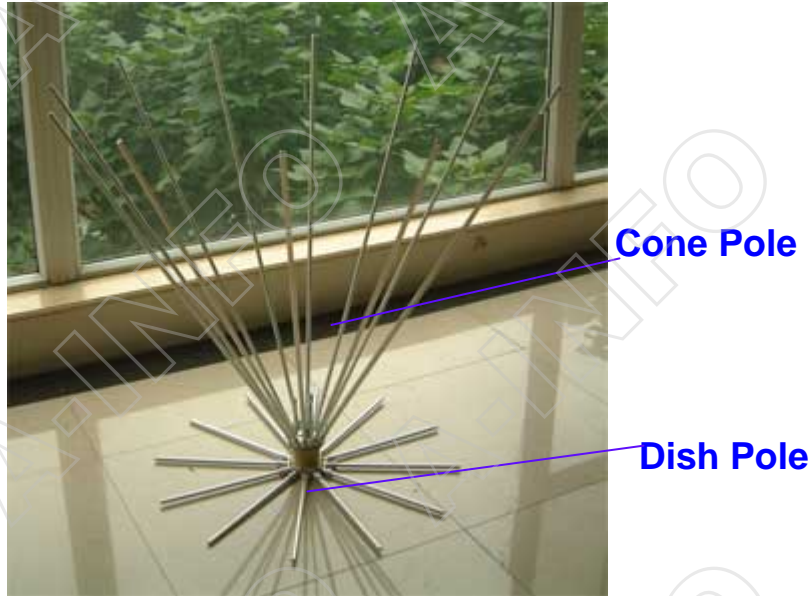
1. Fixing the **Antenna Mounting Kit (with clamp)** on the place where you would like to install the antenna. See the following picture. (for reference).



2. Fixing the **Dish Pole** to the **Feed Source**. See the following picture.



3. Fixing the **Cone Pole** to the **Feed Source** (Notes: For better fix, you must keep the **Cone Pole** to be 60 degree with the level. If you feel hard to fix, you can adjust the angle, pls. do not fix forcibly.). Please see the following picture.

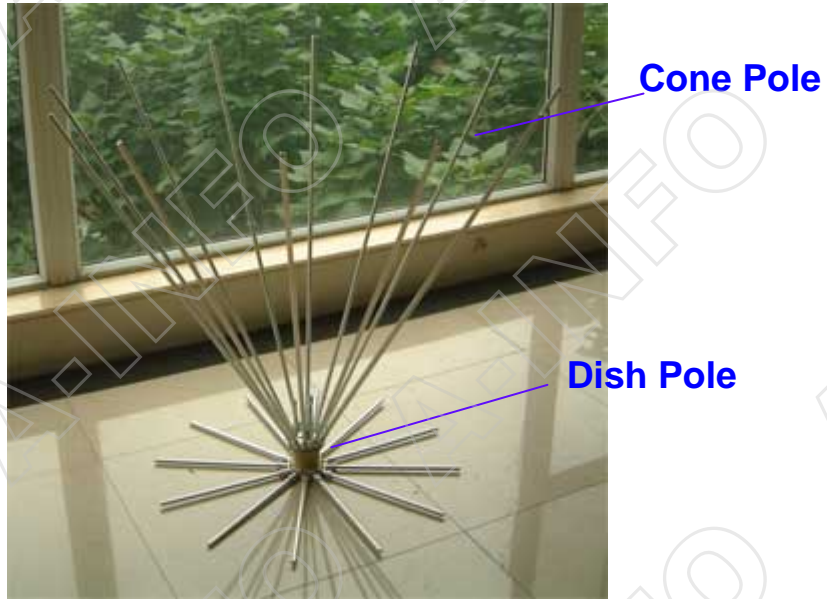


4. Pls. use the **Bracing Piece** to fix the **Feed Source** and the **Antenna Mounting Kit**. See the following picture,



C. Finishing Picture

1. After fixed the **Dish Pole** and the **Cone Pole**, pls. see the following picture.



2. Pls. fix the picture above to the Antenna Mounting Kit.

