

112WPL WR112 Waveguide Precision Load 7.05-10GHz with Rectangular Waveguide Interface

WR112 Waveguide Precision Load Operating From 7.05 to 10GHz with Rectangular Waveguide Interface



Product Information

SKU	112WPL
-----	--------

Description

Waveguide precision load 112WPL, operating from 7.05 to 10GHz and low VSWR 1.015:1. 112WPL covers the 112WPL sub waveguide band and comes with one flange FBP84(UBR84). It can handle 4 continuously and 4 peak power. A-INFO Precision Flange(APF) is available for this series. The WPL series low power waveguide fixed terminations are precision, low VSWR terminations suited to a wide variety of precision laboratory applications. The typical applications include full band one-Interface calibration and full two-Interface, isolation calibration. TRM (Thru-Reflect-Match) and SSLT (Short-Short-Load- Thru) calibration methods are supInterfaceed.

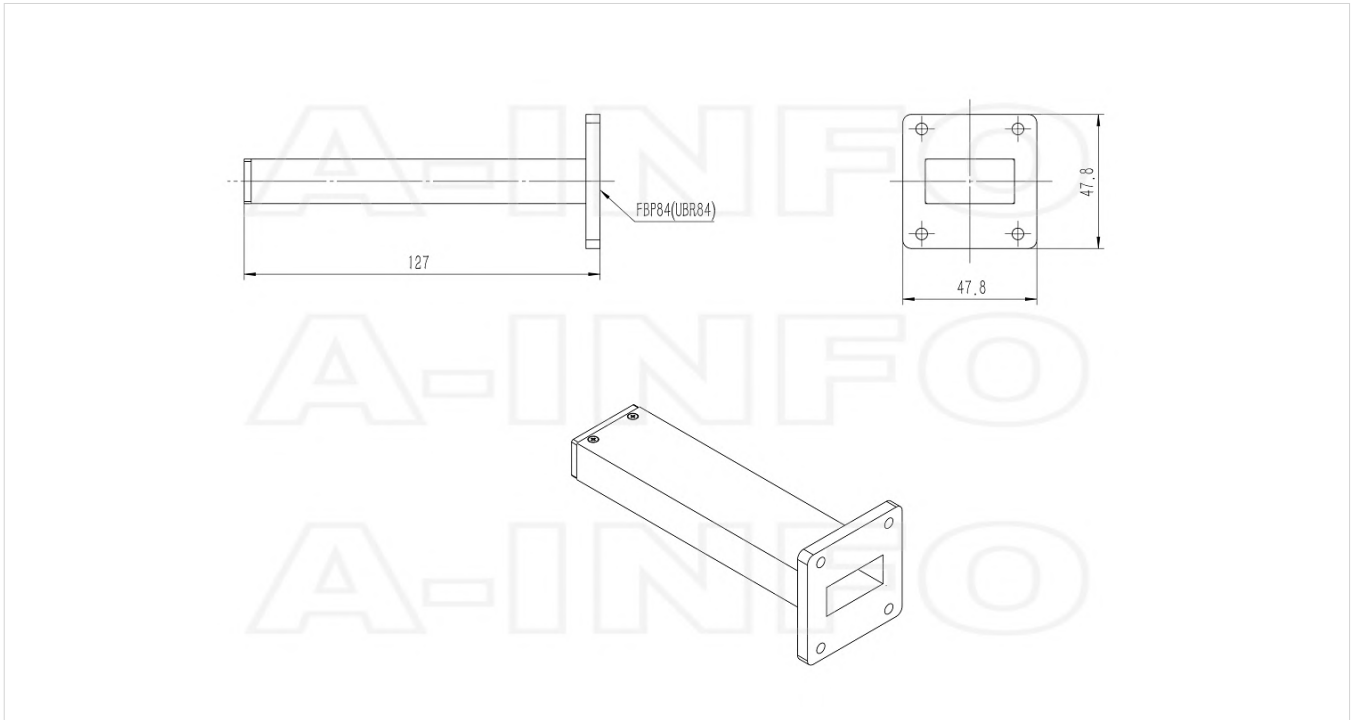
Technical Specification

Electrical Specification		Mechanical Specification	
WG Load Type	Precision	Body Material	Al
Waveguide Band	C X	Size, L (mm)	127
Waveguide Type	Rectangular	Size, W (mm)	47.8
Waveguide Size EIA WR	WR112	Size, H (mm)	47.8
Frequency, Min (GHz)	7.05	Weight, (kg)	0.15
Frequency, Max (GHz)	10	Pressure Sealed	No
VSWR, Typ	1.01:1	Environmental Specification	
VSWR, Max	1.015:1	Operating Temp. Low (°C)	-55
Power Handling, CW, (W)	4	Operating Temp. High (°C)	85
Power Handling, Peak, (KW)	4	Storage Temp. Low (°C)	-60
		Storage Temp. High (°C)	90
Interface			
Flange Style	Square		
Flange Type	Cover		
Flange Designation	FBP84(UBR84)		

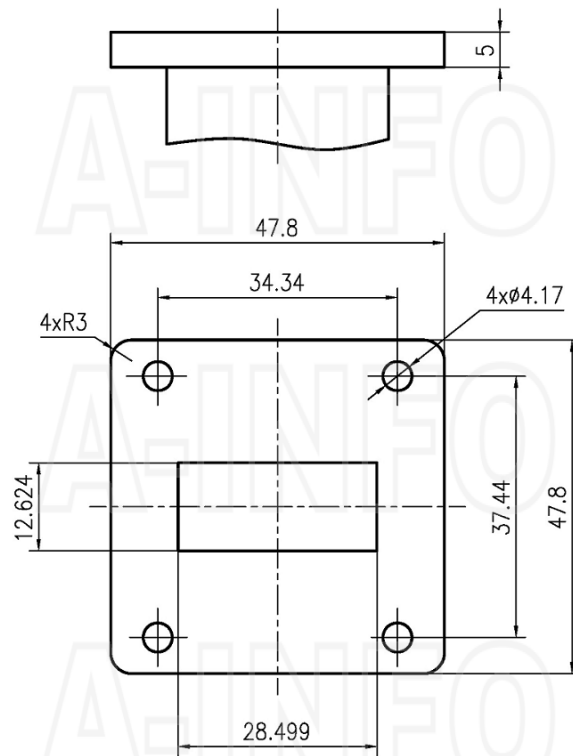
Additional Information

Application	General Purpose Indoor & Outdoor, Fixed
-------------	---

Outline Drawing



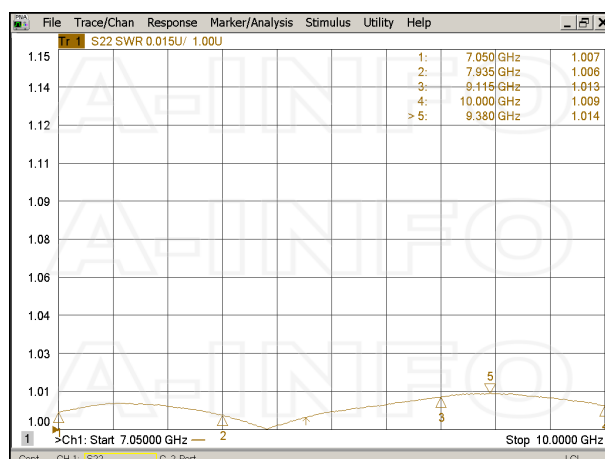
Flange Drawing



FBP84

Typical Test Results

VSWR



About this Datasheet

<ul style="list-style-type: none">● Product Information <p>Product Link: https://www.ainfoinc.com/112wpl-wr112-waveguide-precision-load-7-05-10-ghz-fbp84-ubr84</p> <p>Data subject to change without notice. © A-INFO INC. 2024. All Rights Reserved</p>	<ul style="list-style-type: none">● Contact Us <p>Address: 60 Tesla, Irvine, CA 92618, USA</p> <p>Website: www.ainfoinc.com</p> <p>Email: sales@ainfoinc.com</p>	<ul style="list-style-type: none">● Phone & Fax <p>Phone: +1-949-639-9688 +1-949-639-9608</p> <p>Fax: +1-949-639-9670</p>
---	---	--