



62WET WR62 Waveguide E-Plane Tee 12.4-18GHz with Three Rectangular Waveguide Interfaces

WR62 Waveguide E-Plane Tee Operating From 12.4 to 18GHz with Three Rectangular Waveguide Interfaces

### Product Information

SKU	62WET
-----	-------

### Description

Waveguide E-plane tee 62WET, operating from 12.4 to 18GHz with a 0.3dB insertion loss and low VSWR 1.50:1. 62WET is a three-ports waveguide connector. All the ports have standard WR62 waveguides with the same flanges FBP140(UBR140). The waveguide E-plane tees are used to separate the signal at E plane rectangular port into the collinear arm with the two rectangular waveguide ports or synthesize the signal from the two ports of the collinear arm into the E plane port.

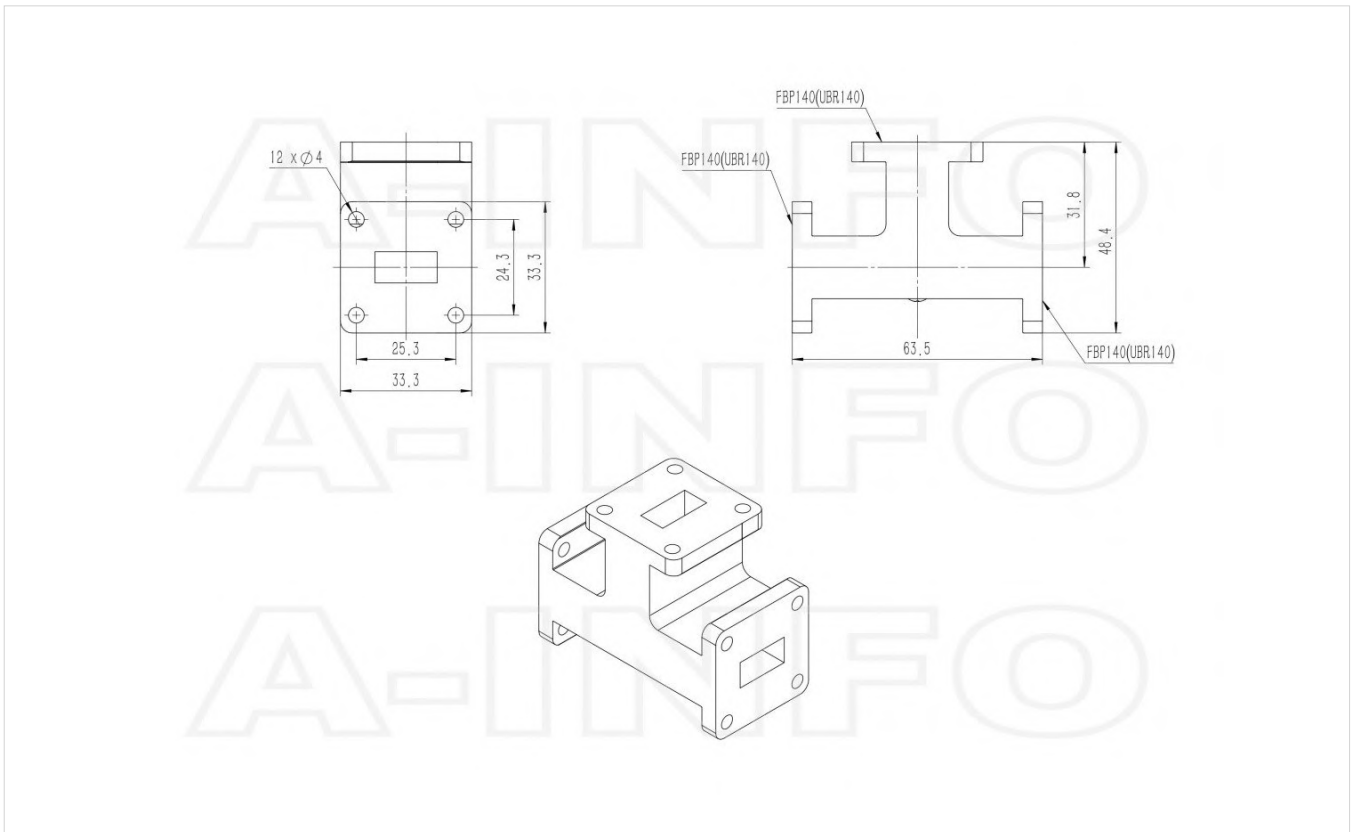
### Technical Specification

<b>Electrical Specification</b>		<b>Interface</b>	
WG Tee Type	E-Plane Tee	Flange 3 Style	Square
Waveguide Band	Ku	Flange 3 Type	Cover
Waveguide Type	Rectangular	Flange 3 Designation	FBP140(UBR140)
Waveguide Size EIA WR	WR62	<b>Mechanical Specification</b>	
Frequency, Min (GHz)	12.4	Body Material	Al
Frequency, Max (GHz)	18	Size, L (mm)	63.5
I.L., Typ (dB)	0.3	Size, W (mm)	33.3
I.L., Max (dB)	0.4	Size, H (mm)	48.4
VSWR, Typ	1.50:1	Weight, (kg)	0.1
Power Handling, CW, (W)	200	Pressure Sealed	No
Power Handling, Peak, (KW)	130	<b>Environmental Specification</b>	
<b>Interface</b>		Operating Temp. Low (°C)	-55
Flange 1 Style	Square	Operating Temp. High (°C)	85
Flange 1 Type	Cover	Storage Temp. Low (°C)	-60
Flange 1 Designation	FBP140(UBR140)	Storage Temp. High (°C)	90
Flange 2 Style	Square		
Flange 2 Type	Cover		
Flange 2 Designation	FBP140(UBR140)		

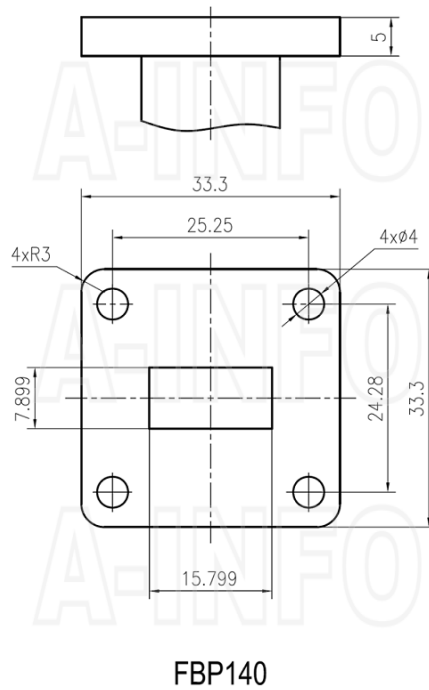
### Additional Information

Application	General Purpose Indoor & Outdoor, Fixed
-------------	---

## Outline Drawing(Size: mm)

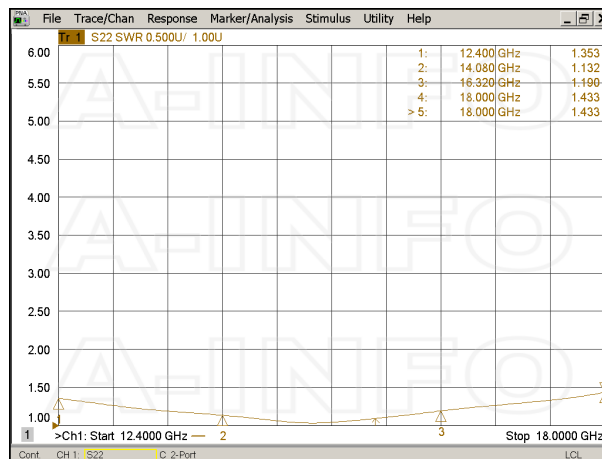


## Flange Drawing(Size: mm)

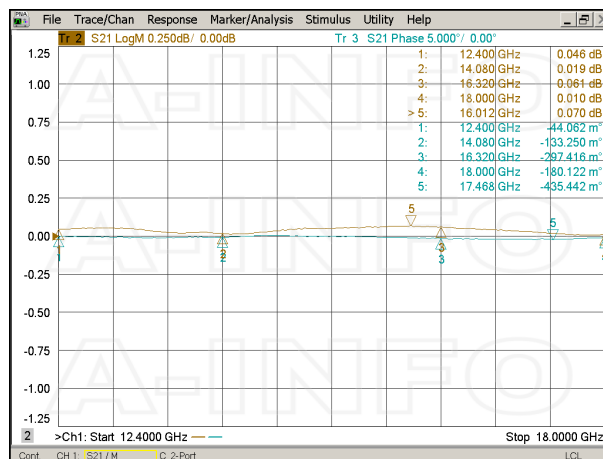


## Typical Test Results

### VSWR



## Unbalance



## Similar Products



62WMT\_BMBPBPBM WR62 Waveguide Magic Tee 12.4-18GHz with Four Rectangular Waveguide Interfaces



62WMT WR62 Waveguide Magic Tee 12.4-18GHz with Four Rectangular Waveguide Interfaces



62WHT WR62 Waveguide H-Plane Tee 12.4-18GHz with Three Rectangular Waveguide Interfaces



75WMT WR75 Waveguide Magic Tee 10-15GHz with Four Rectangular Waveguide Interfaces



75WHT/C10 WR75 Waveguide H-Plane Tee 10.7-12.75GHz with Three Rectangular Waveguide Interfaces



75WHT WR75 Waveguide H-Plane Tee 10-15GHz with Three Rectangular Waveguide Interfaces



75WET WR75 Waveguide E-Plane Tee 10-15GHz with Three Rectangular Waveguide Interfaces



51WET WR51 Waveguide E-Plane Tee 15-22GHz with Three Rectangular Waveguide Interfaces



51WHT WR51 Waveguide H-Plane Tee 15-22GHz with Three Rectangular Waveguide Interfaces



51WMT WR51 Waveguide Magic Tee 15-22GHz with Four Rectangular Waveguide Interfaces

## About this Datasheet

<ul style="list-style-type: none"> <li>• <b>Product Information</b> Product Link: <a href="https://www.ainfoinc.com/62wet-wr62-waveguide-e-plane-tee-12-4-18-ghz-fbp140-ubr140">https://www.ainfoinc.com/62wet-wr62-waveguide-e-plane-tee-12-4-18-ghz-fbp140-ubr140</a> Data subject to change without notice. © A-INFO INC. 2024. All Rights Reserved</li> </ul>	<ul style="list-style-type: none"> <li>• <b>Contact Us</b> Address: 60 Tesla, Irvine, CA 92618, USA Website: <a href="http://www.ainfoinc.com">www.ainfoinc.com</a> Email: <a href="mailto:sales@ainfoinc.com">sales@ainfoinc.com</a></li> </ul>	<ul style="list-style-type: none"> <li>• <b>Phone &amp; Fax</b> Phone: +1-949-639-9688 +1-949-639-9608 Fax: +1-949-639-9670</li> </ul>
---	--	--