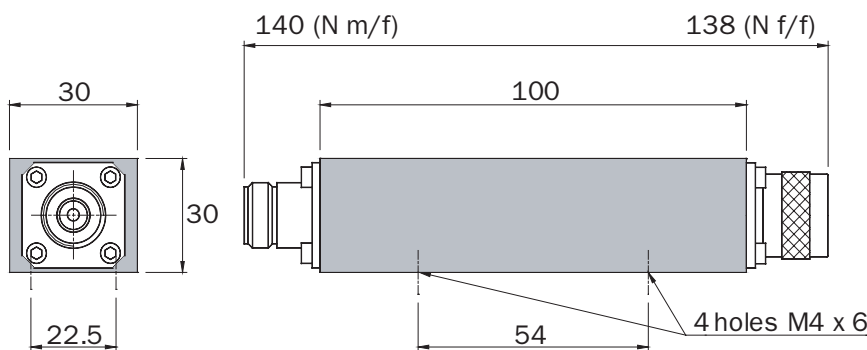
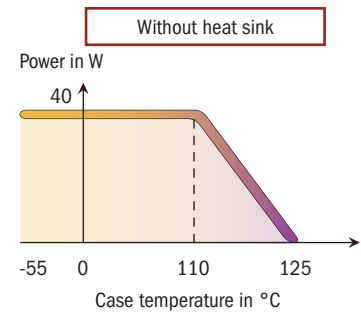
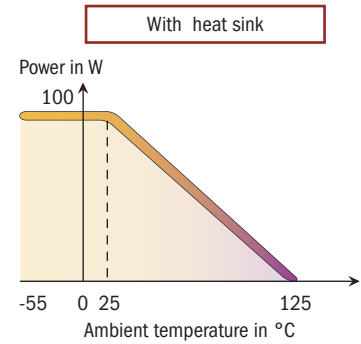


Standards  
NF C 96-315  
MIL-DTL-3933



Impedance	50 Ω ± 5%
Frequency	DC - 2.5 GHz
Max VSWR	≤ 1.20 at 1 GHz, ≤ 1.30 at 2 GHz
Temperature range	-55 to +125°C
Average power @ 25°C	40 W (without heat sink) 100 W (with heat sink)
Weight	440 g



Dimensions in mm

Attenuation (dB)	P/N (N m/f)	P/N (N f/f)	Accuracy* ±Δα (dB)
3	16-4433	16-4994	0.3
4	16-0018	16-0019	0.3
6	16-4434	16-4995	0.3
10	16-3498	16-4307	0.5
20	16-4435	16-4996	0.5
30	16-4999	16-4997	1
30 (at 1GHz)	16-0102	16-0103	0.4
40	16-4897	16-4998	1

\* at 2 GHz

Model available with 7-16 connector  
Others attenuations on request

