



229WET WR229 Waveguide E-Plane Tee 3.3-4.9GHz with Three Rectangular Waveguide Interfaces

WR229 Waveguide E-Plane Tee Operating From 3.3 to 4.9GHz with Three Rectangular Waveguide Interfaces

### Product Information

SKU	229WET	Patents	ZL201830355373.X (China)
-----	--------	---------	--------------------------

### Description

Waveguide E-plane tee 229WET, operating from 3.3 to 4.9GHz with a 0.15dB insertion loss and low VSWR 1.50:1. 229WET is a three-ports waveguide connector. All the ports have standard WR229 waveguides with the same flanges FDP40(UDR40). The waveguide E-plane tees are used to separate the signal at E plane rectangular port into the collinear arm with the two rectangular waveguide ports or synthesize the signal from the two ports of the collinear arm into the E plane port.

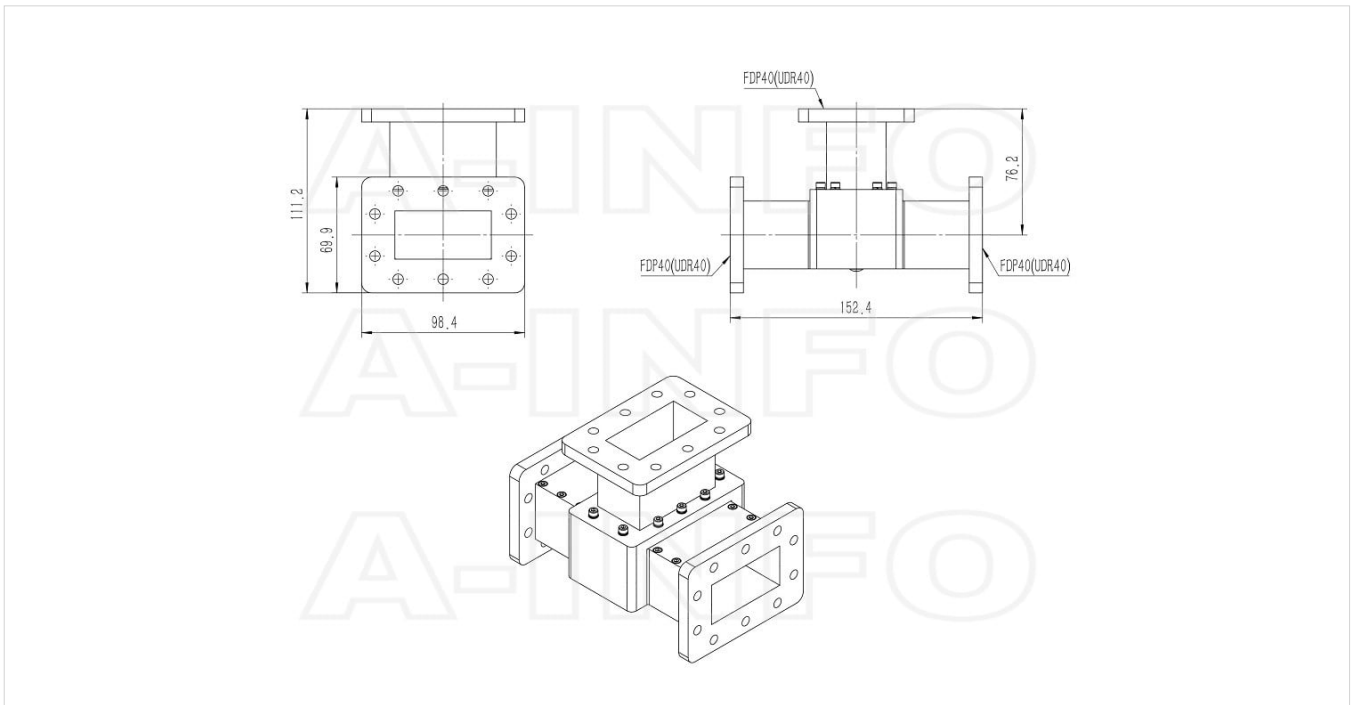
### Technical Specification

<b>Electrical Specification</b>		<b>Interface</b>	
WG Tee Type	E-Plane Tee	Flange 3 Style	Rectangular
Waveguide Band	S C	Flange 3 Type	Cover
Waveguide Type	Rectangular	Flange 3 Designation	FDP40(UDR40)
Waveguide Size EIA WR	WR229	<b>Mechanical Specification</b>	
Frequency, Min (GHz)	3.3	Body Material	Al
Frequency, Max (GHz)	4.9	Size, L (mm)	152.4
I.L., Typ (dB)	0.15	Size, W (mm)	98.4
I.L., Max (dB)	0.2	Size, H (mm)	111.2
VSWR, Typ	1.50:1	Weight, (kg)	1.12
Amplitude Balance, Max (±dB)	0.25	Pressure Sealed	No
Phase Balance, Max (Deg.)	5	<b>Environmental Specification</b>	
Power Handling, CW, (W)	3300	Operating Temp. Low (°C)	-55
Power Handling, Peak, (KW)	1700	Operating Temp. High (°C)	85
<b>Interface</b>		Storage Temp. Low (°C)	-60
Flange 1 Style	Rectangular	Storage Temp. High (°C)	90
Flange 1 Type	Cover		
Flange 1 Designation	FDP40(UDR40)		
Flange 2 Style	Rectangular		
Flange 2 Type	Cover		
Flange 2 Designation	FDP40(UDR40)		

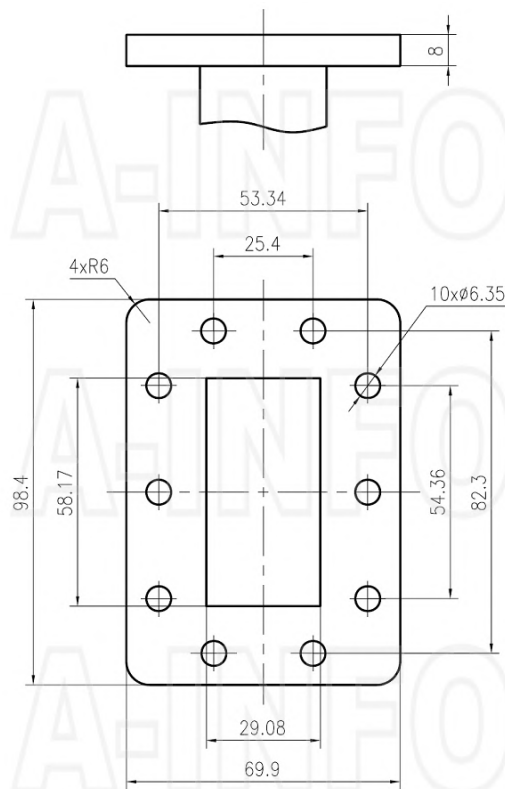
### Additional Information

Application	General Purpose Indoor & Outdoor, Fixed
-------------	---

Outline Drawing(Size: mm)



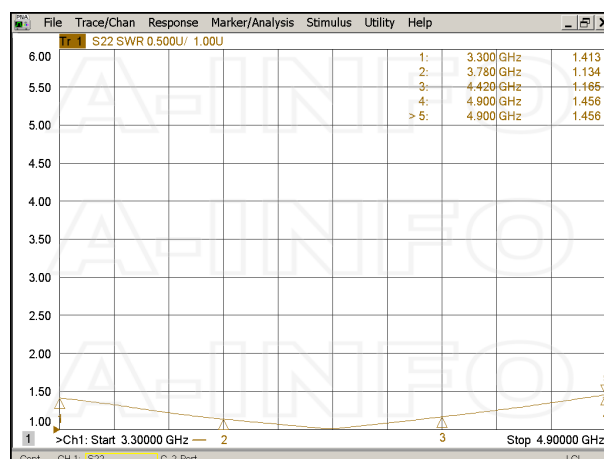
## Flange Drawing(Size: mm)



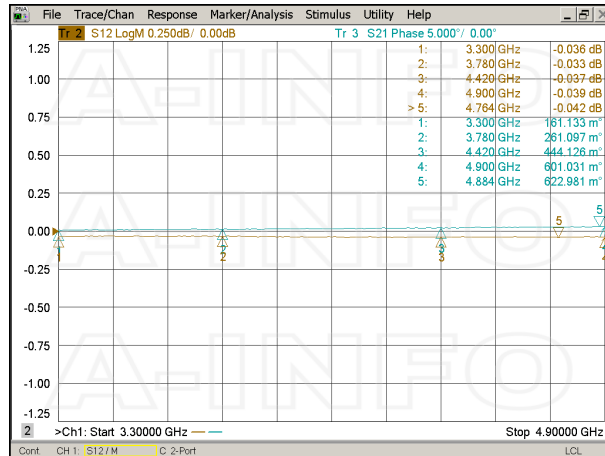
FDP40

## Typical Test Results

### VSWR



### Amplitude Balance & Phase Balance



### Similar Products



187WET WR187 Waveguide E-Plane Tee 3.95-5.85GHz with Three Rectangular Waveguide Interfaces



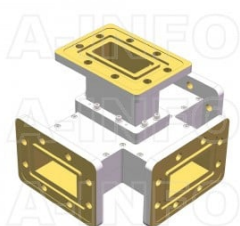
187WET/C10 WR187 Waveguide E-Plane Tee 4.4-5GHz with Three Rectangular Waveguide Interfaces



187WHT WR187 Waveguide H-Plane Tee 3.95-5.85GHz with Three Rectangular Waveguide Interfaces



187WMT WR187 Waveguide Magic Tee 3.95-5.85GHz with Four Rectangular Waveguide Interfaces



187WMT\_DMDMDMDM WR187 Waveguide Magic Tee 3.95-5.85GHz with Four Rectangular Waveguide Interfaces



229WHT WR229 Waveguide H-Plane Tee 3.3-4.9GHz with Three Rectangular Waveguide Interfaces



229WMT WR229 Waveguide Magic Tee 3.3-4.9GHz with Four Rectangular Waveguide Interfaces



284WET WR284 Waveguide E-Plane Tee 2.6-3.95GHz with Three Rectangular Waveguide Interfaces



284WHT WR284 Waveguide H-Plane Tee 2.6-3.95GHz with Three Rectangular Waveguide Interfaces



284WMT WR284 Waveguide Magic Tee 2.6-3.95GHz with Four Rectangular Waveguide Interfaces



284WMT\_PM5 WR284 Waveguide Magic Tee 2.6-3.95GHz with Four Rectangular Waveguide Interfaces



284WMT\_PM6 WR284 Waveguide Magic Tee 2.6-3.95GHz with Four Rectangular Waveguide Interfaces

## About this Datasheet

<ul style="list-style-type: none"> <li>● <b>Product Information</b></li> </ul> <p>Product Link:  <a href="https://www.ainfoinc.com/229wet-wr229-waveguide-e-plane-tee-3-3-4-9-ghz-fdp40-udr40">https://www.ainfoinc.com/229wet-wr229-waveguide-e-plane-tee-3-3-4-9-ghz-fdp40-udr40</a>            Data subject to change without notice.            © A-INFO INC. 2024. All Rights Reserved</p>	<ul style="list-style-type: none"> <li>● <b>Contact Us</b></li> </ul> <p>Address:            60 Tesla, Irvine, CA 92618, USA</p> <p>Website:  <a href="http://www.ainfoinc.com">www.ainfoinc.com</a></p> <p>Email:  <a href="mailto:sales@ainfoinc.com">sales@ainfoinc.com</a></p>	<ul style="list-style-type: none"> <li>● <b>Phone &amp; Fax</b></li> </ul> <p>Phone:            +1-949-639-9688            +1-949-639-9608</p> <p>Fax:            +1-949-639-9670</p>
---	--	---