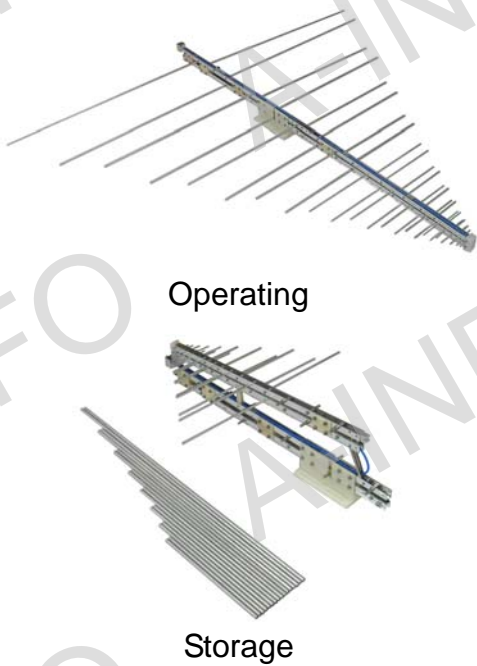


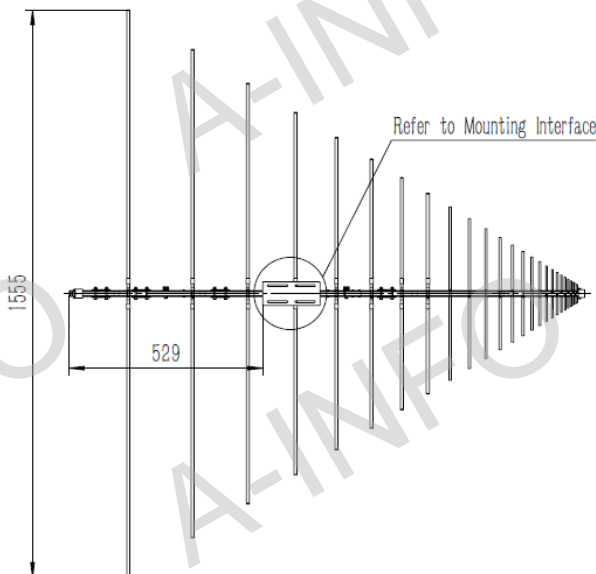
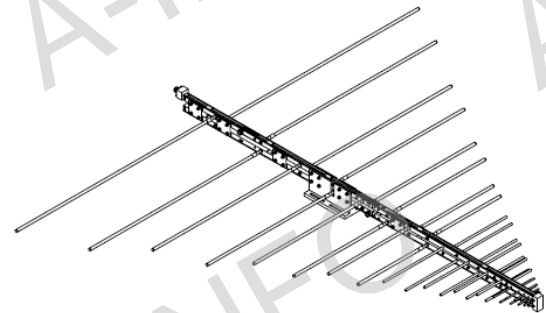
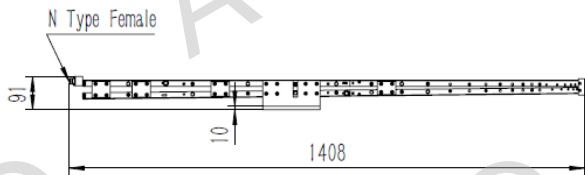
Technical Specification



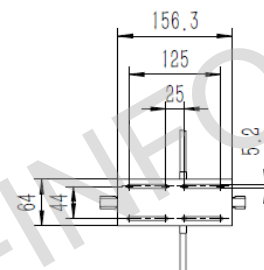
Frequency Range(GHz)	0.1 - 2.0	
Gain(dBi)	6 Typ.	
Polarization	Linear	
VSWR	2.0:1 Max.	
Connector	N-Female	
Material	Al	
Size(mm)	Operating	1408 x 1555
	Storage	767 x 475 x 184
Net Weight(Kg)	2.4 Around	

Outline Drawing (Size: mm)

Operating Status



Mounting Interface



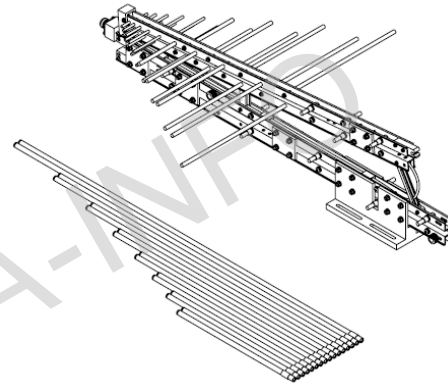
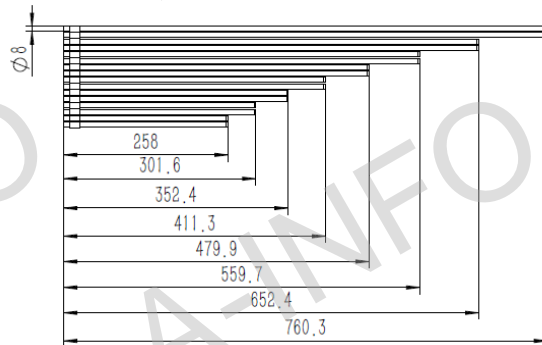
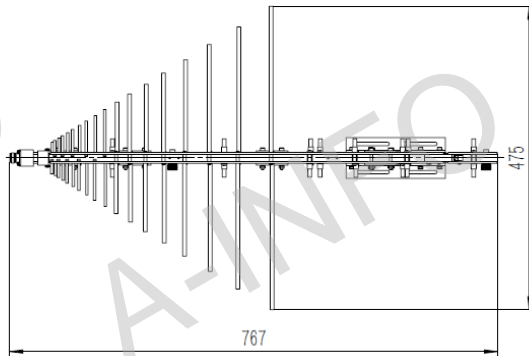
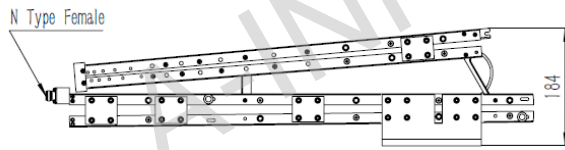
AINFO Inc.

Page 1 of 4

China(Beijing): Tel: (+86) 10-6266-7326, (+86) 10-6266-7327 Fax: (+86) 10-6266-7379
 China(Chengdu): Tel: (+86) 28-8519-2786, (+86) 28-8519-3044 Fax: (+86) 28-8519-3068
 USA: Tel: (+1) 949-639-9688, (+1) 949-639-9608 Fax: (+1) 949-639-9670

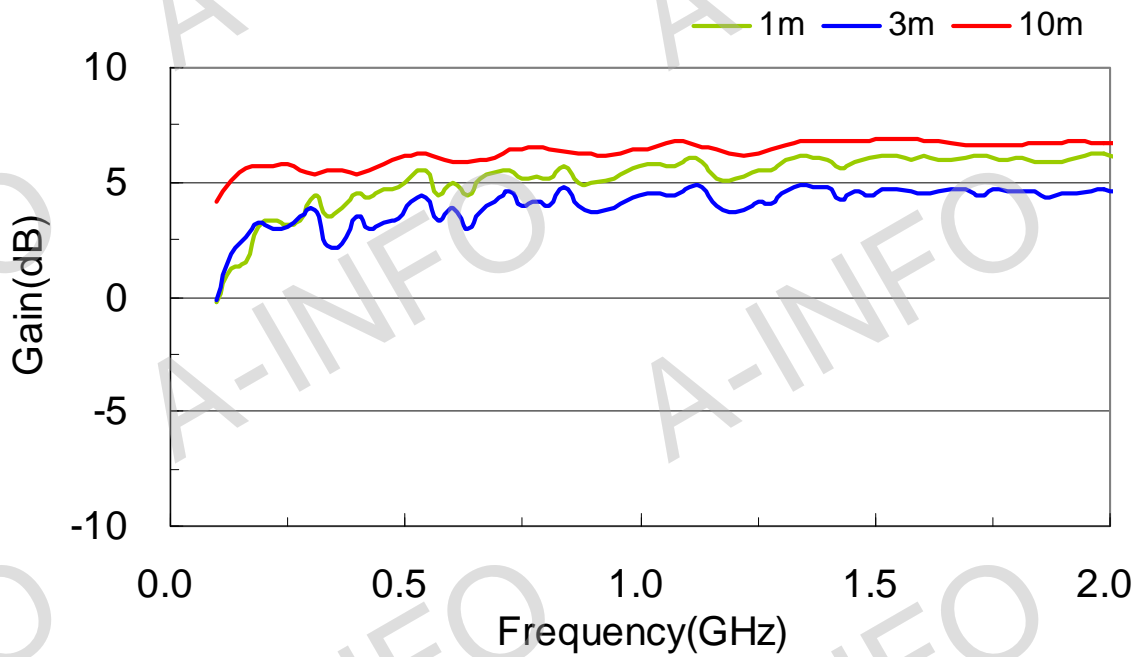
Website: www.ainfoinc.com
 Email: sales@ainfoinc.com

Storage Status

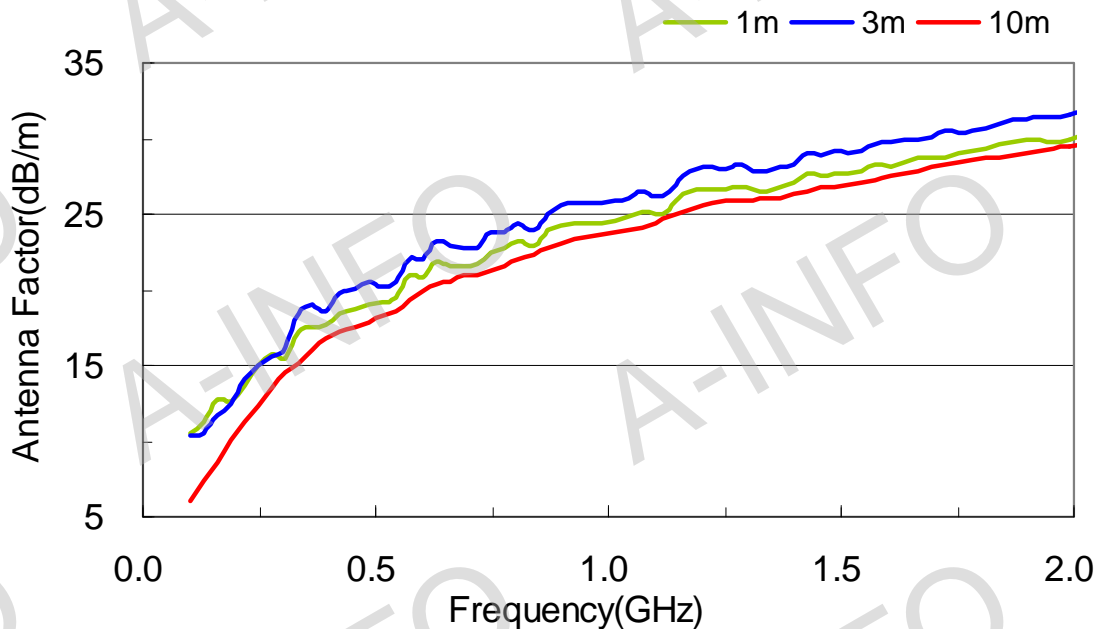


Test Results

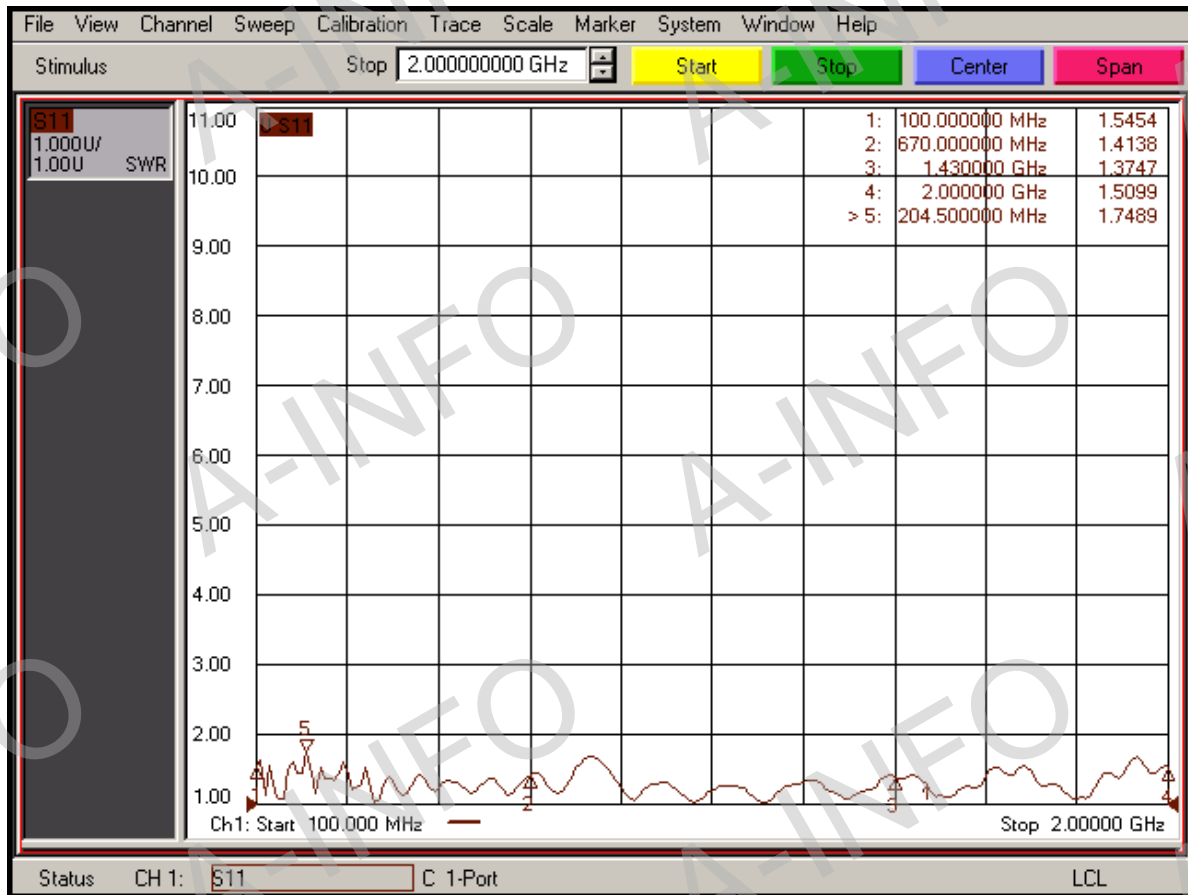
1. Gain



2. Antenna Factor



3. VSWR



4. Pattern

