

650WPL WR650 Waveguide Precision Load 1.12-1.7GHz with Rectangular Waveguide Interface



WR650 Waveguide Precision Load Operating From 1.12 to 1.7GHz with Rectangular Waveguide Interface

Product Information

SKU	650WPL
-----	--------

Description

Waveguide precision load 650WPL, operating from 1.12 to 1.7GHz and low VSWR 1.04:1. 650WPL covers the 650WPL sub waveguide band and comes with one flange FDP14(UDR14). It can handle 25 continuously and 25 peak power. A-INFO Precision Flange(APF) is available for this series. The WPL series low power waveguide fixed terminations are precision, low VSWR terminations suited to a wide variety of precision laboratory applications. The typical applications include full band one-Interface calibration and full two-Interface, isolation calibration. TRM (Thru-Reflect-Match) and SSLT (Short-Short-Load- Thru) calibration methods are supInterfaceed.

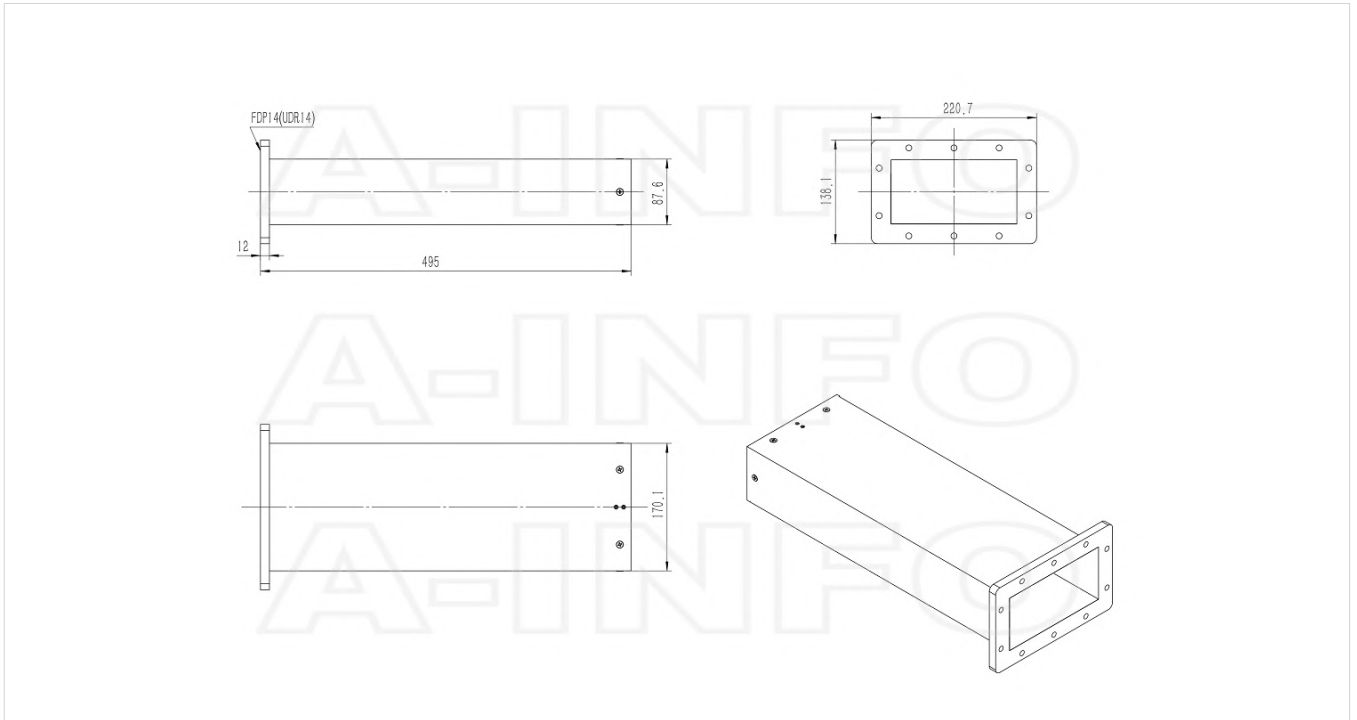
Technical Specification

Electrical Specification		Mechanical Specification	
WG Load Type	Precision	Body Material	Al
Waveguide Band	L	Size, L (mm)	495
Waveguide Type	Rectangular	Size, W (mm)	220.7
Waveguide Size EIA WR	WR650	Size, H (mm)	138.1
Frequency, Min (GHz)	1.12	Weight, (kg)	6.2
Frequency, Max (GHz)	1.7	Pressure Sealed	No
VSWR, Typ	1.03:1	Environmental Specification	
VSWR, Max	1.04:1	Operating Temp. Low (°C)	-55
Power Handling, CW, (W)	25	Operating Temp. High (°C)	85
Power Handling, Peak, (KW)	25	Storage Temp. Low (°C)	-60
Interface		Storage Temp. High (°C)	90
Flange Style	Rectangular		
Flange Type	Cover		
Flange Designation	FDP14(UDR14)		

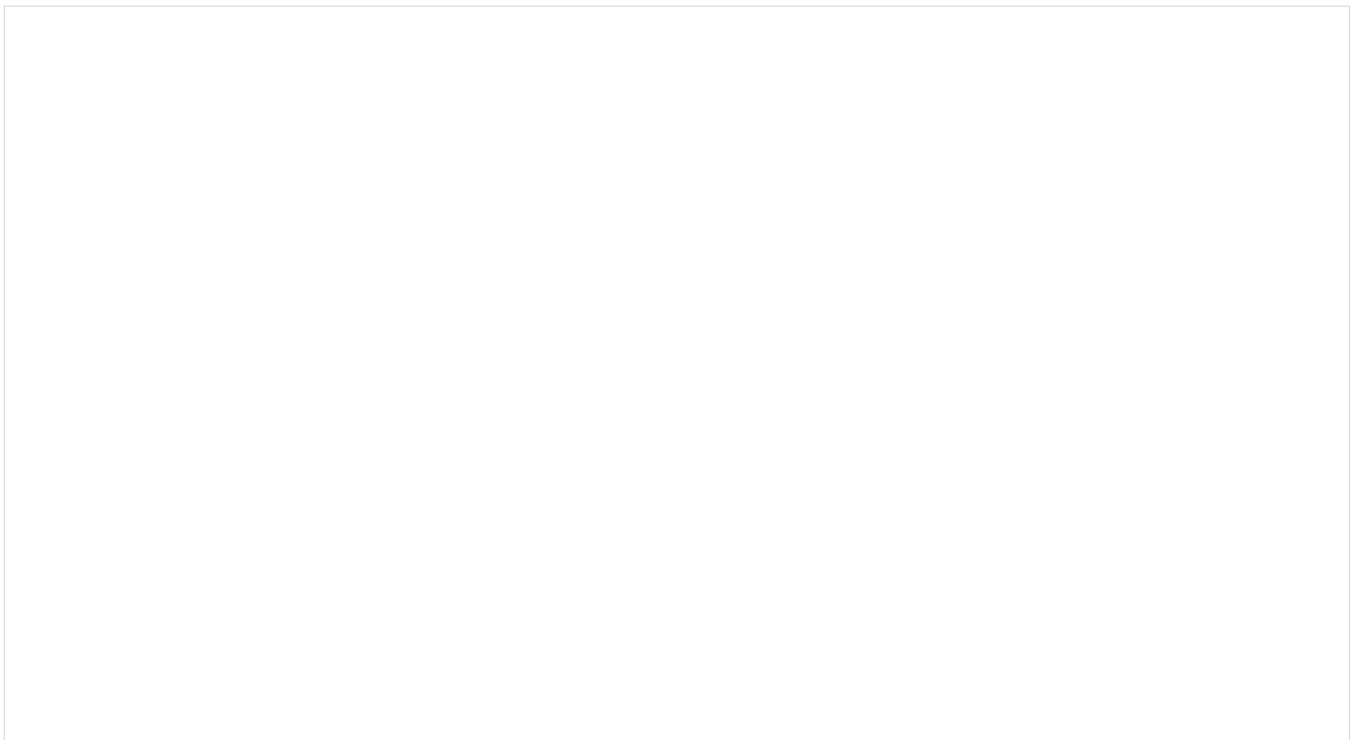
Additional Information

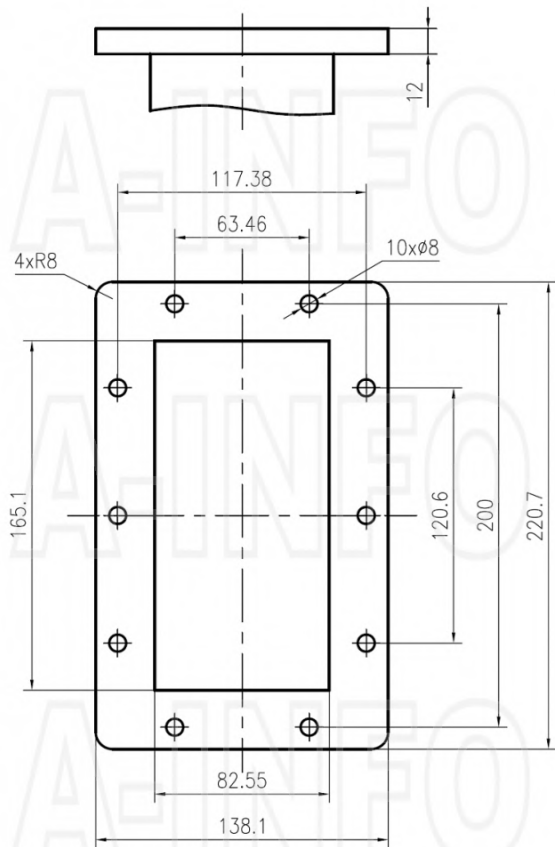
Application	General Purpose Indoor & Outdoor, Fixed
-------------	---

Outline Drawing



Flange Drawing

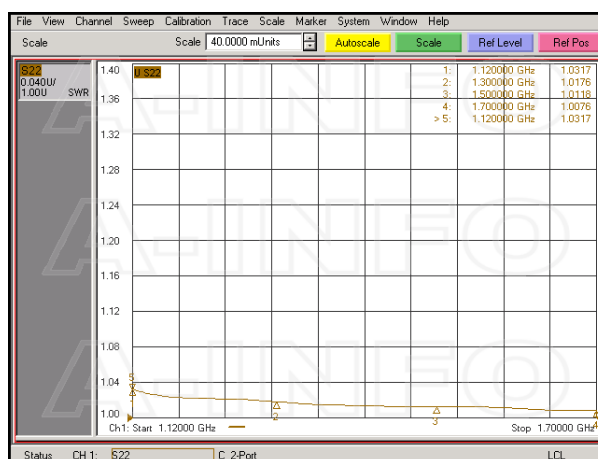




FDP14

Typical Test Results

VSWR



About this Datasheet

<ul style="list-style-type: none">● Product Information Product Link: https://www.ainfoinc.com/650wpl-wr650-waveguide-precision-load-1-12-1-7-ghz-fdp14-udr14 Data subject to change without notice. © A-INFO INC. 2024. All Rights Reserved	<ul style="list-style-type: none">● Contact Us Address: 60 Tesla, Irvine, CA 92618, USA Website: www.ainfoinc.com Email: sales@ainfoinc.com	<ul style="list-style-type: none">● Phone & Fax Phone: +1-949-639-9688 +1-949-639-9608 Fax: +1-949-639-9670
---	---	---