

75WHT WR75 Waveguide H-Plane Tee 10-15GHz with Three Rectangular Waveguide Interfaces



WR75 Waveguide H-Plane Tee Operating From 10 to 15GHz with Three Rectangular Waveguide Interfaces

Product Information

SKU	75WHT
-----	-------

Description

Waveguide H-plane tee 75WHT, operating from 10 to 15GHz with a 0.2dB insertion loss and low VSWR 1.50:1. 75WHT is a three-ports waveguide connector. All the ports have standard WR75 waveguides with the same flanges FBP120(UBR120). The waveguide H-plane tees are used to separate the signal at H plane rectangular port into the collinear arm with the two rectangular waveguide ports or synthesize the signal from the two ports of the collinear arm into the H plane port.

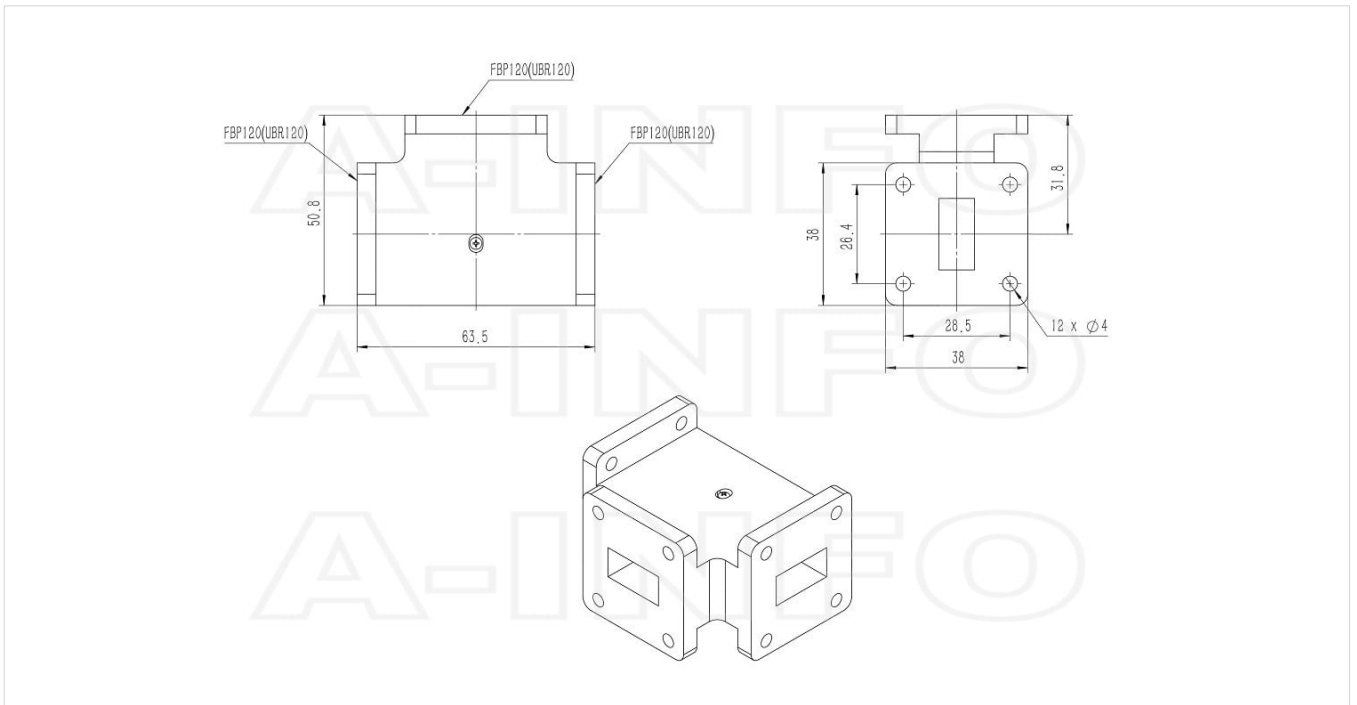
Technical Specification

Electrical Specification		Interface	
WG Tee Type	H-Plane Tee	Flange 3 Style	Square
Waveguide Band	X Ku	Flange 3 Type	Cover
Waveguide Type	Rectangular	Flange 3 Designation	FBP120(UBR120)
Waveguide Size EIA WR	WR75	Mechanical Specification	
Frequency, Min (GHz)	10	Body Material	Al
Frequency, Max (GHz)	15	Size, L (mm)	63.5
I.L., Typ (dB)	0.2	Size, W (mm)	38
I.L., Max (dB)	0.3	Size, H (mm)	50.8
VSWR, Typ	1.50:1	Weight, (kg)	0.2
Power Handling, CW, (W)	260	Pressure Sealed	No
Power Handling, Peak, (KW)	170	Environmental Specification	
Interface		Operating Temp. Low (°C)	-55
Flange 1 Style	Square	Operating Temp. High (°C)	85
Flange 1 Type	Cover	Storage Temp. Low (°C)	-60
Flange 1 Designation	FBP120(UBR120)	Storage Temp. High (°C)	90
Flange 2 Style	Square		
Flange 2 Type	Cover		
Flange 2 Designation	FBP120(UBR120)		

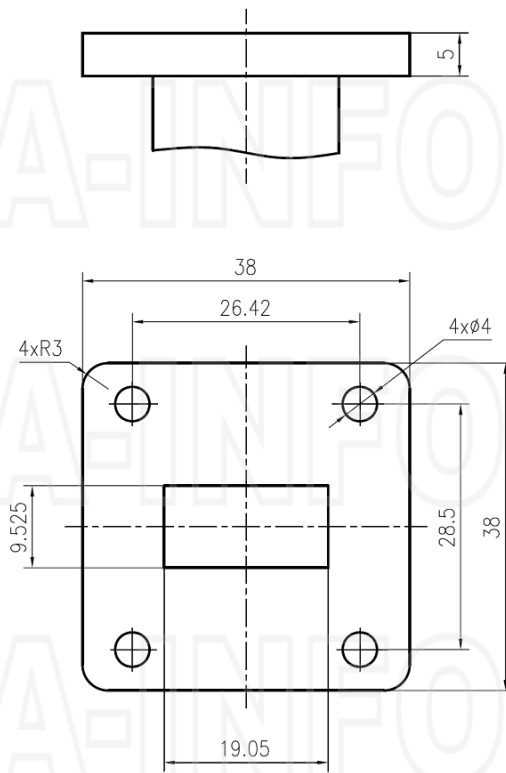
Additional Information

Application	General Purpose Indoor & Outdoor, Fixed
-------------	---

Outline Drawing(Size: mm)



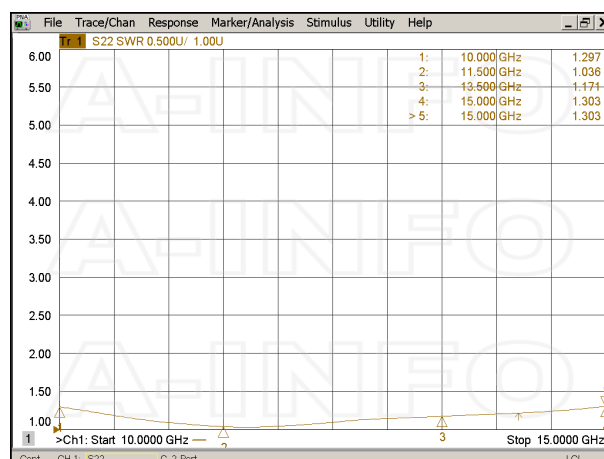
Flange Drawing(Size: mm)



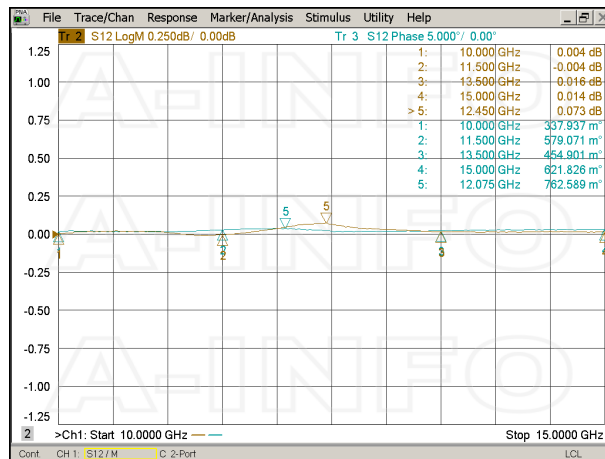
FBP120

Typical Test Results

VSWR



Unbalance



Similar Products



62WET WR62 Waveguide E-Plane Tee 12.4-18GHz with Three Rectangular Waveguide Interfaces



62WHT WR62 Waveguide H-Plane Tee 12.4-18GHz with Three Rectangular Waveguide Interfaces



62WMT WR62 Waveguide Magic Tee 12.4-18GHz with Four Rectangular Waveguide Interfaces



62WMT_BMBPBPBM WR62 Waveguide Magic Tee 12.4-18GHz with Four Rectangular Waveguide Interfaces



75WET WR75 Waveguide E-Plane Tee 10-15GHz with Three Rectangular Waveguide Interfaces



75WHT/C10 WR75 Waveguide H-Plane Tee 10.7-12.75GHz with Three Rectangular Waveguide Interfaces



75WMT WR75 Waveguide Magic Tee 10-15GHz with Four Rectangular Waveguide Interfaces



90WET WR90 Waveguide E-Plane Tee 8.2-12.4GHz with Three Rectangular Waveguide Interfaces



90WHT WR90 Waveguide H-Plane Tee 8.2-12.4GHz with Three Rectangular Waveguide Interfaces



90WMT WR90 Waveguide Magic Tee 8.2-12.4GHz with Four Rectangular Waveguide Interfaces

About this Datasheet

<ul style="list-style-type: none"> ● Product Information Product Link: https://www.ainfoinc.com/75wht-wr75-waveguide-h-plane-tee-10-15-ghz-fbp120-ubr120 Data subject to change without notice. © A-INFO INC. 2024. All Rights Reserved 	<ul style="list-style-type: none"> ● Contact Us Address: 60 Tesla, Irvine, CA 92618, USA Website: www.ainfoinc.com Email: sales@ainfoinc.com 	<ul style="list-style-type: none"> ● Phone & Fax Phone: +1-949-639-9688 +1-949-639-9608 Fax: +1-949-639-9670
---	--	--