

19WMT_Cu WR19 Waveguide Magic Tee 40-60GHz with Four Rectangular Waveguide Interfaces

WR19 Waveguide Magic Tee Operating From 40 to 60GHz with Four Rectangular Waveguide Interfaces

Product Information

SKU	19WMT_Cu
-----	----------

Description

Waveguide magic tee 19WMT_Cu, operating from 40 to 60GHz with 40dB isolation, H-Plane VSWR 1.40:1 and E-Plane VSWR 1.60:1. 19WMT_Cu is a four-ports hybrid coupler or power divider. All the ports have standard WR19 waveguides with the same flanges FUGP500(UG-383/U-M). The magic tee can be used as a power combiner or a power divider based on the given application's needs.

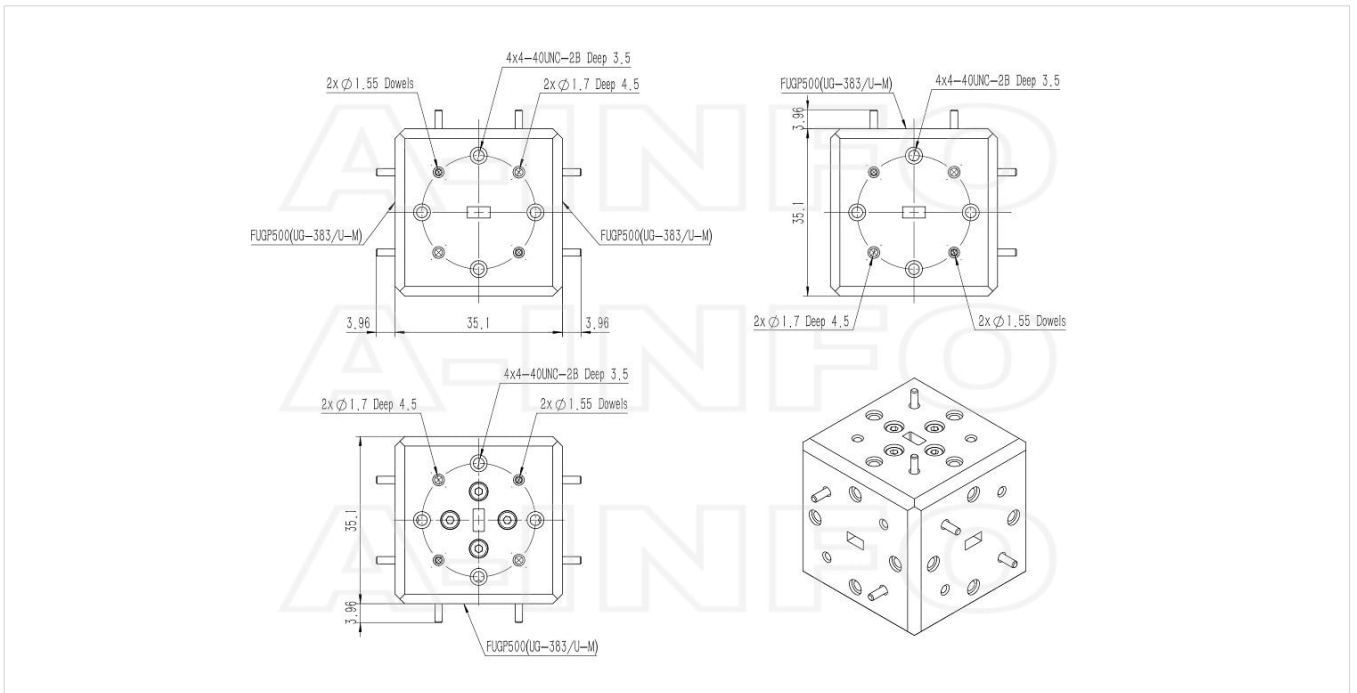
Technical Specification

Electrical Specification		Interface	
WG Tee Type	Magic Tee	Flange 3 Style	Round
Waveguide Band	U	Flange 3 Type	Cover
Waveguide Type	Rectangular	Flange 3 Designation	FUGP500(UG-383/U-M)
Waveguide Size EIA WR	WR19	Flange 4 Style	Round
Frequency, Min (GHz)	40	Flange 4 Type	Cover
Frequency, Max (GHz)	60	Flange 4 Designation	FUGP500(UG-383/U-M)
I.L., Max (dB)	0.6	Mechanical Specification	
VSWR, H-Plane, Typ	1.4	Body Material	Cu
VSWR, H-Plane, Typ	1.40:1	Size, L (mm)	35.1
VSWR, E-Plane, Typ	1.6	Size, W (mm)	35.1
VSWR, E-Plane, Typ	1.60:1	Size, H (mm)	35.1
Isolation, Min (dB)	30	Weight, (kg)	0.35
Isolation, Typ (dB)	40	Pressure Sealed	No
Power Handling, CW, (W)	18	Environmental Specification	
Power Handling, Peak, (KW)	10	Operating Temp. Low (°C)	-55
Interface		Operating Temp. High (°C)	85
Flange 1 Style	Round	Storage Temp. Low (°C)	-60
Flange 1 Type	Cover	Storage Temp. High (°C)	90
Flange 1 Designation	FUGP500(UG-383/U-M)		
Flange 2 Style	Round		
Flange 2 Type	Cover		
Flange 2 Designation	FUGP500(UG-383/U-M)		

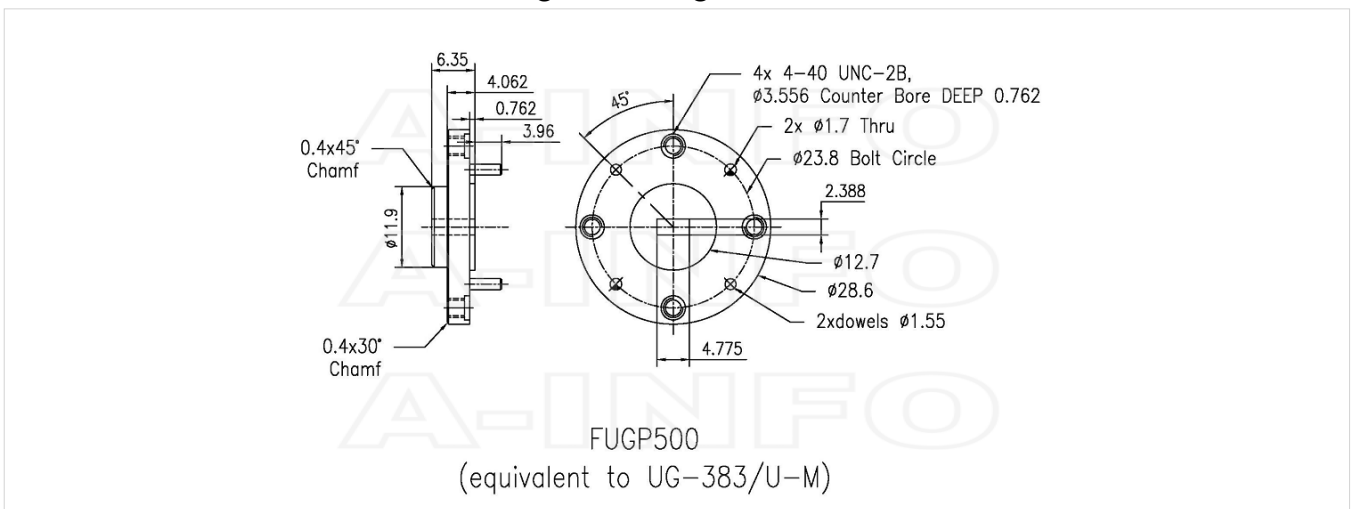
Additional Information

Application	General Purpose Indoor & Outdoor, Fixed
-------------	---

Outline Drawing(Size: mm)



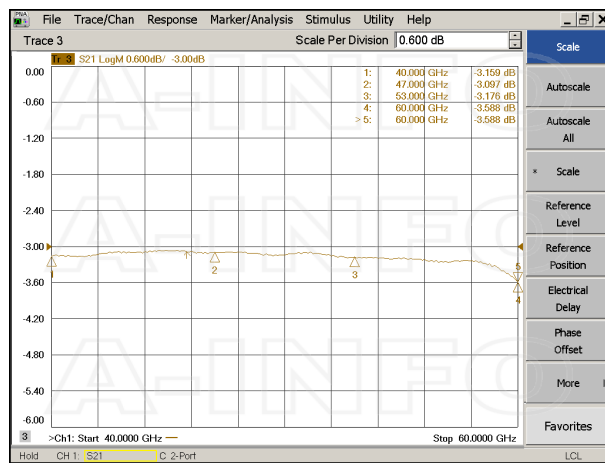
Flange Drawing(Size: mm)



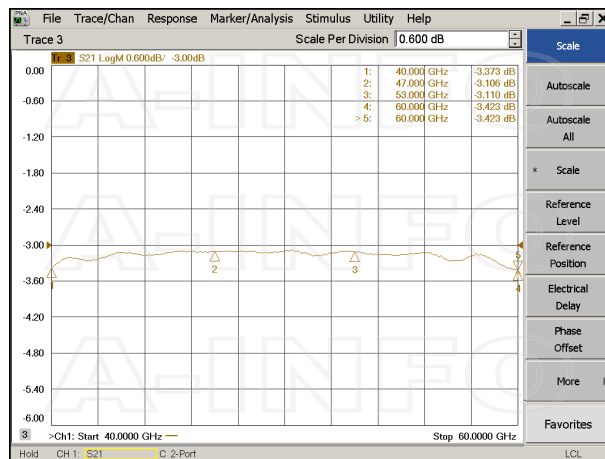
Typical Test Results

Insertion Loss(Including the theoretical loss 3.0dB)

E-Plane

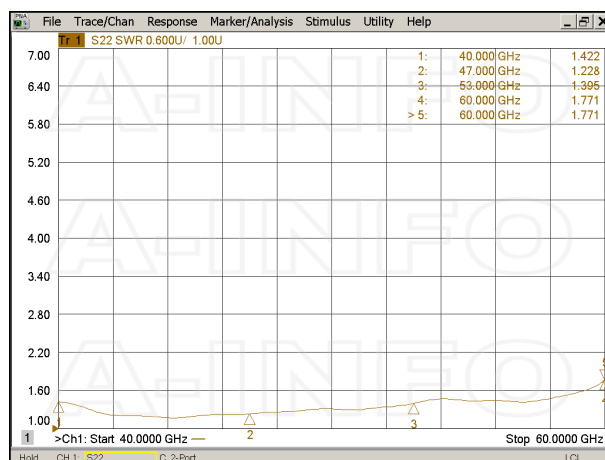


H-Plane

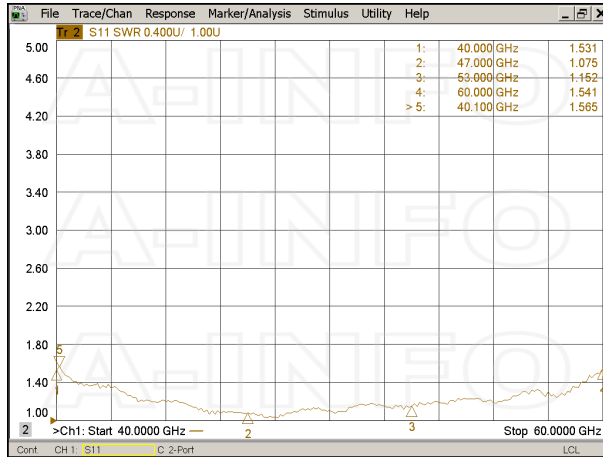


VSWR

E-Plane

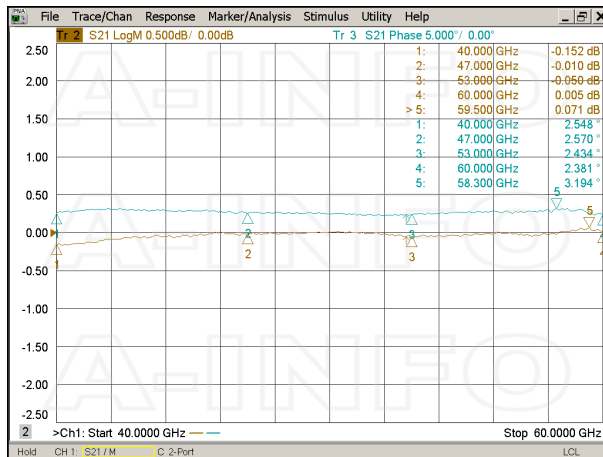


H-Plane

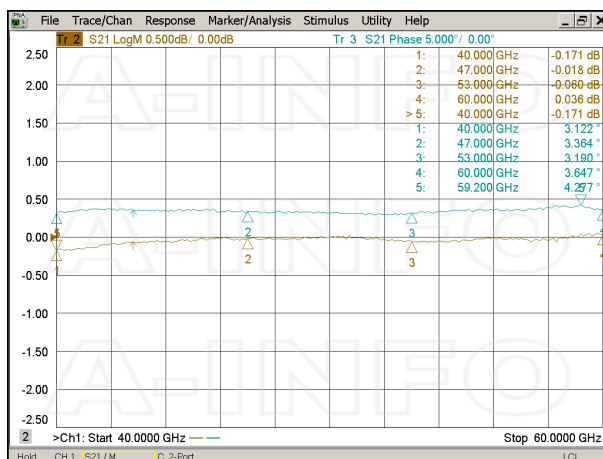


Unbalance

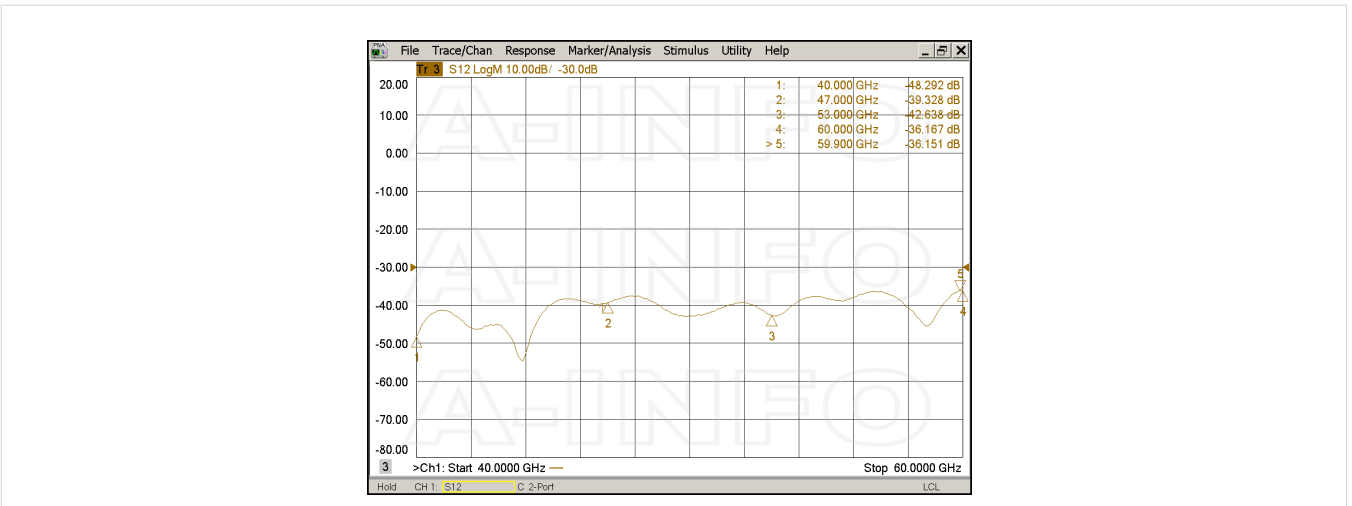
E-Plane



H-Plane



Isolation



Similar Products



19WET_Cu WR19 Waveguide E-Plane Tee 40-60GHz with Three Rectangular Waveguide Interfaces



22WMT_Cu WR22 Waveguide Magic Tee 33-50GHz with Four Rectangular Waveguide Interfaces



22WET_Cu WR22 Waveguide E-Plane Tee 33-50GHz with Three Rectangular Waveguide Interfaces



15WMT_Cu WR15 Waveguide Magic Tee 50-75GHz with Four Rectangular Waveguide Interfaces



15WET_Cu WR15 Waveguide E-Plane Tee 50-75GHz with Three Rectangular Waveguide Interfaces

About this Datasheet

<ul style="list-style-type: none">● Product Information <p>Product Link: https://www.ainfoinc.com/19wmt-cu-wr19-waveguide-magic-tee-40-60-ghz-fugp500-ug-383-u-m Data subject to change without notice. © A-INFO INC. 2024. All Rights Reserved</p>	<ul style="list-style-type: none">● Contact Us <p>Address: 60 Tesla, Irvine, CA 92618, USA</p> <p>Website: www.ainfoinc.com</p> <p>Email: sales@ainfoinc.com</p>	<ul style="list-style-type: none">● Phone & Fax <p>Phone: +1-949-639-9688 +1-949-639-9608</p> <p>Fax: +1-949-639-9670</p>
--	---	--