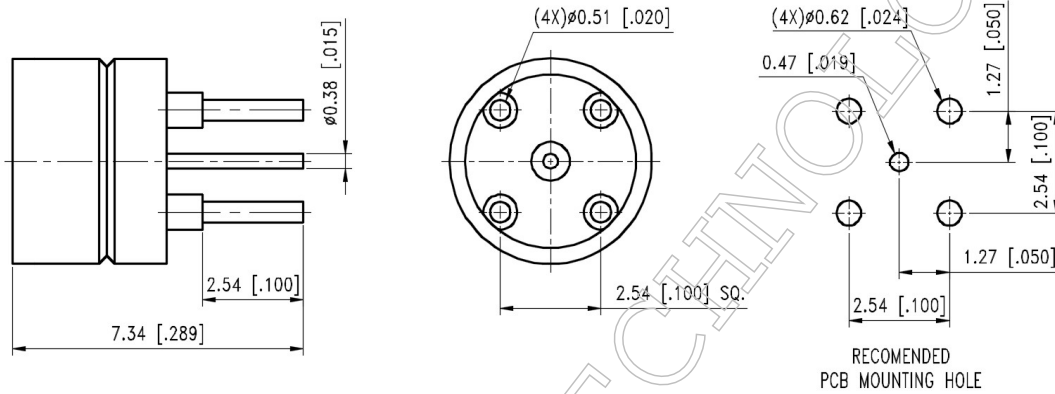


■ **Outline Dimension Drawing**

Dimensions: mm[inch]



■ **Material Specification**

Description	Material	Plating
Body	Stainless steel	Passivate
Body	BeCu	Gold
Contact	BeCu	Gold
Dielectric	PTFE	

In the effort to improve our products, we reserve the right to make changes judged to be necessary

■ Electrical Specification

Description		Description	
Impedance	50 Ω	Insulation Resistance	5000 MΩ Min.
Frequency	20 GHz	Inner Contact Resistance	6 mΩ Max.
VSWR	1.3 Max.	Outer Contact Resistance	2 mΩ Max.
Insertion Loss	0.53 dB Max.		
Voltage Rating	325 Vrms Max.		
Dielectric Withstanding Voltage	500 Vrms Max.		

■ Mechanical Specification

Description		Description	
Engagement Force			
Full Detent	4.3 lbs. Max.		
Disengagement Force			
Full Detent	3.8 lbs. Min.		
Connector Durability	100 matings min.		
Center Contact			
Axial Force-Mating End	1.5 lbs.		
Axial Force-Opposite End	1.5 lbs.		
Weight	N/A g		

■ Environmental Specification

Description		Description	
Temperature Min.	-55 °C		
Temperature Max.	155 °C		
Hermetic Seal	N/A		

In the effort to improve our products, we reserve the right to make changes judged to be necessary