

159WPL WR159 Waveguide Precision Load 4.9-7.05GHz with Rectangular Waveguide Interface



WR159 Waveguide Precision Load Operating From 4.9 to 7.05GHz with Rectangular Waveguide Interface

Product Information

SKU	159WPL
-----	--------

Description

Waveguide precision load 159WPL, operating from 4.9 to 7.05GHz and low VSWR 1.02:1. 159WPL covers the 159WPL sub waveguide band and comes with one flange FDP58(UDR58). It can handle 7 continuously and 7 peak power. A-INFO Precision Flange(APF) is available for this series. The WPL series low power waveguide fixed terminations are precision, low VSWR terminations suited to a wide variety of precision laboratory applications. The typical applications include full band one-Interface calibration and full two-Interface, isolation calibration. TRM (Thru-Reflect-Match) and SSLT (Short-Short-Load- Thru) calibration methods are supInterfaceed.

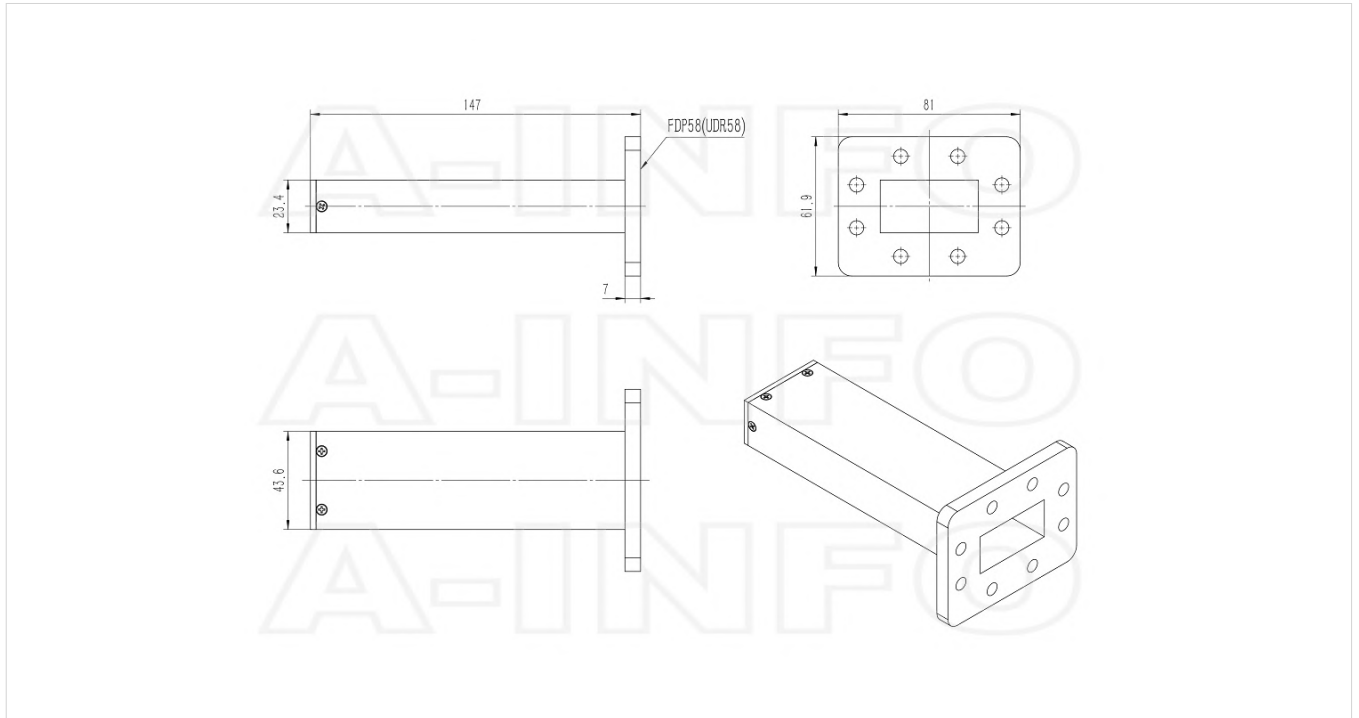
Technical Specification

Electrical Specification		Mechanical Specification	
WG Load Type	Precision	Body Material	Al
Waveguide Band	C	Size, L (mm)	147
Waveguide Type	Rectangular	Size, W (mm)	81
Waveguide Size EIA WR	WR159	Size, H (mm)	61.9
Frequency, Min (GHz)	4.9	Weight, (kg)	0.25
Frequency, Max (GHz)	7.05	Pressure Sealed	No
VSWR, Typ	1.015:1	Environmental Specification	
VSWR, Max	1.02:1	Operating Temp. Low (°C)	-55
Power Handling, CW, (W)	7	Operating Temp. High (°C)	85
Power Handling, Peak, (KW)	7	Storage Temp. Low (°C)	-60
Interface		Storage Temp. High (°C)	90
Flange Style	Rectangular		
Flange Type	Cover		
Flange Designation	FDP58(UDR58)		

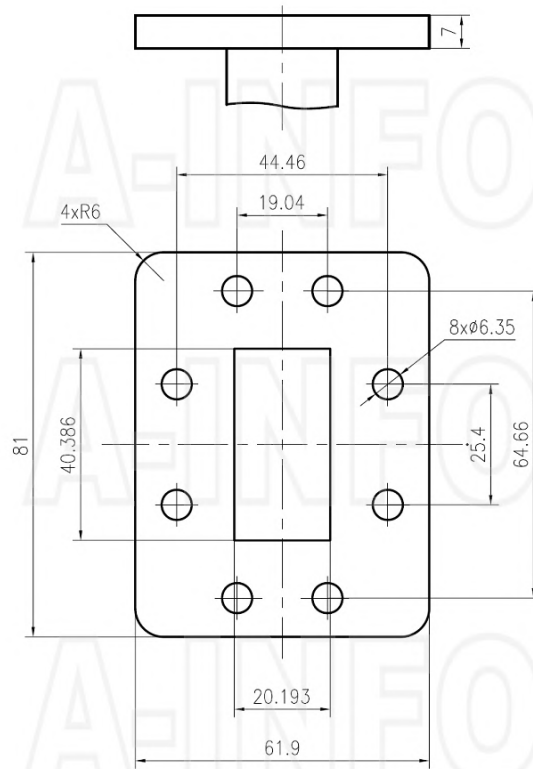
Additional Information

Application	General Purpose Indoor & Outdoor, Fixed
-------------	---

Outline Drawing



Flange Drawing



FDP58

About this Datasheet

<ul style="list-style-type: none"> ● Product Information <p>Product Link: https://www.ainfoinc.com/159wpl-wr159-waveguide-precision-load-4-9-7-05-ghz-fdp58-udr58 Data subject to change without notice. © A-INFO INC. 2024. All Rights Reserved</p>	<ul style="list-style-type: none"> ● Contact Us <p>Address: 60 Tesla, Irvine, CA 92618, USA</p> <p>Website: www.ainfoinc.com</p> <p>Email: sales@ainfoinc.com</p>	<ul style="list-style-type: none"> ● Phone & Fax <p>Phone: +1-949-639-9688 +1-949-639-9608</p> <p>Fax: +1-949-639-9670</p>
--	---	--