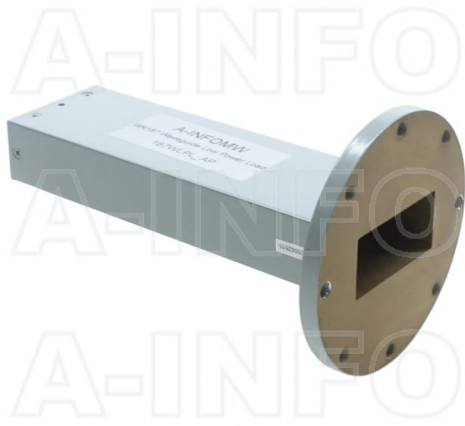


187WLPL_AP WR187 Waveguide Low Power Load 3.95-5.85GHz with Rectangular Waveguide Interface



WR187 Waveguide Low Power Load Operating From 3.95 to 5.85GHz with Rectangular Waveguide Interface

Product Information

SKU	187WLPL_AP
-----	------------

Description

Waveguide low power load 187WLPL_AP, operating from 3.95 to 5.85GHz and low VSWR 1.04:1 187WLPL_AP covers the WR187 sub waveguide band and comes with one flange FAP48(UAR48). It can handle 8W continuously and 8KW peak power. The WLPL series are for general version, low VSWR terminations for system application. The typical applications include system or test bench set-ups and small moderate power dummy loads.

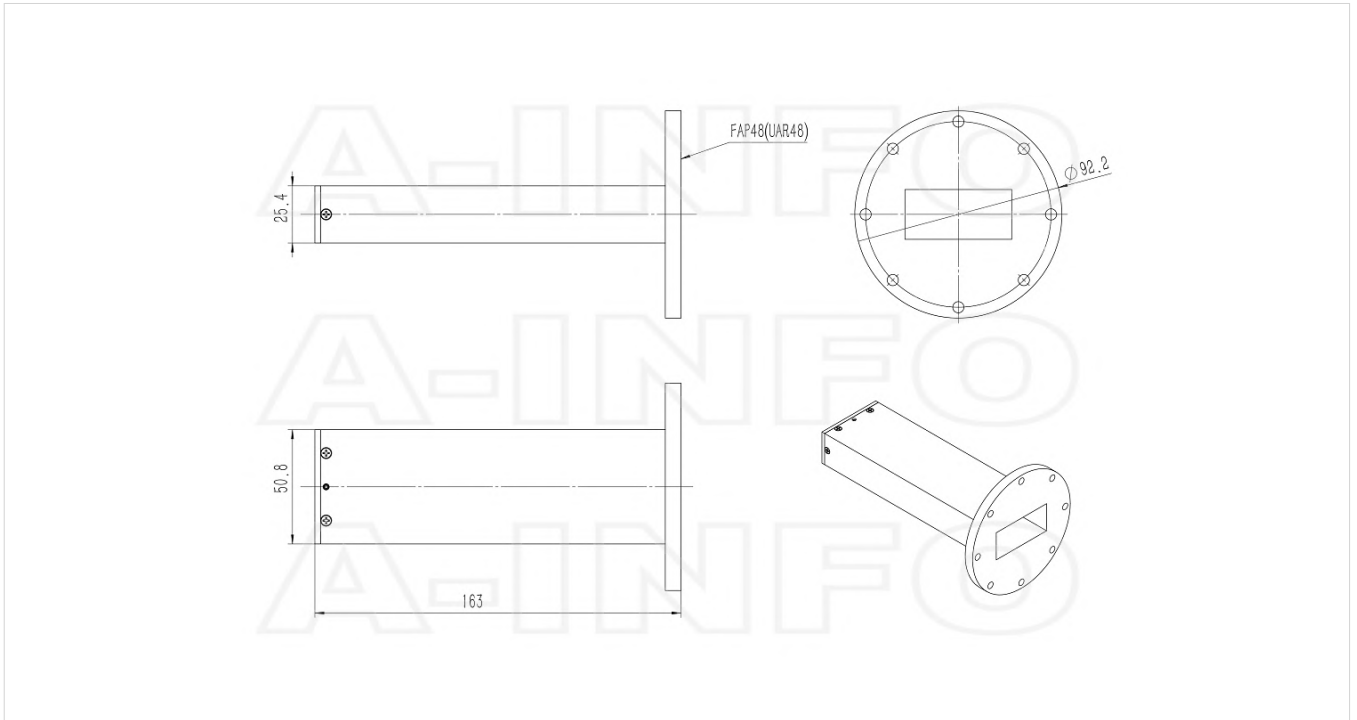
Technical Specification

Electrical Specification		Mechanical Specification	
WG Load Type	Low Power	Body Material	Al
Waveguide Band	S C	Finish	Chemical Conversion Coating, Gray Paint
Waveguide Type	Rectangular	Size, L (mm)	163
Waveguide Size EIA WR	WR187	Size, W (mm)	92.2
Frequency, Min (GHz)	3.95	Size, H (mm)	92.2
Frequency, Max (GHz)	5.85	Weight, (kg)	0.3
VSWR, Typ	1.03:1	Pressure Sealed	No
VSWR, Max	1.04:1	Environmental Specification	
Power Handling, CW, (W)	8	Operating Temp. Low (°C)	-55
Power Handling, Peak, (KW)	8	Operating Temp. High (°C)	85
Interface		Storage Temp. Low (°C)	-60
Flange Style	Round	Storage Temp. High (°C)	90
Flange Type	Cover		
Flange Designation	FAP48(UAR48)		

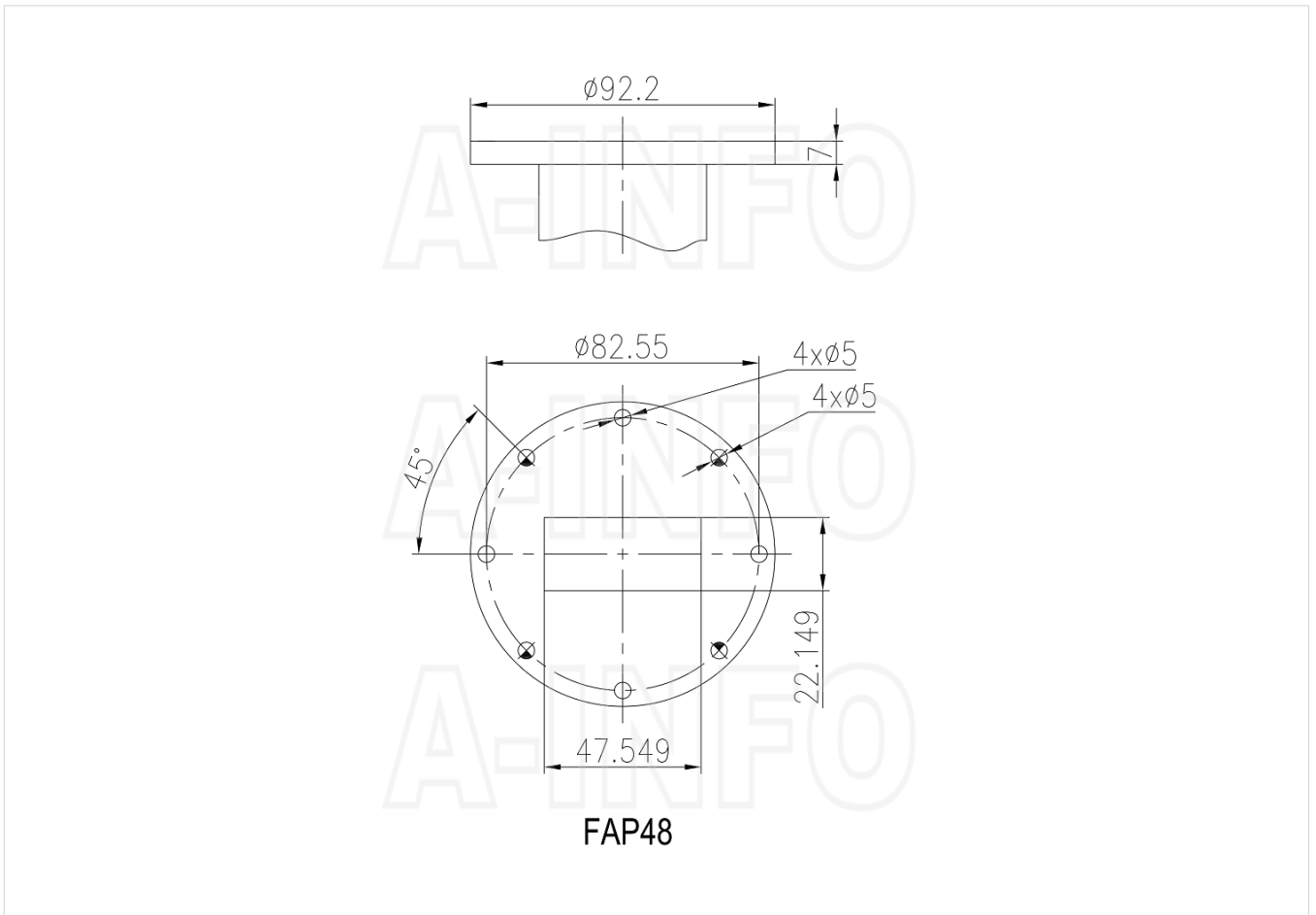
Additional Information

Application	General Purpose Indoor & Outdoor, Fixed
-------------	---

Outline Drawing

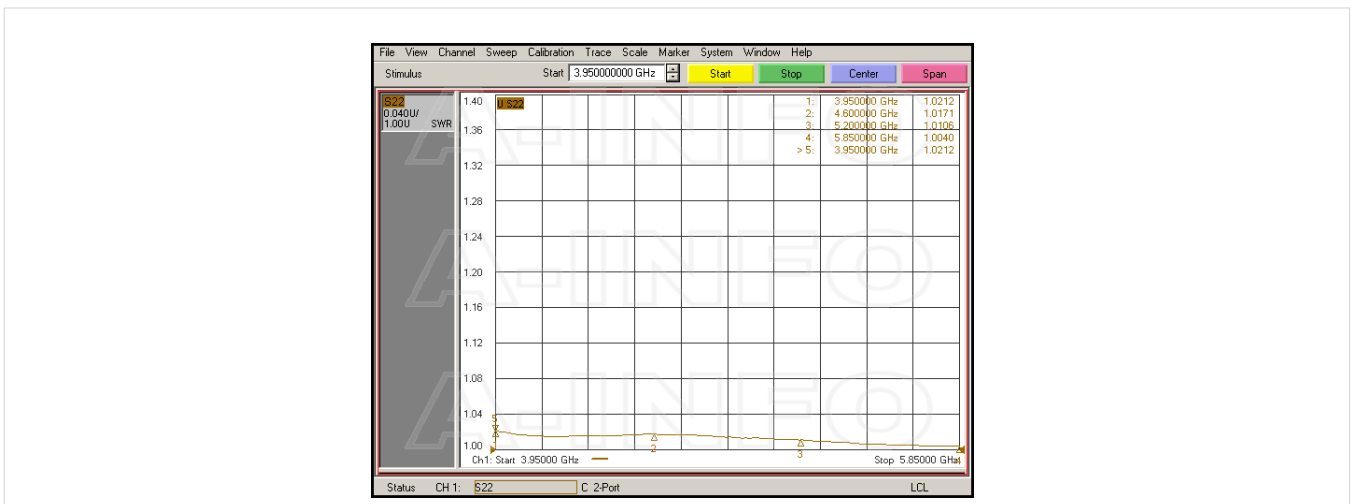


Flange Drawing



Typical Test Results

VSWR



About this Datasheet

<ul style="list-style-type: none">● Product Information Product Link: https://www.ainfoinc.com/187wpl-ap-wr187-waveguide-low-power-load-3-95-5-85-ghz-fap48-uar48 Data subject to change without notice. © A-INFO INC. 2024. All Rights Reserved	<ul style="list-style-type: none">● Contact Us Address: 60 Tesla, Irvine, CA 92618, USA Website: www.ainfoinc.com Email: sales@ainfoinc.com	<ul style="list-style-type: none">● Phone & Fax Phone: +1-949-639-9688 +1-949-639-9608 Fax: +1-949-639-9670
---	--	---