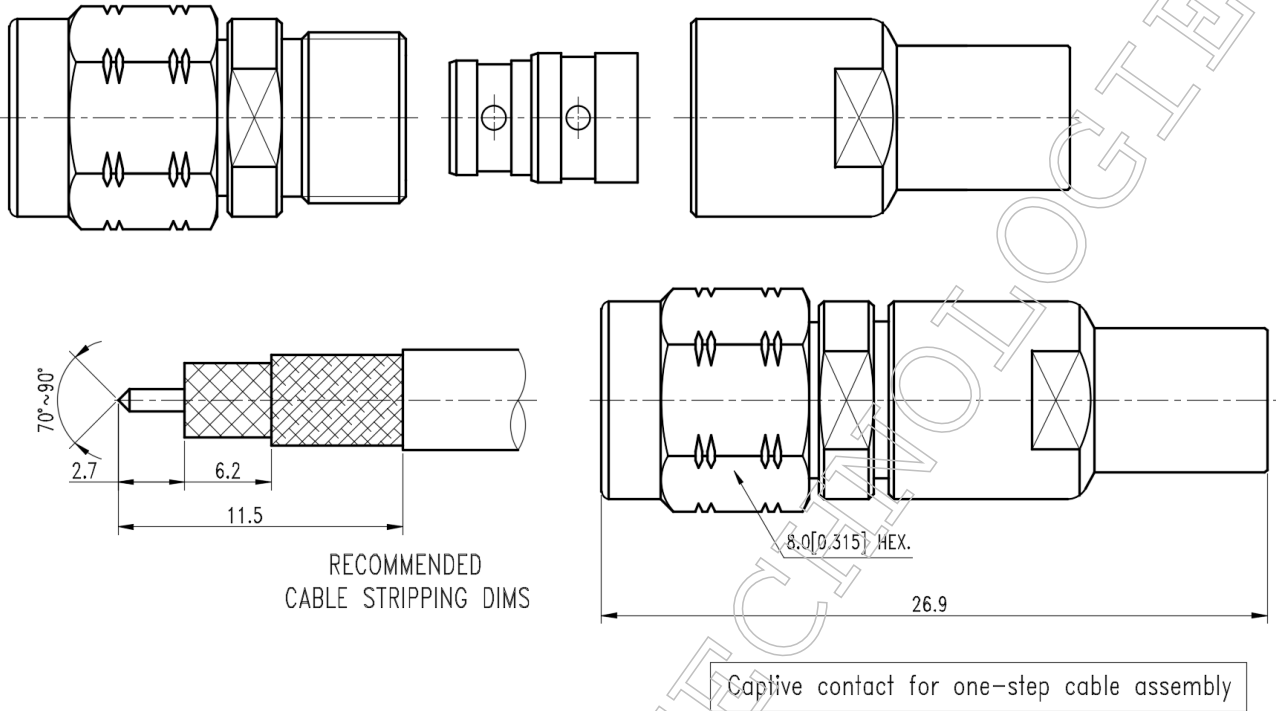




■ **Outline Dimension Drawing**

Dimensions: mm[inch]



■ **Material Specification**

Description	Material	Plating
Body*3	Stainless Steel	Passivate
Contact*2	BeCu	Gold
Dielectric	Higher Performance Application Material	
Clamp	Brass	Gold
Coupling Nut	Stainless Steel	Passivate
Retaining Ring	Stainless Steel	

In the effort to improve our products, we reserve the right to make changes judged to be necessary



■ **Electrical Specification**

Description		Description	
Impedance	50 Ω		
Frequency	40 GHz	Insulation Resistance	5000 M Ω Min.
VSWR	1.3 Max.	Inner Contact Resistance	6 m Ω Max.
Insertion Loss	0.4 dB Max.	Outer Contact Resistance	2 m Ω Max.
Voltage Rating	250 Vrms Max.		
Dielectric Withstanding Voltage	335 Vrms Max.		

■ **Mechanical Specification**

Description		Description	
Center Contact		Recommended Torque	7~9 in. lbs
Axial Force-Mating End	6 lbs.	Coupling Nut Retention	60.0 lbs Min.
Axial Force-Opposite End	N/A lbs.		
Connector Durability	500 cycles		
Weight	5.83 g		

■ **Environmental Specification**

Description		Description	
Temperature Min.	-65 °C		
Temperature Max.	165 °C		
Hermetic Seal	N/A		

In the effort to improve our products, we reserve the right to make changes judged to be necessary