

340WLPL WR340 Waveguide Low Power Load 2.2-3.3GHz with Rectangular Waveguide Interface



WR340 Waveguide Low Power Load Operating From 2.2 to 3.3GHz with Rectangular Waveguide Interface

Product Information

SKU	340WLPL
-----	---------

Description

Waveguide low power load 340WLPL, operating from 2.2 to 3.3GHz and low VSWR 1.05:1 340WLPL covers the WR340 sub waveguide band and comes with one flange FDP26(UDR26). It can handle 12W continuously and 12KW peak power. The WLPL series are for general version, low VSWR terminations for system application. The typical applications include system or test bench set-ups and small moderate power dummy loads.

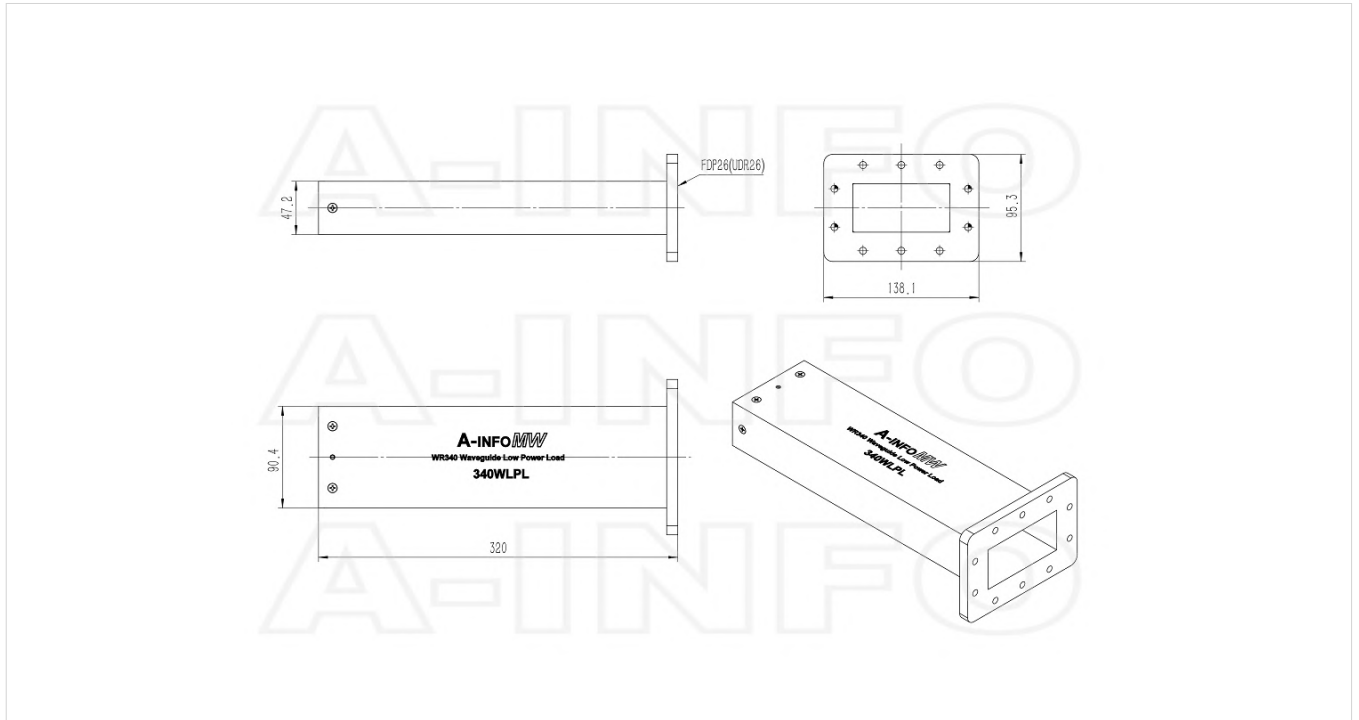
Technical Specification

Electrical Specification		Mechanical Specification	
WG Load Type	Low Power	Body Material	Al
Waveguide Band	S	Size, L (mm)	320
Waveguide Type	Rectangular	Size, W (mm)	138.1
Waveguide Size EIA WR	WR340	Size, H (mm)	95.3
Frequency, Min (GHz)	2.2	Weight, (kg)	1.5
Frequency, Max (GHz)	3.3	Pressure Sealed	No
VSWR, Typ	1.04:1	Environmental Specification	
VSWR, Max	1.05:1	Operating Temp. Low (°C)	-55
Power Handling, CW, (W)	12	Operating Temp. High (°C)	85
Power Handling, Peak, (KW)	12	Storage Temp. Low (°C)	-60
Interface		Storage Temp. High (°C)	90
Flange Style	Rectangular		
Flange Type	Cover		
Flange Designation	FDP26(UDR26)		

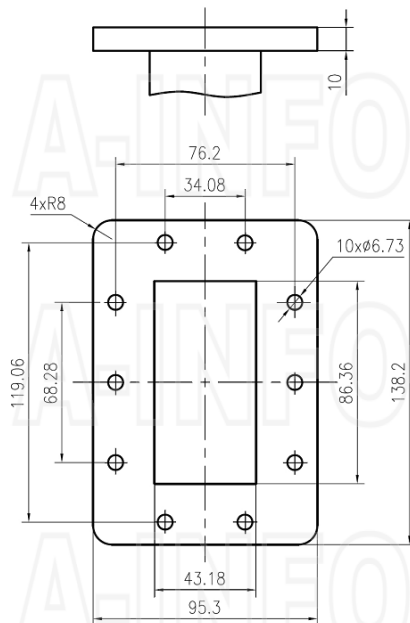
Additional Information

Application	General Purpose Indoor & Outdoor, Fixed
-------------	---

Outline Drawing



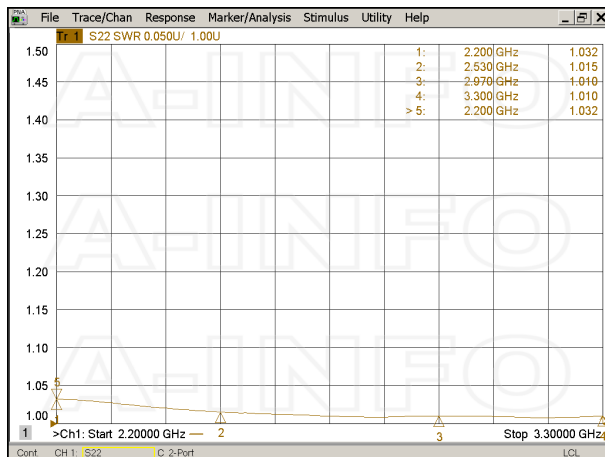
Flange Drawing



FDP26

Typical Test Results

VSWR



About this Datasheet

<ul style="list-style-type: none">● Product Information <p>Product Link: https://www.ainfoinc.com/340wpl-wr340-waveguide-low-power-load-2-2-3-3-ghz-fdp26-udr26 Data subject to change without notice. © A-INFO INC. 2024. All Rights Reserved</p>	<ul style="list-style-type: none">● Contact Us <p>Address: 60 Tesla, Irvine, CA 92618, USA</p> <p>Website: www.ainfoinc.com</p> <p>Email: sales@ainfoinc.com</p>	<ul style="list-style-type: none">● Phone & Fax <p>Phone: +1-949-639-9688 +1-949-639-9608</p> <p>Fax: +1-949-639-9670</p>
--	---	--