

0.5 W Low-Cost Packaged PHEMT GaAs Power FETs

FEATURES

- 27 dBm Typical Output Power at 6 GHz
- 11 dB Typical Linear Power Gain at 6 GHz
- High Linearity: IP3 = 37 dBm Typical at 6 GHz
- High Power Added Efficiency:
Nominal PAE of 37 % at 6 GHz
- Breakdown Voltage: $BV_{DGO} \geq 15$ V
- $L_g = 0.35$ μ m, $W_g = 1.2$ mm
- Tight V_p ranges control
- High RF input power handling capability
- 100 % DC Tested
- Micro-X Metal Ceramic Package

PHOTO ENLARGEMENT



DESCRIPTION

The TC2481 is packaged with the TC1401 Pseudomorphic High Electron Mobility Transistor (PHEMT) chip. All devices are 100% DC tested to assure consistent quality. Typical applications include high dynamic range power amplifiers for commercial applications.

ELECTRICAL SPECIFICATIONS ($T_A=25$ °C)

Symbol	CONDITIONS	MIN	TYP	MAX	UNIT
P_{1dB}	Output Power at 1dB Gain Compression Point, $f = 6$ GHz $V_{DS} = 8$ V, $I_{DS} = 120$ mA	26.5	27		dBm
G_L	Linear Power Gain, $f = 6$ GHz $V_{DS} = 8$ V, $I_{DS} = 120$ mA		11		dB
IP3	Intercept Point of the 3 rd -order Intermodulation, $f = 6$ GHz $V_{DS} = 8$ V, $I_{DS} = 120$ mA, $*P_{SCL} = 14$ dBm		37		dBm
PAE	Power Added Efficiency at 1dB Compression Power, $f = 6$ GHz		37		%
I_{DSS}	Saturated Drain-Source Current at $V_{DS} = 2$ V, $V_{GS} = 0$ V		300		mA
g_m	Transconductance at $V_{DS} = 2$ V, $V_{GS} = 0$ V		200		mS
V_P	Pinch-off Voltage at $V_{DS} = 2$ V, $I_D = 2.4$ mA		-1.7**		Volts
BV_{DGO}	Drain-Gate Breakdown Voltage at $I_{DGO} = 0.6$ mA	15	18		Volts
R_{th}	Thermal Resistance		50		°C/W

Note: * P_{SCL} : Output Power of Single Carrier Level.

** For the tight control of the pinch-off voltage range, we divide TC2481 into 3 model numbers to fit customer design requirement

(1)TC2481P1519 : $V_p = -1.5$ V to -1.9 V (2)TC2481P1620 : $V_p = -1.6$ V to -2.0 V (3)TC2481P1721 : $V_p = -1.7$ V to -2.1 V

If required, customer can specify the requirement in purchasing document. For special V_p requirement, please contact factory for details.

ABSOLUTE MAXIMUM RATINGS (T_A=25 °C)

Symbol	Parameter	Rating
V _{DS}	Drain-Source Voltage	12 V
V _{GS}	Gate-Source Voltage	-5 V
I _{DS}	Drain Current	I _{DSS}
P _{in}	RF Input Power, CW	26 dBm
P _T	Continuous Dissipation	1.9 W
T _{CH}	Channel Temperature	175 °C
T _{STG}	Storage Temperature	- 65 °C to +175 °C

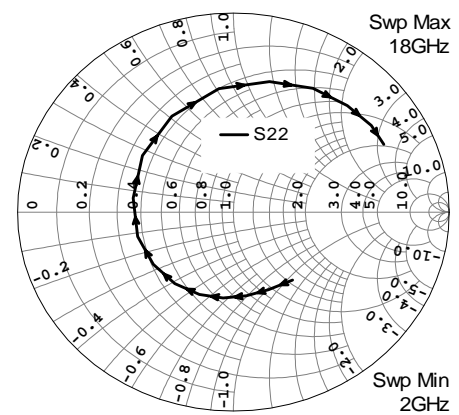
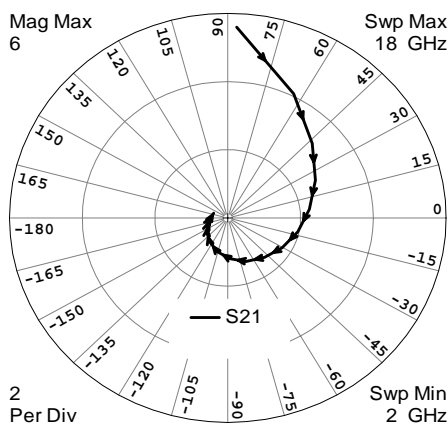
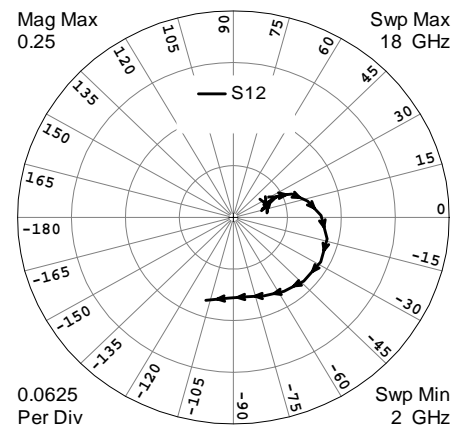
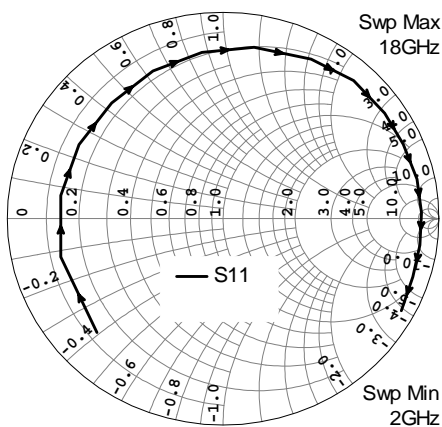
RECOMMENDED OPERATING CONDITION

Symbol	Parameter	Rating
V _{DS}	Drain to Source Voltage	8 V
I _D	Drain Current	120 mA

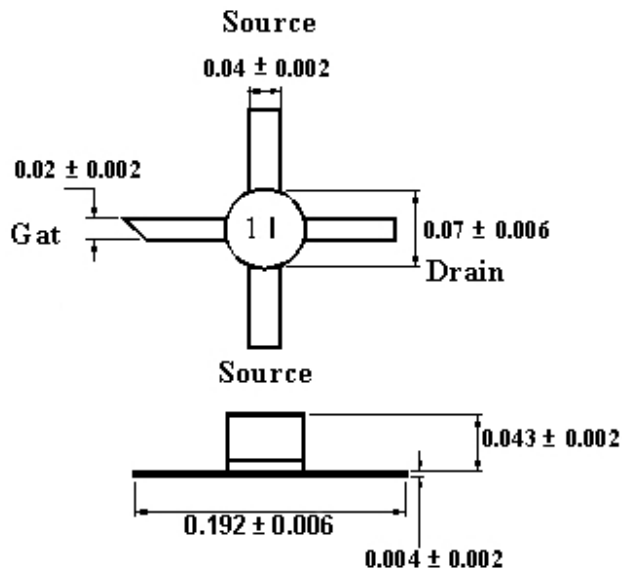
HANDLING PRECAUTIONS:

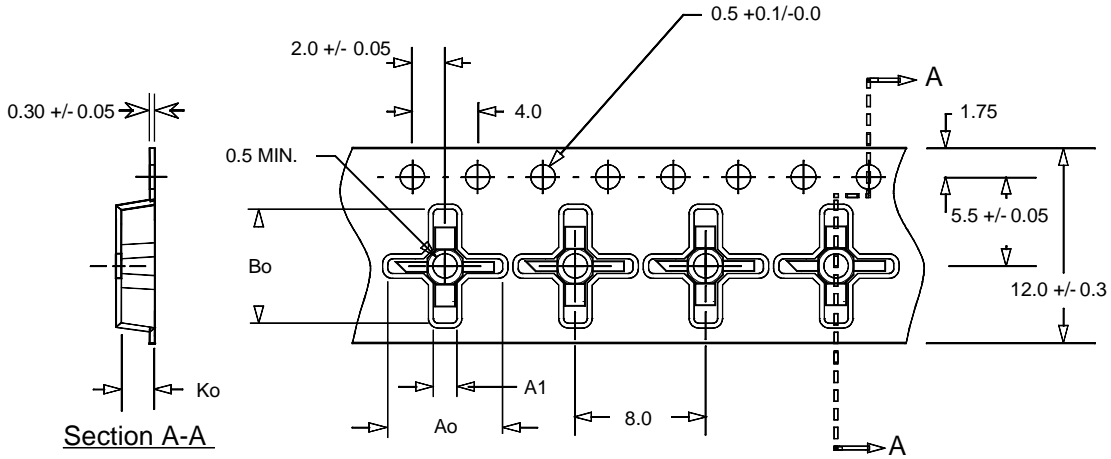
The user must operate in a clean, dry environment. Electrostatic Discharge (ESD) precautions should be observed at all stages of storage, handling, assembly, and testing. The static discharge must be less than 300V.

TYPICAL SCATTERING PARAMETERS (T_A=25 °C)

 V_{DS} = 8 V, I_{DS} = 120 mA


FREQUENCY (GHz)	S11		S21		S12		S22	
	MAG	ANG	MAG	ANG	MAG	ANG	MAG	ANG
2	0.8032	-136.63	5.5988	87.50	0.0409	26.99	0.4377	-51.36
3	0.7749	-166.09	4.0646	63.59	0.0413	19.35	0.4223	-67.29
4	0.7596	171.59	3.1927	43.25	0.0420	20.20	0.4255	-81.72
5	0.7572	151.76	2.6479	24.67	0.0443	22.85	0.4343	-96.23
6	0.7624	132.64	2.2554	6.40	0.0507	26.86	0.4433	-110.80
7	0.7862	114.43	1.9690	-11.83	0.0603	26.12	0.4510	-127.09
8	0.8118	96.88	1.7325	-30.21	0.0733	22.60	0.4549	-144.68
9	0.8421	80.20	1.5329	-48.83	0.0881	12.91	0.4604	-164.61
10	0.8733	62.17	1.3715	-68.33	0.1015	1.29	0.4701	171.32
11	0.9024	47.87	1.2003	-87.33	0.1115	-13.43	0.5072	146.04
12	0.9065	34.32	1.0285	-106.37	0.1148	-28.10	0.5596	120.64
13	0.9086	23.39	0.8658	-125.06	0.1122	-43.31	0.6243	96.18
14	0.9181	11.98	0.7218	-142.69	0.1067	-56.87	0.6769	75.72
15	0.9199	1.79	0.6003	-158.30	0.1014	-69.46	0.7228	59.28
16	0.9213	-8.00	0.5110	-172.76	0.0975	-81.21	0.7517	45.41
17	0.9237	-17.81	0.4432	173.68	0.0978	-93.09	0.7725	34.26
18	0.9381	-28.37	0.4147	160.89	0.1054	-107.70	0.7753	25.98

OUTLINE DIMENSIONS (Unit: inch)


TAPE & REEL PACKAGE ORIENTATION (Unit: mm)


$A_o = 7.0 \text{ mm}$
 $A_1 = 1.45 \text{ mm}$
 $B_o = 7.0 \text{ mm}$
 $B_1 = 0.9 \text{ mm}$
 $K_o = 2.0 \text{ mm}$

Standard Reel Size	7"
Standard Reel Quantity	1000