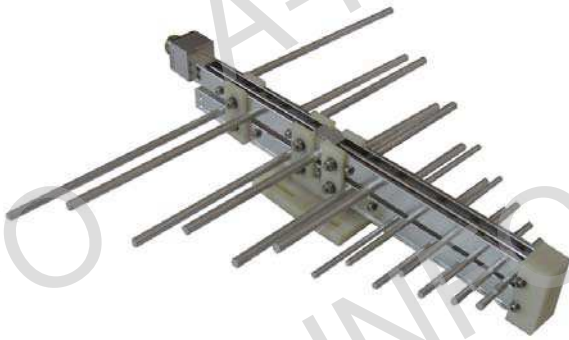


## Technical Specification



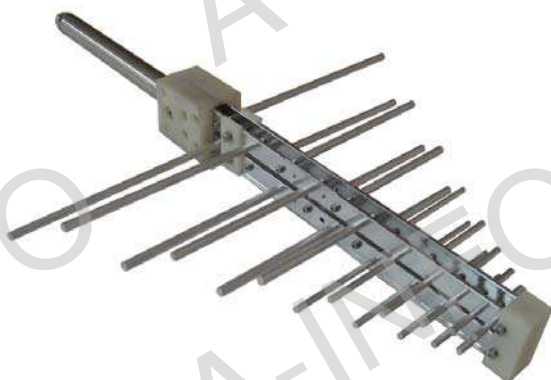
### P/N: DS-50400

Frequency Range(GHz)	0.5-4.0
Gain(dB)	7 Typ.
Polarization	Linear
VSWR	2.0 Typ.
	3.0 Max
3dB Beamwidth(deg)	140-30
Connector	N-Female
Size(mm)	355 x 337
Net Weight(Kg)	0.5 Around



### P/N: DS-50400C

Frequency Range(GHz)	0.5-4.0
Gain(dB)	7 Typ.
Polarization	Linear
VSWR	2.0 Typ.
	3.0 Max
3dB Beamwidth(deg)	140-30
Connector	N-Female
Size(mm)	355 x 329
Net Weight(Kg)	0.7 Around

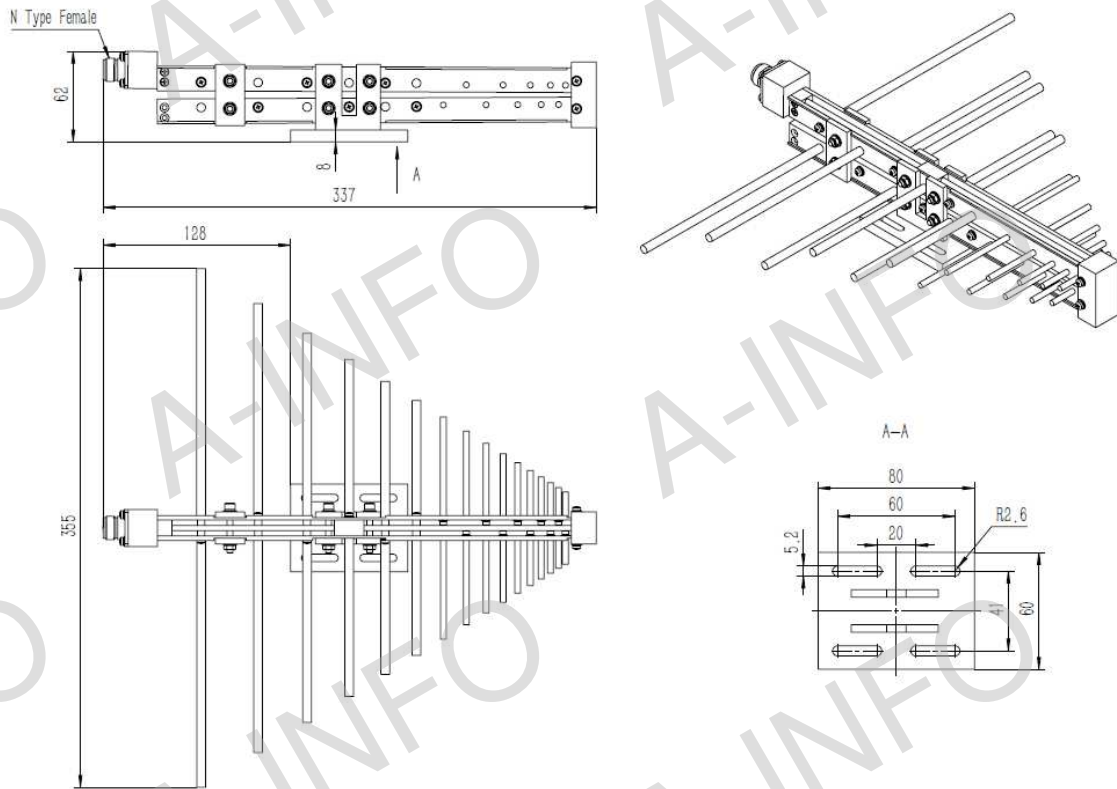


### P/N: DS-50400E

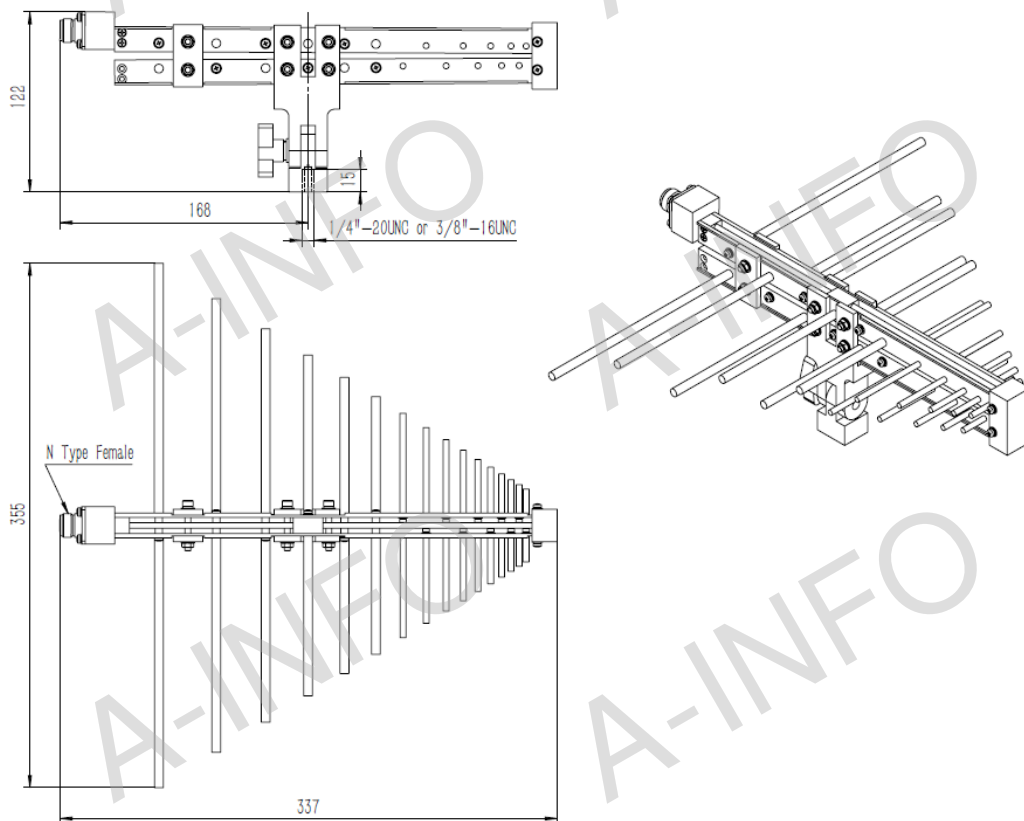
Frequency Range(GHz)	0.5-4.0
Gain(dB)	7 Typ.
Polarization	Linear
VSWR	2.0 Typ.
	3.0 Max
3dB Beamwidth(deg)	140-30
Connector	N-Female
Size(mm)	355 x 550
Net Weight(Kg)	0.7 Around

## Outline Drawing (Size: mm)

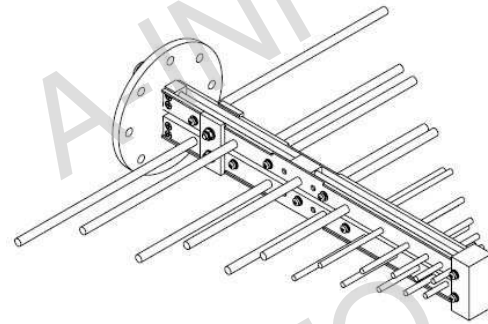
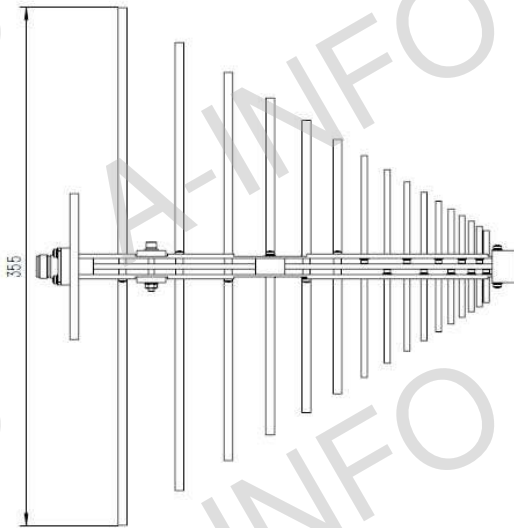
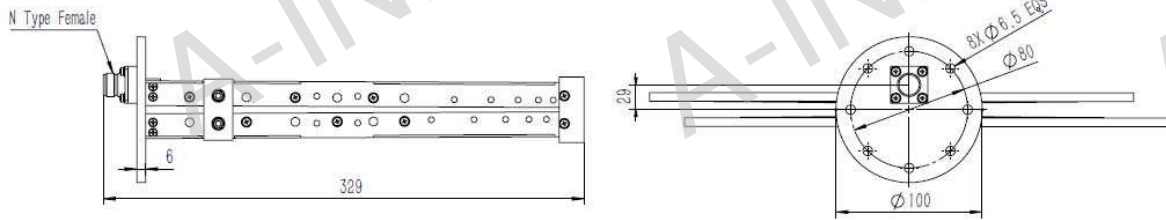
### DS-50400 with Mounting Bracket



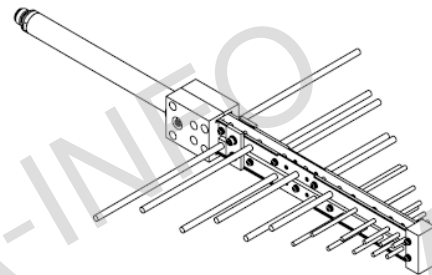
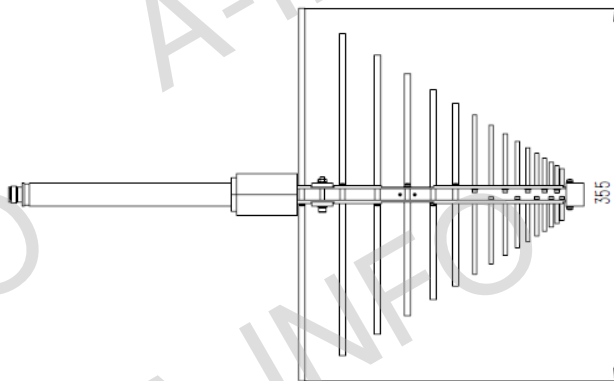
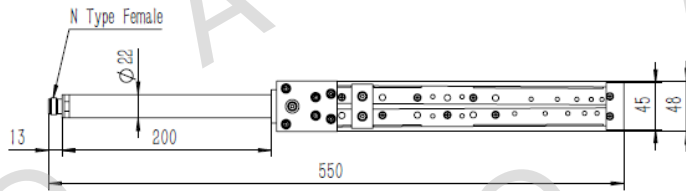
### DS-50400 with Mounting Bracket for Tripod Application



DS-50400C

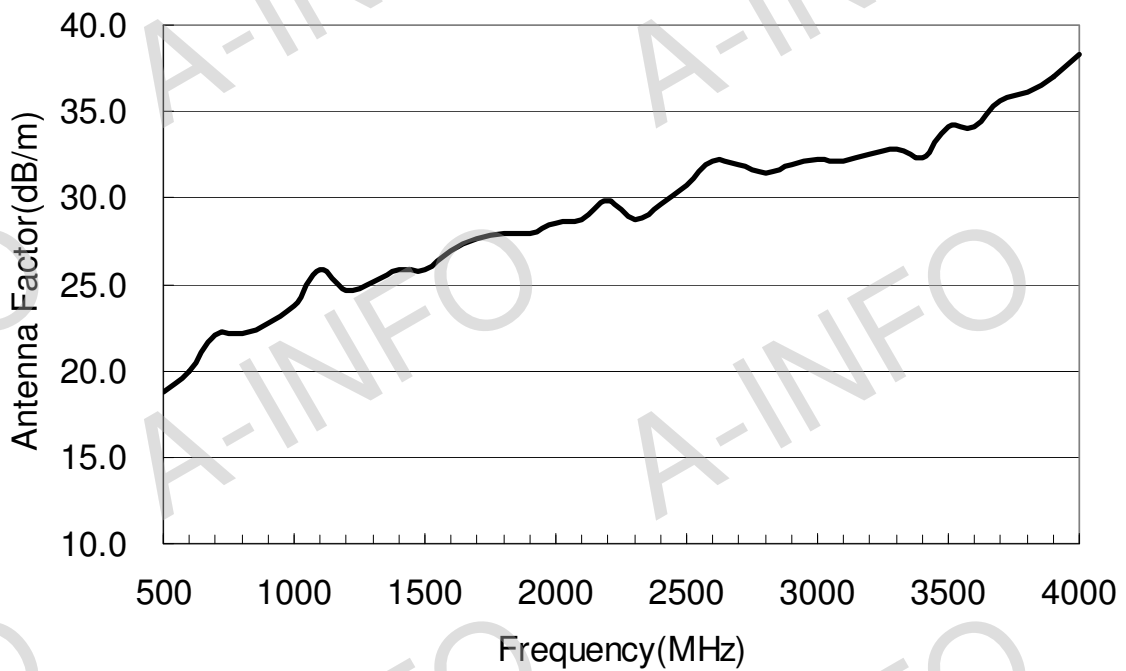
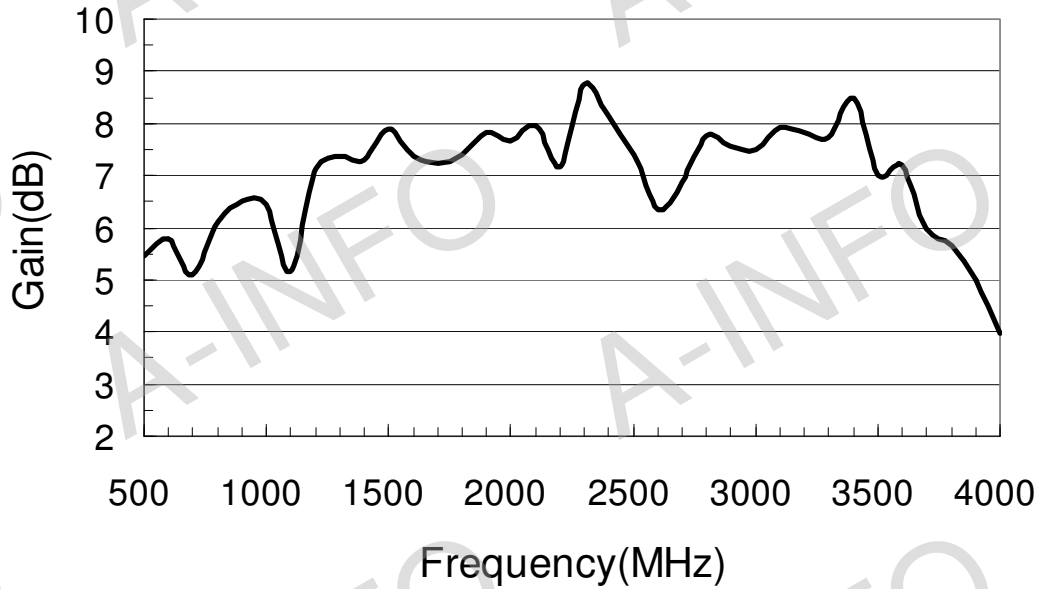


DS-50400E

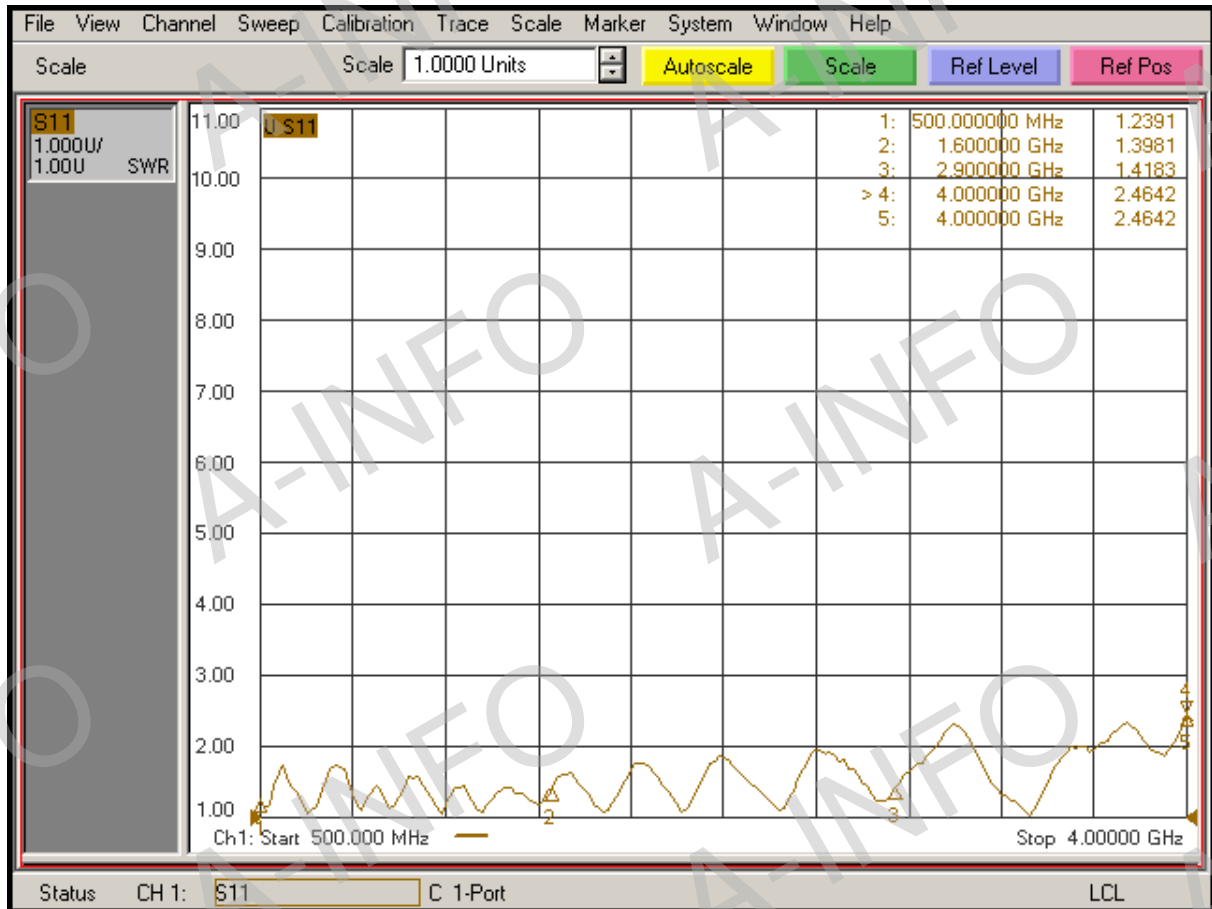


## Test Results

### 1. Gain & Antenna Factor



## 2. VSWR



## 3. Pattern

