

137WLPL_AP WR137 Waveguide Low Power Load 5.85-8.2GHz with Rectangular Waveguide Interface



WR137 Waveguide Low Power Load Operating From 5.85 to 8.2GHz with Rectangular Waveguide Interface

Product Information

SKU	137WLPL_AP
-----	------------

Description

Waveguide low power load 137WLPL_AP, operating from 5.85 to 8.2GHz and low VSWR 1.04:1 137WLPL_AP covers the WR137 sub waveguide band and comes with one flange FAP70(UAR70). It can handle 6W continuously and 6KW peak power. The WLPL series are for general version, low VSWR terminations for system application. The typical applications include system or test bench set-ups and small moderate power dummy loads.

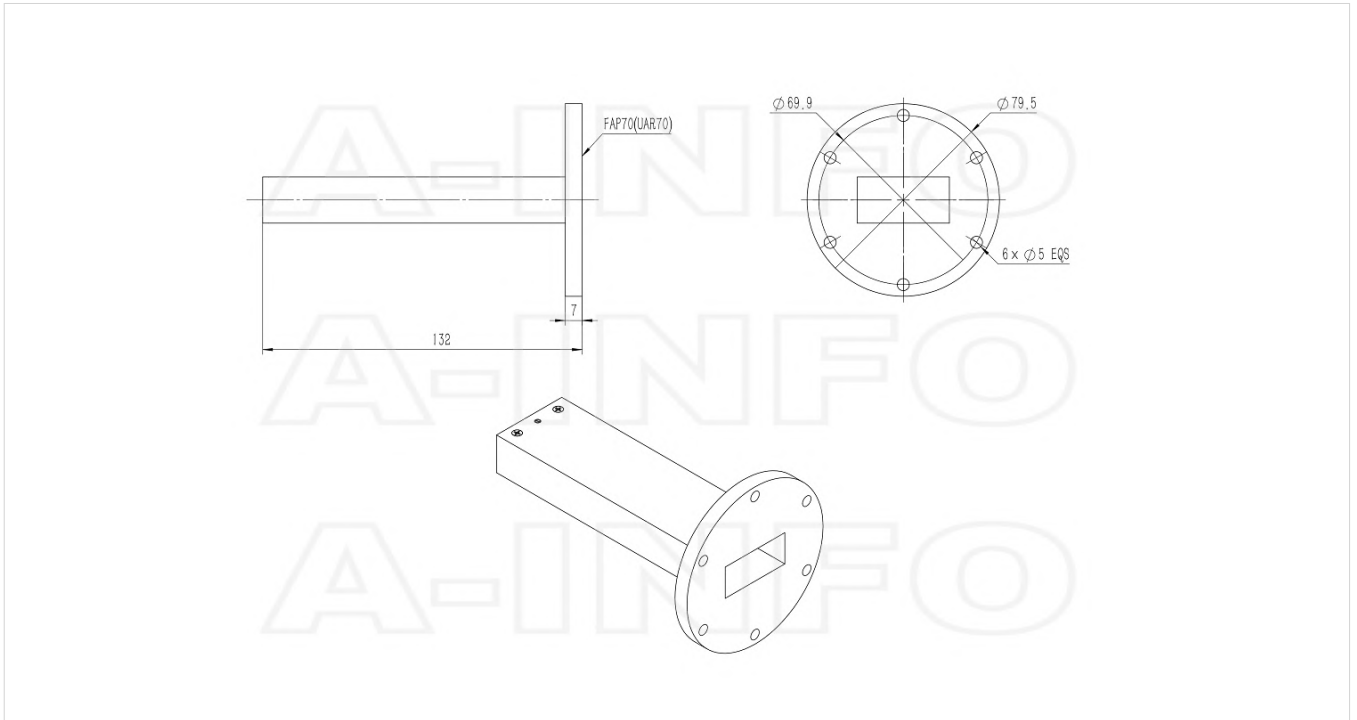
Technical Specification

Electrical Specification		Mechanical Specification	
WG Load Type	Low Power	Body Material	Al
Waveguide Band	C X	Size, L (mm)	132
Waveguide Type	Rectangular	Size, W (mm)	79.5
Waveguide Size EIA WR	WR137	Size, H (mm)	79.5
Frequency, Min (GHz)	5.85	Weight, (kg)	0.18
Frequency, Max (GHz)	8.2	Pressure Sealed	No
VSWR, Typ	1.03:1	Environmental Specification	
VSWR, Max	1.04:1	Operating Temp. Low (°C)	-55
Power Handling, CW, (W)	6	Operating Temp. High (°C)	85
Power Handling, Peak, (KW)	6	Storage Temp. Low (°C)	-60
		Storage Temp. High (°C)	90
Interface			
Flange Style	Round		
Flange Type	Cover		
Flange Designation	FAP70(UAR70)		

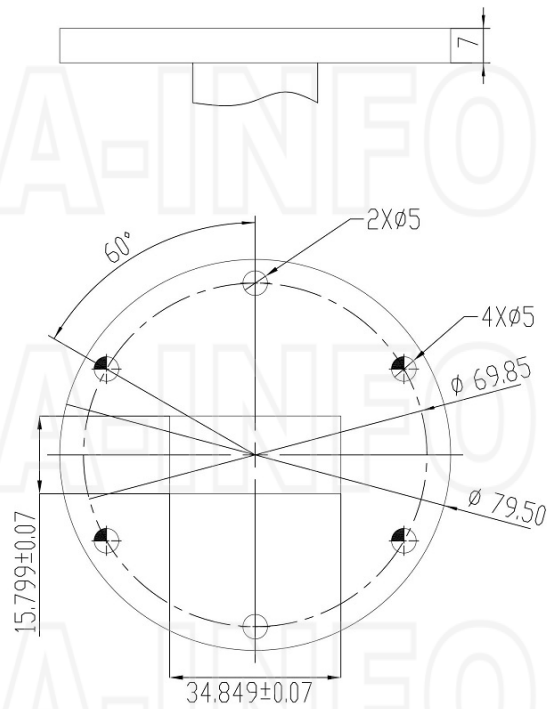
Additional Information

Application	General Purpose Indoor & Outdoor, Fixed
-------------	---

Outline Drawing



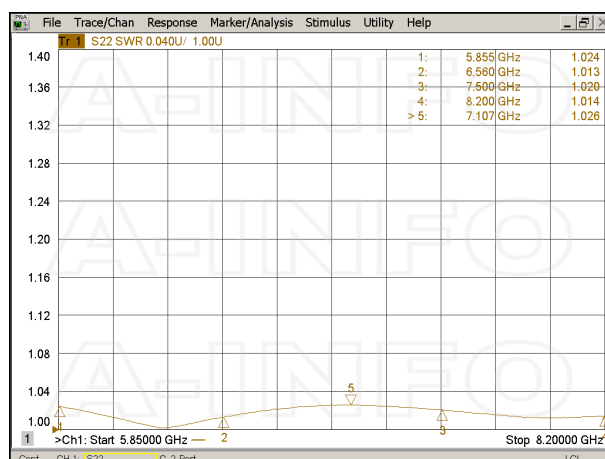
Flange Drawing



FAP70

Typical Test Results

VSWR



About this Datasheet

<ul style="list-style-type: none">● Product Information <p>Product Link: https://www.ainfoinc.com/137wpl-ap-wr137-waveguide-low-power-load-5-85-8-2-ghz-fap70-uar70 Data subject to change without notice. © A-INFO INC. 2024. All Rights Reserved</p>	<ul style="list-style-type: none">● Contact Us <p>Address: 60 Tesla, Irvine, CA 92618, USA</p> <p>Website: www.ainfoinc.com</p> <p>Email: sales@ainfoinc.com</p>	<ul style="list-style-type: none">● Phone & Fax <p>Phone: +1-949-639-9688 +1-949-639-9608</p> <p>Fax: +1-949-639-9670</p>
--	---	--