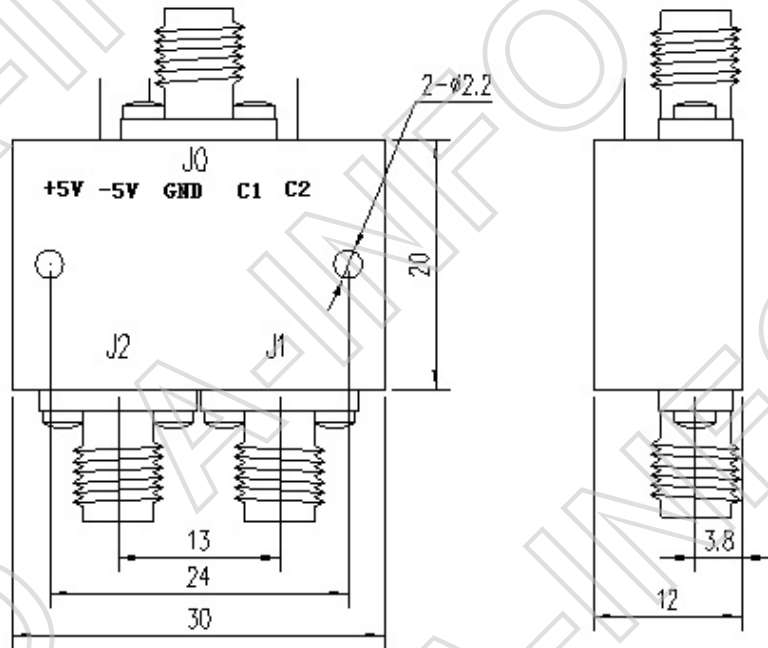


Outline Drawing (Size: mm)



Technical Specification

Frequency Range(GHz)	24
Insertion Loss(dB)	4.3dB max
Isolation(dB)	60dB min
VSWR	1.7 max
Switching Speed(ns)	100 max
Input Power(W)	0.2 CW
Control	TTL, "0"ON, "1"OFF
Power Supply(V/mA)	+5/50 max; -5/50 max
TTL Voltage(V)	"0": 0-0.7 "1": 2.5-5
GND	See the drawing
Connector	SMA-Female
Operating Temperature(°C)	-40 ~ +70

Test Results

Frequency (GHz)	Channel	Insertion Loss(dB)	VSWR		Isolation(dB)
			S11	S22	
24	J0→J1	4.20	1.24	1.69	62
	J0→J2	4.23	1.30	1.66	62