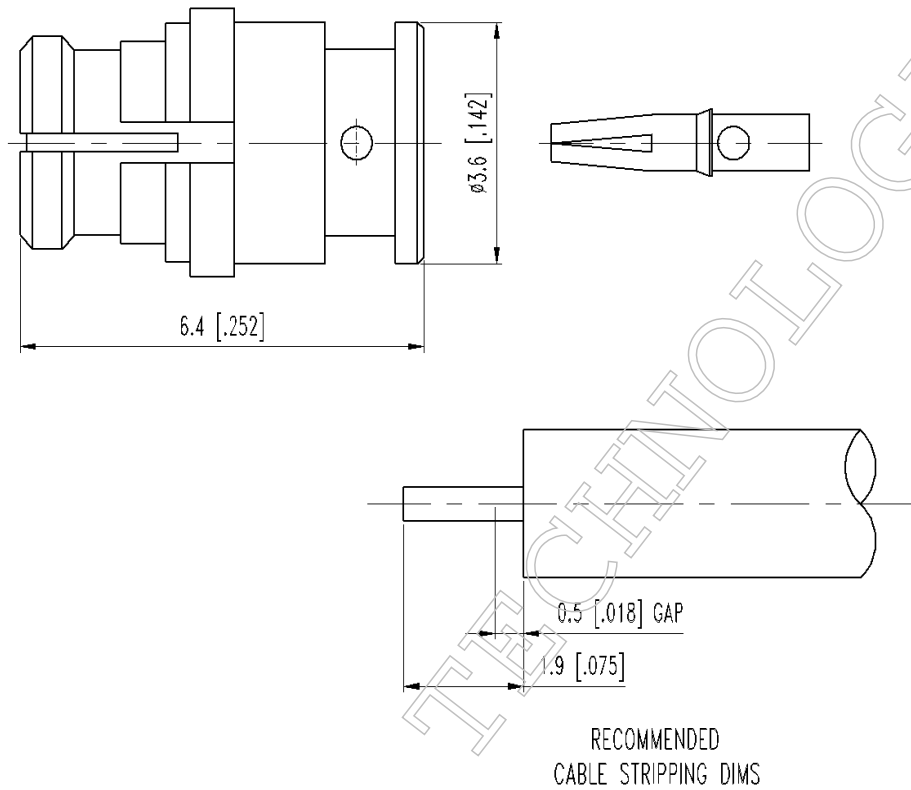




▪ **Outline Dimension Drawing**

Dimensions: mm[inch]



▪ **Material Specification**

Description	Material	Plating
Body	Brass	Gold
Contact	P. Bronze	Gold
Dielectric	PTFE	
EMI-spring	Bronez	Gold

In the effort to improve our products, we reserve the right to make changes judged to be necessary

▪ Electrical Specification

Description			Description		
Impedance	50	Ω	Insulation Resistance	5000	MΩ Min.
Frequency	18	GHz	Inner Contact Resistance	6	mΩ Max.
VSWR	12GHz/1.25	Max.	Outer Contact Resistance	2	mΩ Max.
	18GHz/1.45	Max.			
Insertion Loss	0.42	dB Max.			
Voltage Rating	335	Vrms Max.			
Dielectric Withstanding Voltag	500	Vrms Max.			

▪ Mechanical Specification

Description		
Engagement Force		
Limited Detent	45	N Max.
Disengagement Force		
Limited Detent	9	N Min.
Connector Durability		
Limited Detent	100	matings min.
Center Contact		
Axial Force-Mating End	N/A	lbs.
Axial Force-Opposite End	N/A	lbs.
Weight	N/A	g

▪ Environmental Specification

Description		
Temperature Min.	-65	°C
Temperature Max.	155	°C
Hermetic Seal	N/A	

In the effort to improve our products, we reserve the right to make changes judged to be necessary