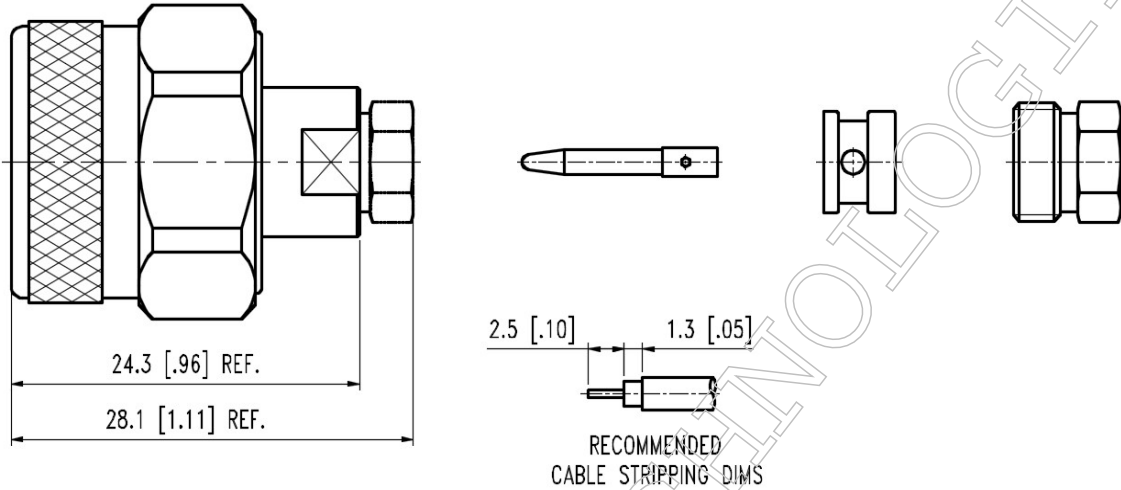


▪ **Outline Dimension Drawing**

Dimensions: mm[inch]



▪ **Material Specification**

Description	Material	Plating
Body	Brass	Nickel
Contact	Brass	Gold
Dielectric	PTFE	
Gasket	S.I.R	Red
Clamp	Brass	Nickel
Coupling Nut	Brass	Nickel
R/ring	P.Bronze	

In the effort to improve our products, we reserve the right to make changes judged to be necessary



▪ **Electrical Specification**

Description		Description	
Impedance	50 Ω	Insulation Resistance	5000 MΩ Min.
Frequency	11 GHz	Inner Contact Resistance	3.0 mΩ Max.
VSWR	1.3 Max.	Outer Contact Resistance	2.0 mΩ Max.
Insertion Loss	0.20 dB Max.		
Voltage Rating	335 Vrms Max.		
Dielectric Withstanding Voltage	750 Vrms Max.		

▪ **Mechanical Specification**

Description		Description	
Center Contact		Recommended Torque	12~15 in. lbs
Axial Force-Mating End	N/A lbs.	Coupling Nut Retention	100 lbs Min.
Axial Force-Opposite End	N/A lbs.		
Connector Durability	500 cycles		
Weight	N/A g		

▪ **Environmental Specification**

Description		Description	
Temperature Min.	-65 °C		
Temperature Max.	165 °C		
Hermetic Seal	N/A		

In the effort to improve our products, we reserve the right to make changes judged to be necessary