

90WPL_DP WR90 Waveguide Precision Load 8.2-12.4GHz with Rectangular Waveguide Interface

WR90 Waveguide Precision Load Operating From 8.2 to 12.4GHz with Rectangular Waveguide Interface



Product Information

SKU	90WPL_DP
-----	----------

Description

Waveguide precision load 90WPL_DP, operating from 8.2 to 12.4GHz and low VSWR 1.015:1. 90WPL_DP covers the 90WPL_DP sub waveguide band and comes with one flange FDP100(UDR100). It can handle 4 continuously and 4 peak power. A-INFO Precision Flange(APF) is available for this series. The WPL series low power waveguide fixed terminations are precision, low VSWR terminations suited to a wide variety of precision laboratory applications. The typical applications include full band one-Interface calibration and full two-Interface, isolation calibration. TRM (Thru-Reflect-Match) and SSLT (Short-Short-Load- Thru) calibration methods are supInterfaceed.

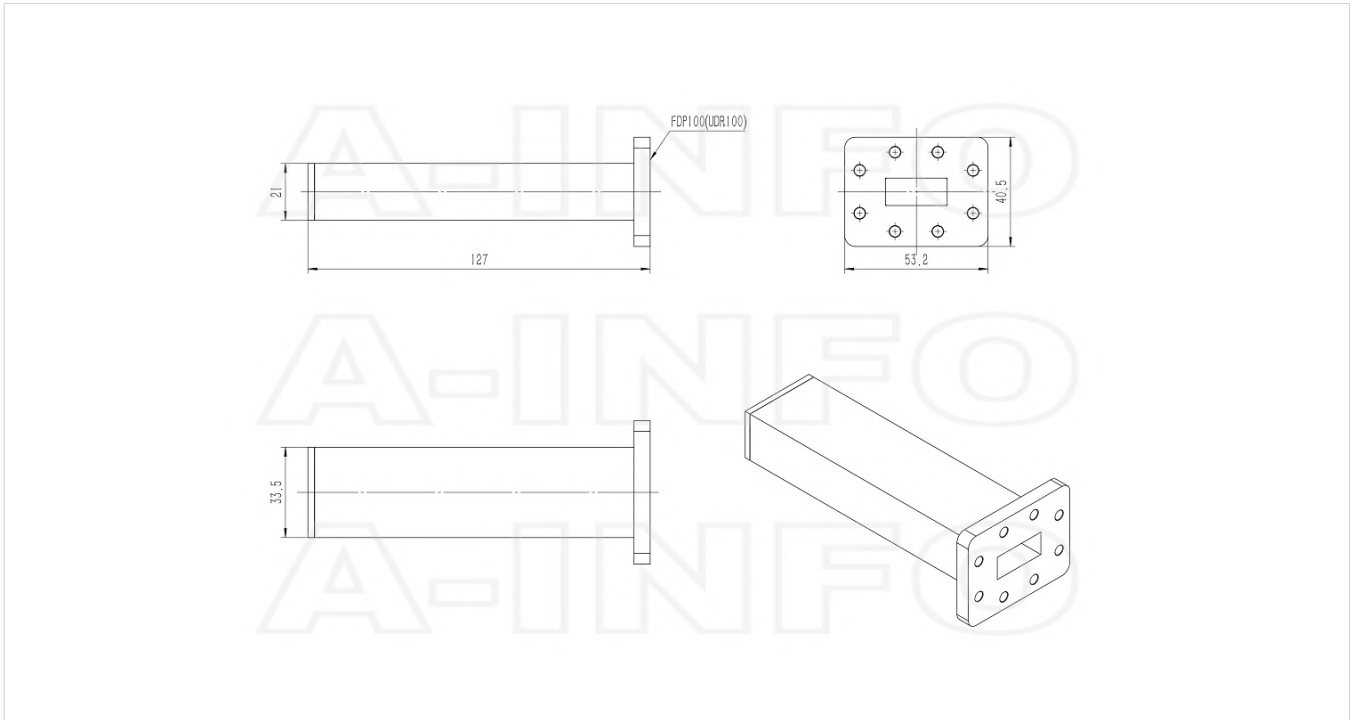
Technical Specification

Electrical Specification		Mechanical Specification	
WG Load Type	Precision	Body Material	Al
Waveguide Band	X Ku	Size, L (mm)	127
Waveguide Type	Rectangular	Size, W (mm)	53.2
Waveguide Size EIA WR	WR90	Size, H (mm)	40.5
Frequency, Min (GHz)	8.2	Weight, (kg)	0.21
Frequency, Max (GHz)	12.4	Pressure Sealed	No
VSWR, Typ	1.012	Environmental Specification	
VSWR, Max	1.015:1	Operating Temp. Low (°C)	-55
Power Handling, CW, (W)	4	Operating Temp. High (°C)	85
Power Handling, Peak, (KW)	4	Storage Temp. Low (°C)	-60
		Storage Temp. High (°C)	90
Interface			
Flange Style	Rectangular		
Flange Type	Cover		
Flange Designation	FDP100(UDR100)		

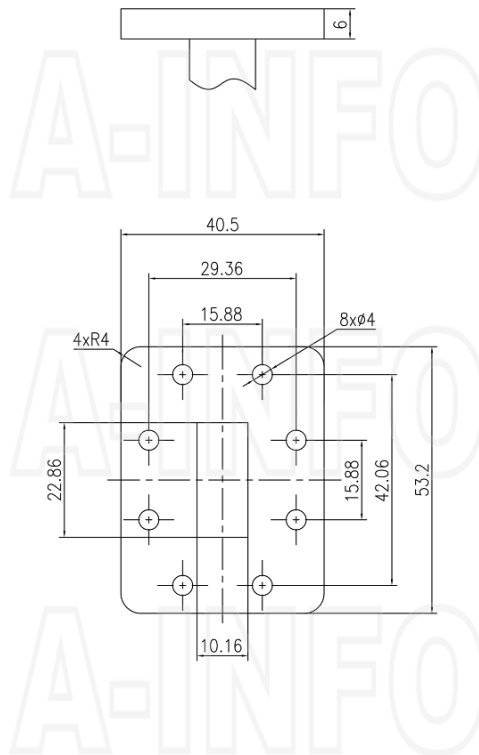
Additional Information

Application	General Purpose Indoor & Outdoor, Fixed
-------------	---

Outline Drawing



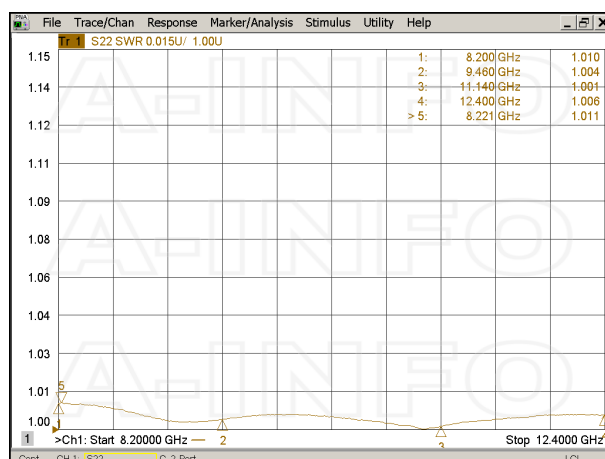
Flange Drawing



FDP100

Typical Test Results

VSWR



About this Datasheet

<ul style="list-style-type: none">● Product Information Product Link: https://www.ainfoinc.com/90wpl-dp-wr90-waveguide-precision-load-8-2-12-4-ghz-fdp100-udr100 Data subject to change without notice. © A-INFO INC. 2024. All Rights Reserved	<ul style="list-style-type: none">● Contact Us Address: 60 Tesla, Irvine, CA 92618, USA Website: www.ainfoinc.com Email: sales@ainfoinc.com	<ul style="list-style-type: none">● Phone & Fax Phone: +1-949-639-9688 +1-949-639-9608 Fax: +1-949-639-9670
---	--	---