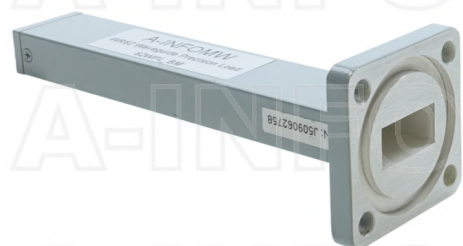


62WPL\_BM WR62 Waveguide Precision Load 12.4-18GHz with Rectangular Waveguide Interface



WR62 Waveguide Precision Load Operating From 12.4 to 18GHz with Rectangular Waveguide Interface

### Product Information

SKU	62WPL_BM
-----	----------

### Description

Waveguide precision load 62WPL\_BM, operating from 12.4 to 18GHz and low VSWR 1.02:1. 62WPL\_BM covers the 62WPL\_BM sub waveguide band and comes with one flange FBM140(PBR140). It can handle 1.5W continuously and 1.5KW peak power. A-INFO Precision Flange(APF) is available for this series. The WPL series low power waveguide fixed terminations are precision, low VSWR terminations suited to a wide variety of precision laboratory applications. The typical applications include full band one-Interface calibration and full two-Interface, isolation calibration. TRM (Thru-Reflect-Match) and SSLT (Short-Short-Load- Thru) calibration methods are supInterfaceed.

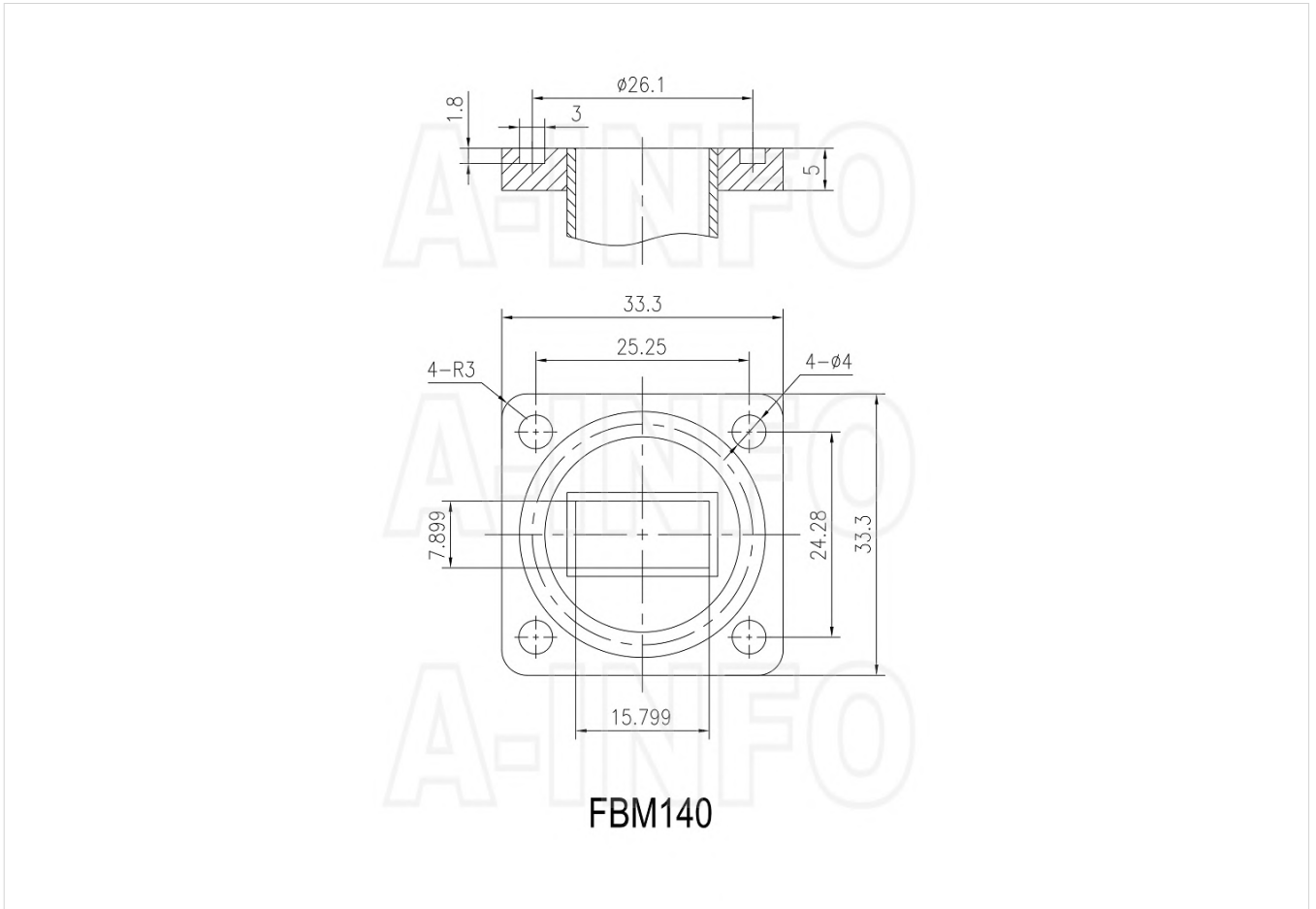
### Technical Specification

Electrical Specification		Mechanical Specification	
WG Load Type	Precision	Body Material	Al
Waveguide Band	Ku	Finish	Chemical Conversion Coating, Gray Paint
Waveguide Type	Rectangular	Size, L (mm)	102
Waveguide Size EIA WR	WR62	Size, W (mm)	33.3
Frequency, Min (GHz)	12.4	Size, H (mm)	33.3
Frequency, Max (GHz)	18	Weight, (kg)	0.09
VSWR, Typ	1.015:1	Pressure Sealed	No
VSWR, Max	1.02:1	Environmental Specification	
Power Handling, CW, (W)	1.5	Operating Temp. Low (°C)	-55
Power Handling, Peak, (KW)	1.5	Operating Temp. High (°C)	85
Interface		Storage Temp. Low (°C)	-60
Flange Style	Square	Storage Temp. High (°C)	90
Flange Type	Grooved		
Flange Designation	FBM140(PBR140)		

## Additional Information

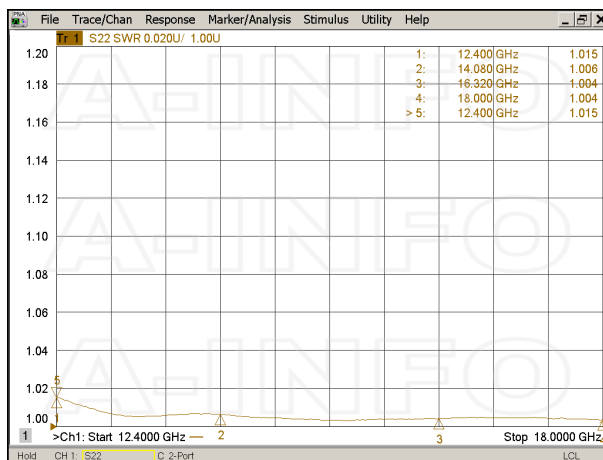
Application	General Purpose Indoor & Outdoor, Fixed
-------------	---

## Flange Drawing



## Typical Test Results

### VSWR



## About this Datasheet

- **Product Information**

Product Link:  
<https://www.ainfoinc.com/62wpl-bm-wr62-waveguide-precision-load-12-4-18-ghz-fbm140-pbr140>  
 Data subject to change without notice.  
 © A-INFO INC. 2024. All Rights Reserved

- **Contact Us**

Address:  
 60 Tesla, Irvine, CA 92618,  
 USA

Website:  
[www.ainfoinc.com](http://www.ainfoinc.com)

Email:  
[sales@ainfoinc.com](mailto:sales@ainfoinc.com)

- **Phone & Fax**

Phone:  
 +1-949-639-9688  
 +1-949-639-9608

Fax:  
 +1-949-639-9670