

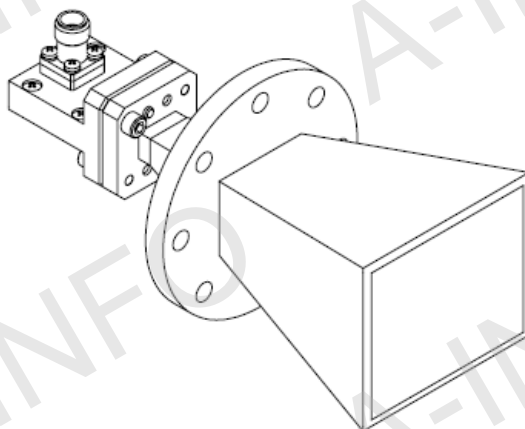
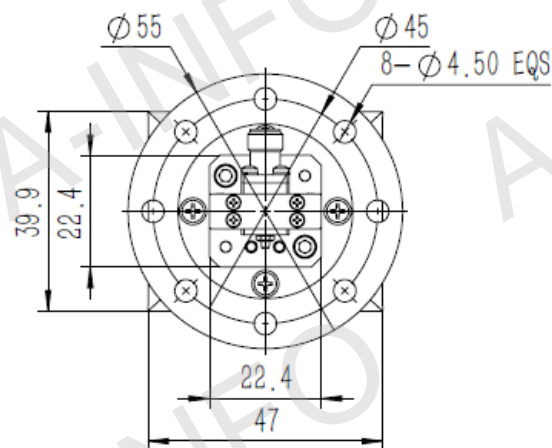
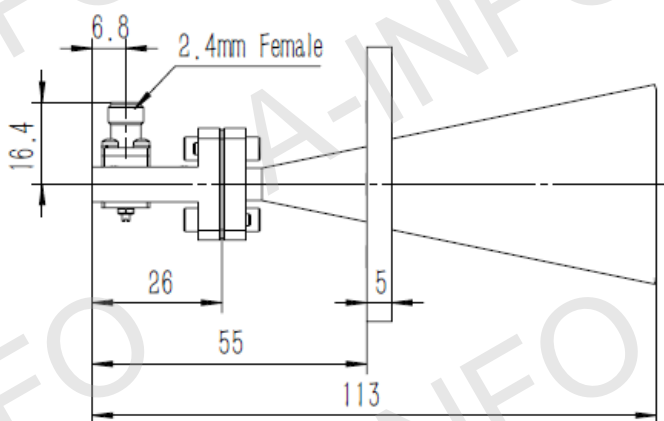
Technical Specification



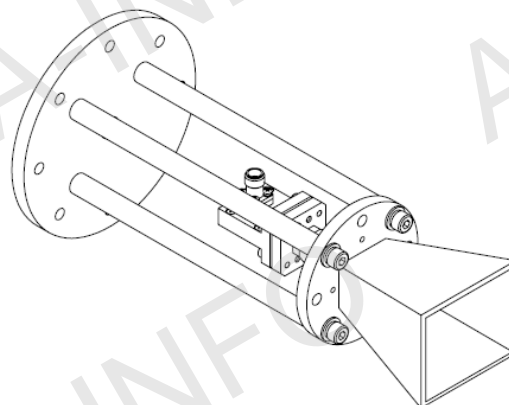
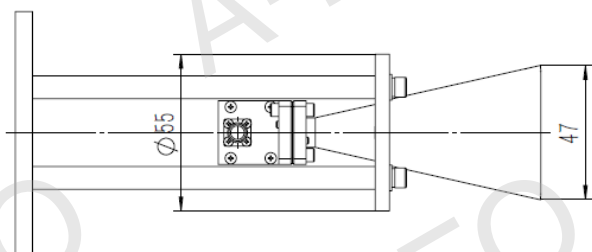
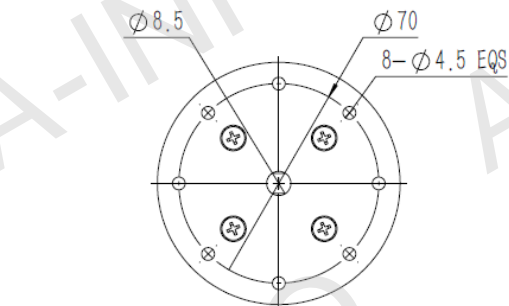
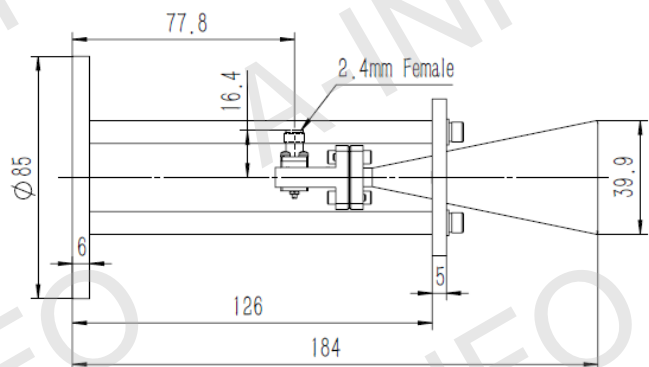
Frequency Range(GHz)	18.0 – 50.0
Gain(dBi)	20 Typ.
Polarization	Linear
3dB Beamwidth(deg)	E Plane: 23 – 8
	H Plane: 25 – 10
Cross Pol. Isolation(dB)	35 Typ.
VSWR	1.5:1 Typ.
	2.0:1 Max.
Connector	2.4mm-Female
Power Handling(W)	10 Max. CW
Material	Cu
Size(mm)	55 x 55 x 113
Net Weight(Kg)	0.25 Around

Outline Drawing (Size: mm)

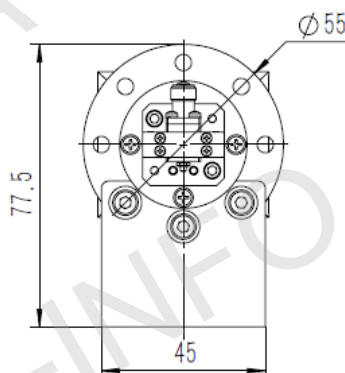
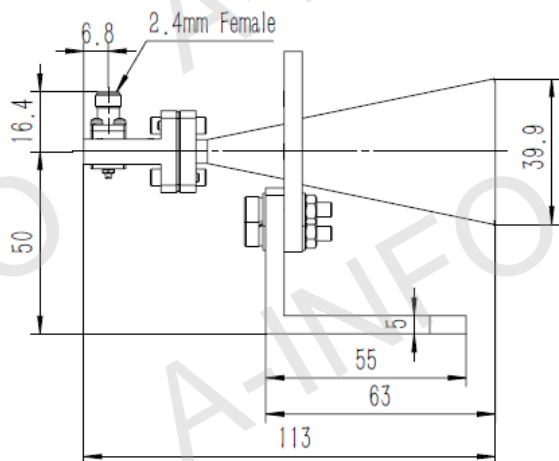
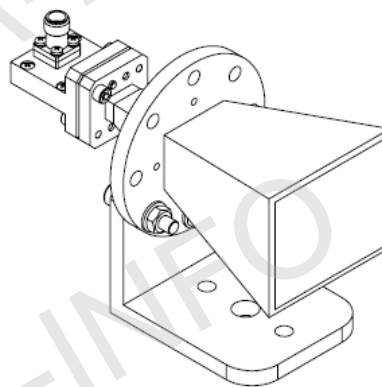
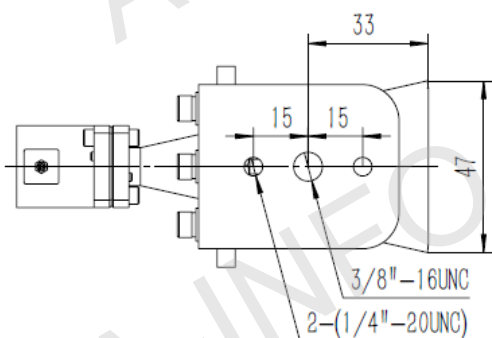
2.4mm-Female Output



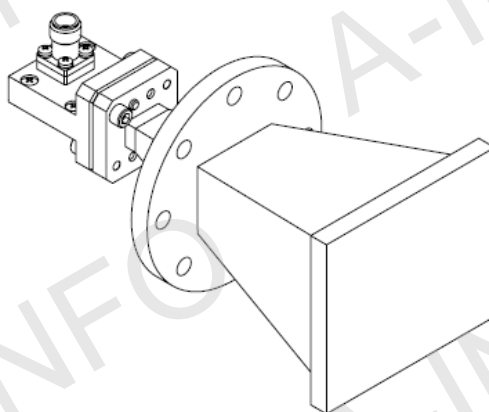
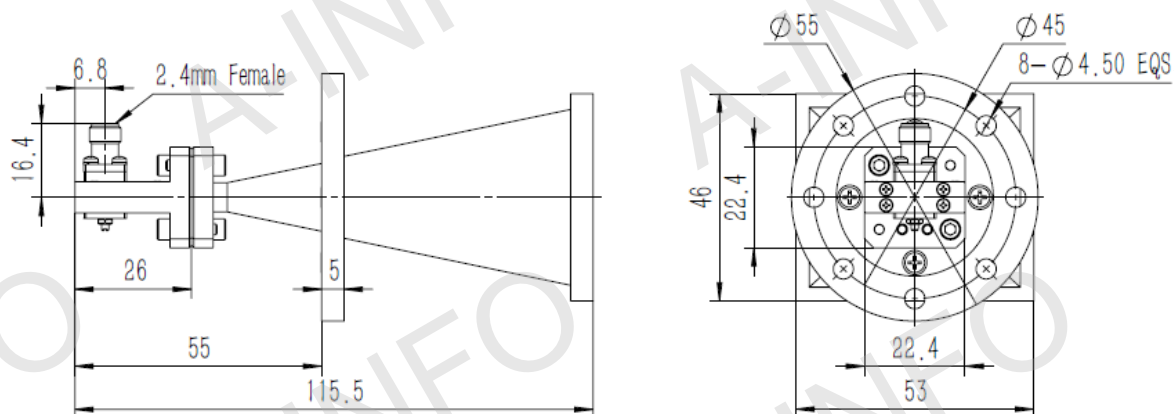
2.4mm-Female Output with Round Mounting Bracket



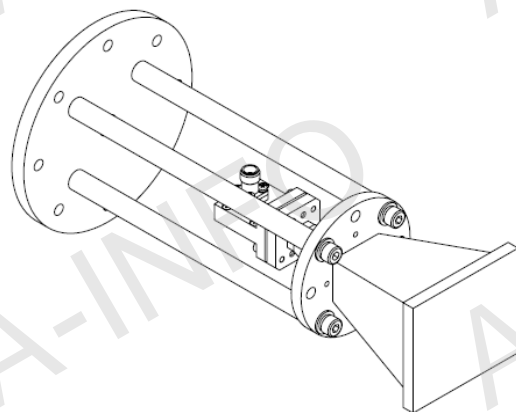
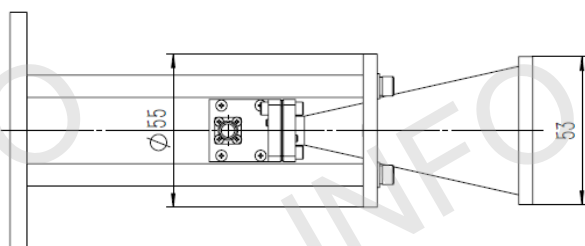
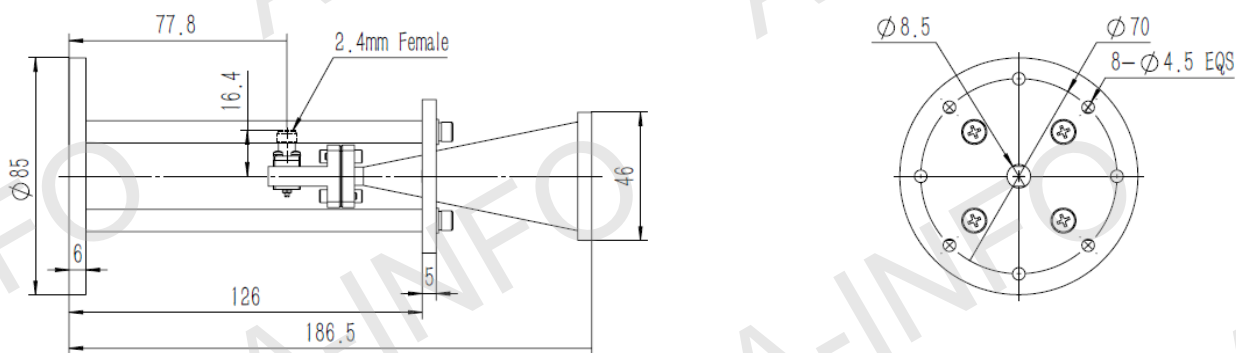
2.4mm-Female Output with L type Mounting Bracket



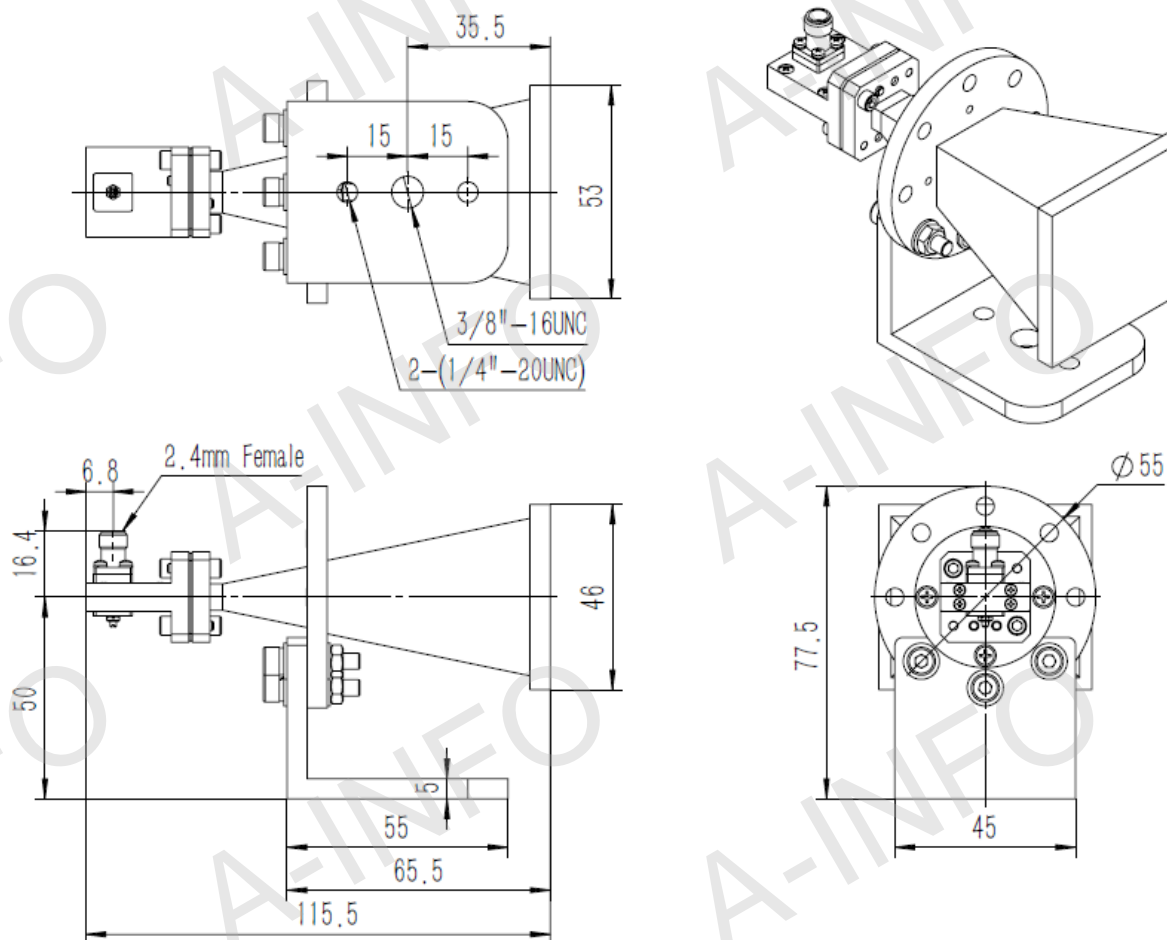
2.4mm-Female Output with Radome



2.4mm-Female Output with Round Mounting Bracket and Radome

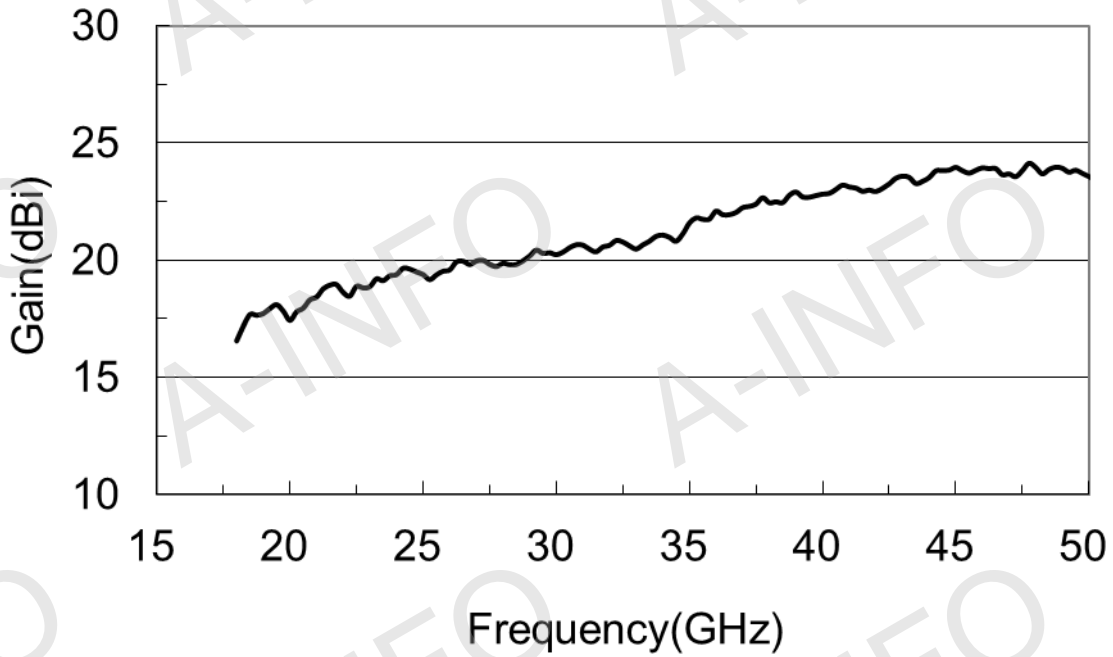


2.4mm-Female Output with L type Mounting Bracket and Radome

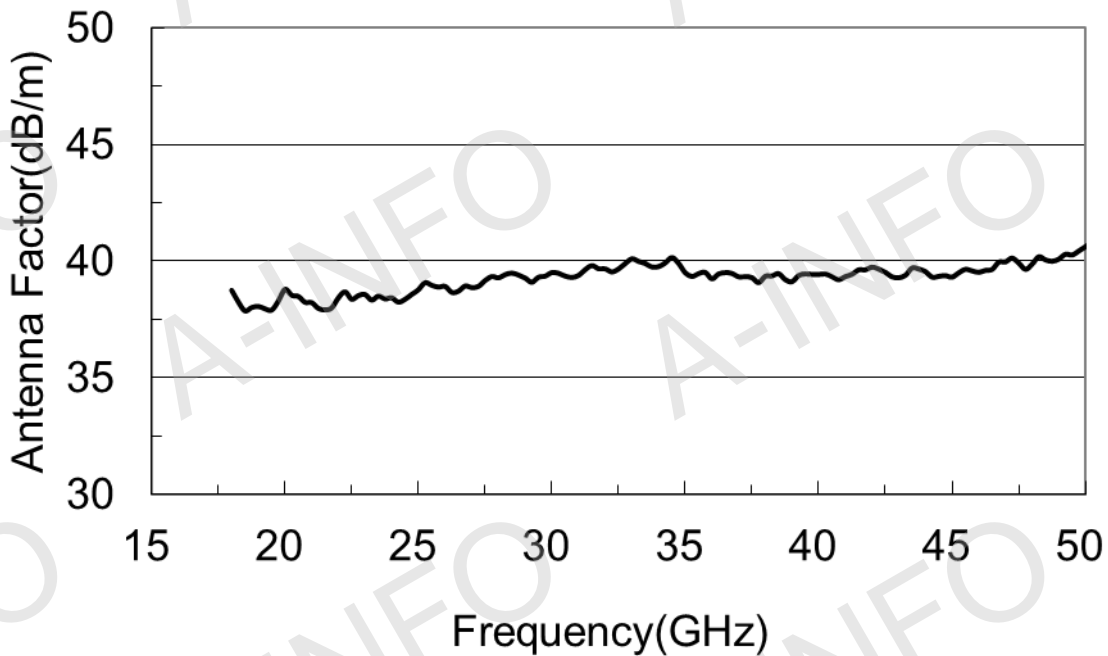


Test Results

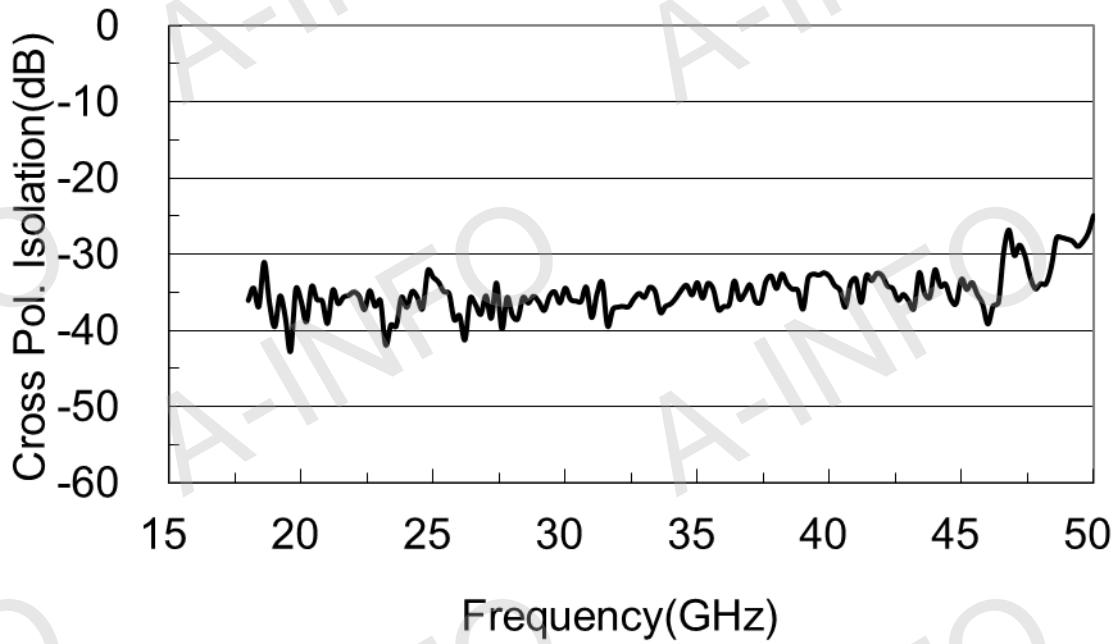
1. Gain



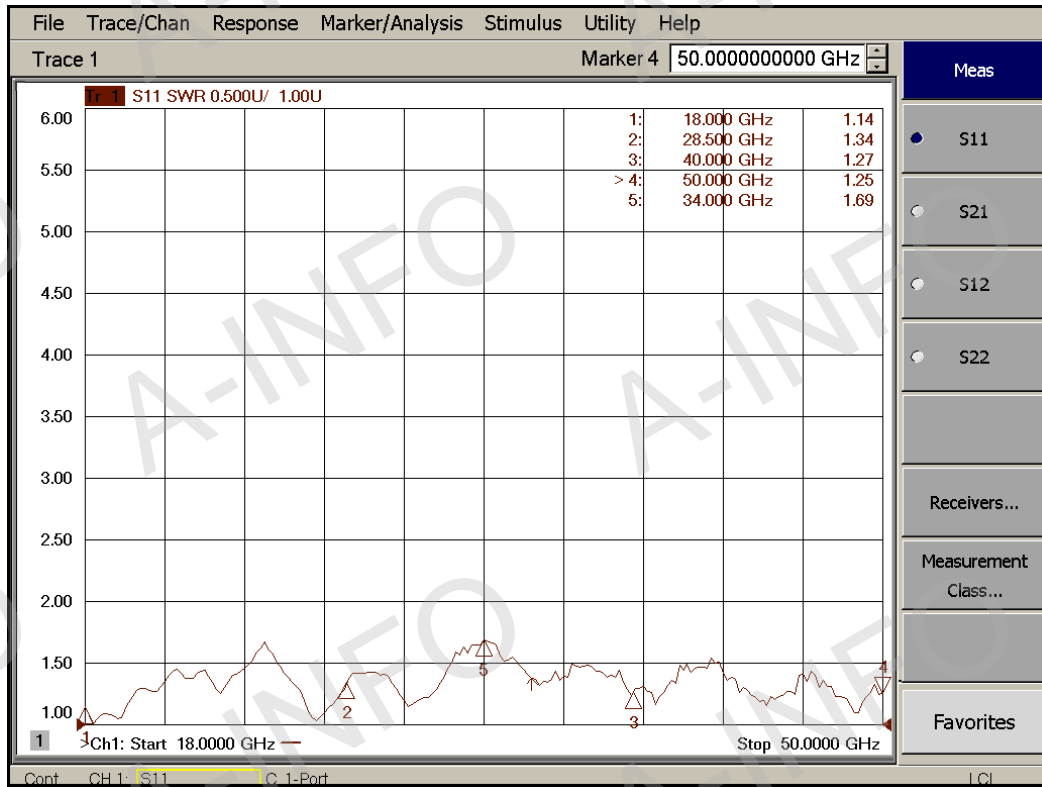
2. Antenna Factor



3. Cross Polarization Isolation



4. VSWR



5. Pattern

