

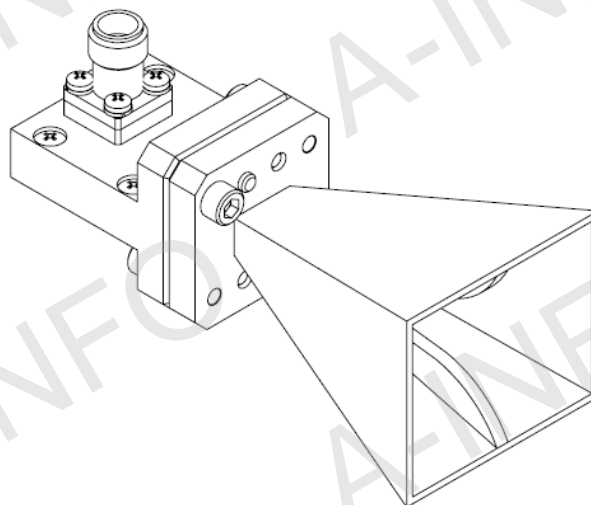
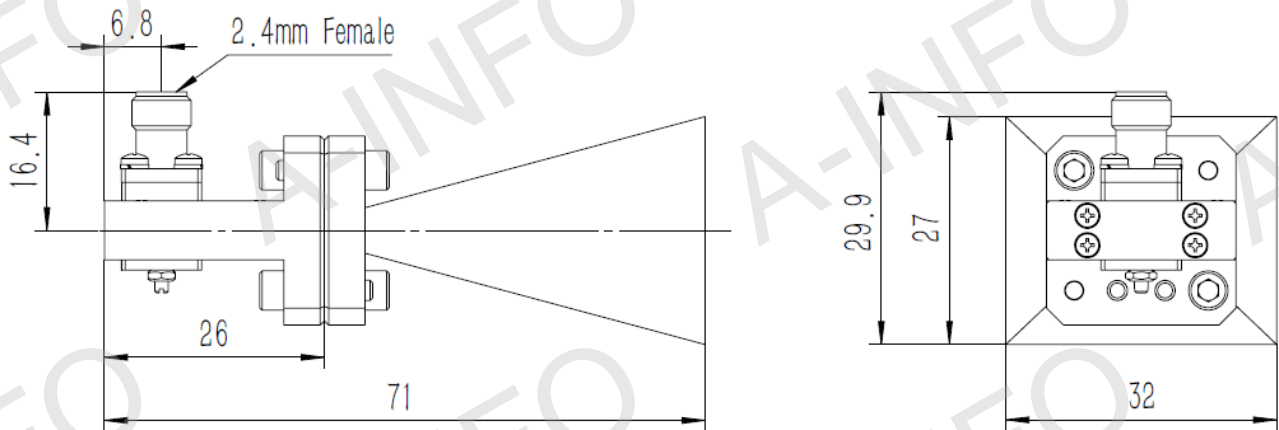
Technical Specification



Frequency Range(GHz)	18.0 – 50.0	
Gain(dBi)	15 Typ.	
Polarization	Linear	
3dB Beamwidth(deg)	E Plane	41 - 19
	H Plane	42 - 16
Cross Pol. Isolation(dB)	35 Typ.	
VSWR	2.0:1 Max.	
Connector	2.4mm-Female	
Power Handling(W)	20 Max. CW	
Material	Cu	
Size(mm)	32 x 29.9 x 71	
Net Weight(Kg)	0.08 Around	

Outline Drawing (Size: mm)

2.4mm-Female Output



AINFO Inc.

Page 1 of 17

China(Beijing):
China(Chengdu):
USA :

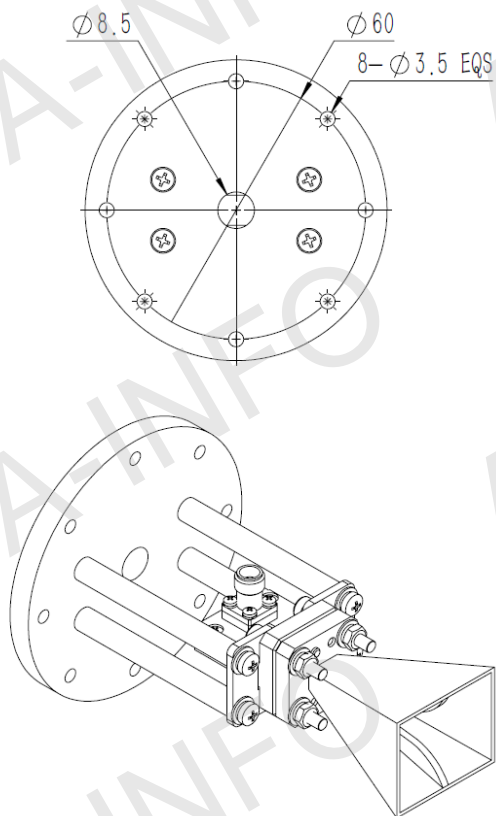
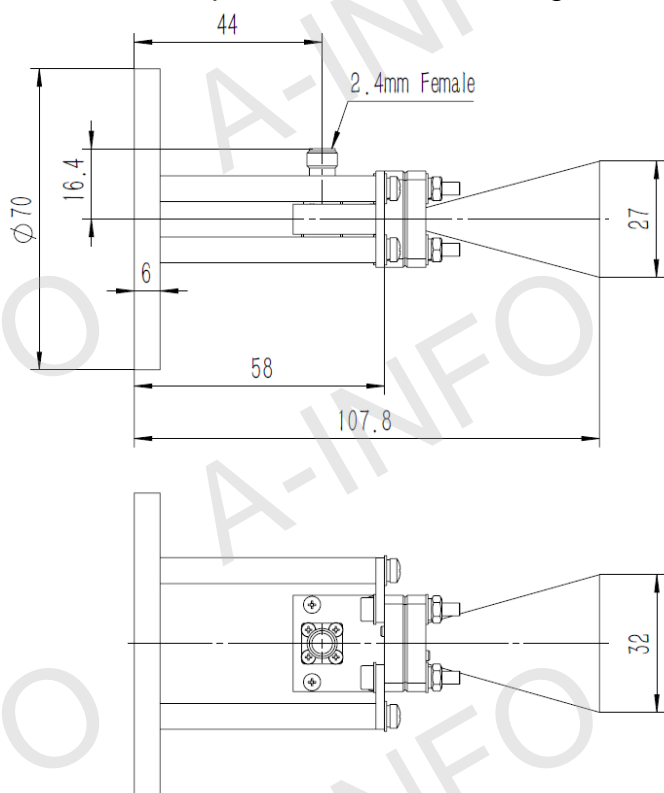
Tel: (+86) 10-6266-7326,
Tel: (+86) 28-8519-2786,
Tel: (+1) 949-639-9688,

(+86) 10-6266-7327
(+86) 28-8519-3044
(+1) 949-639-9608

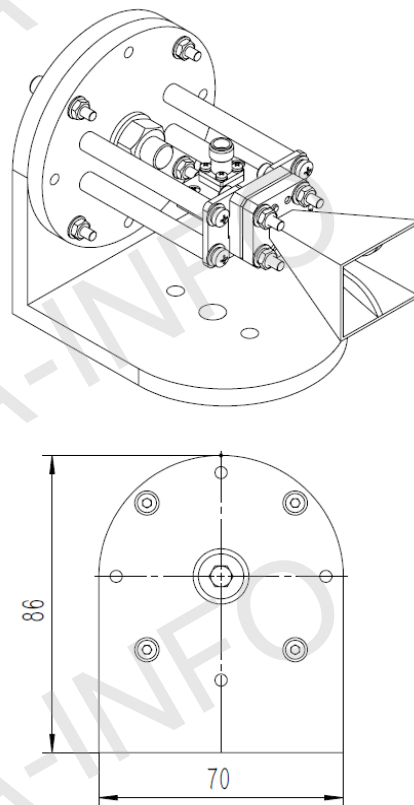
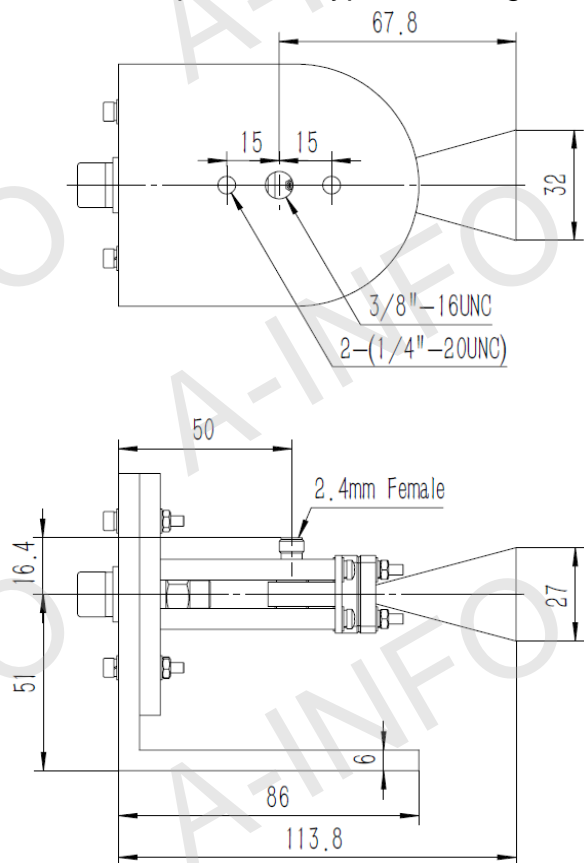
Fax: (+86) 10-6266-7379
Fax: (+86) 28-8519-3068
Fax: (+1) 949-639-9670

Website: www.ainfoinc.com
Email: sales@ainfoinc.com

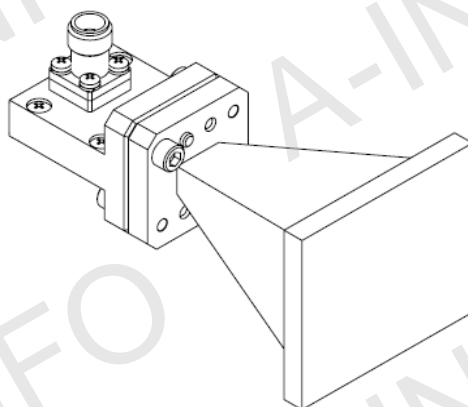
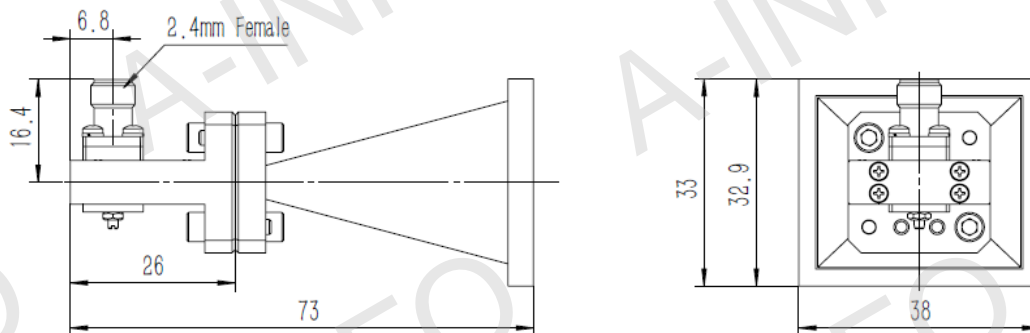
2.4mm-Female Output with Round Mounting Bracket



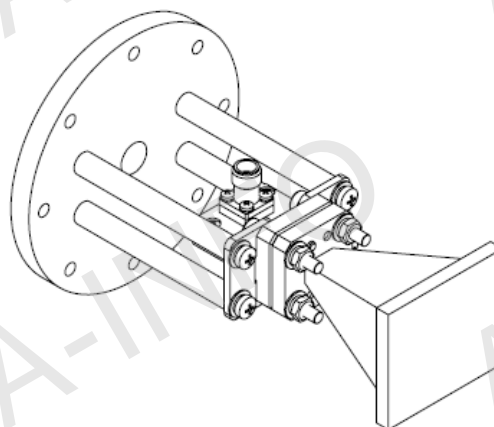
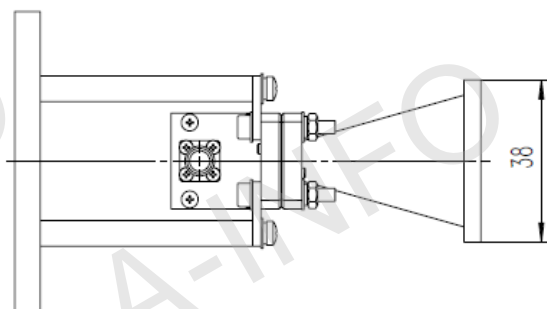
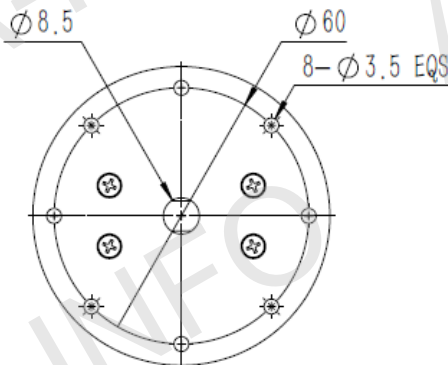
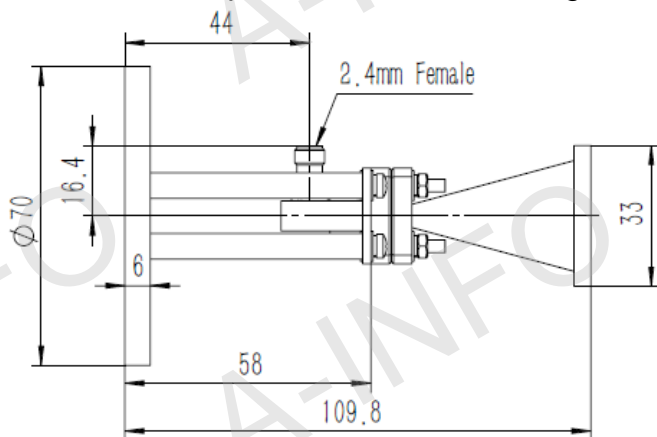
2.4mm-Female Output with L type Mounting Bracket



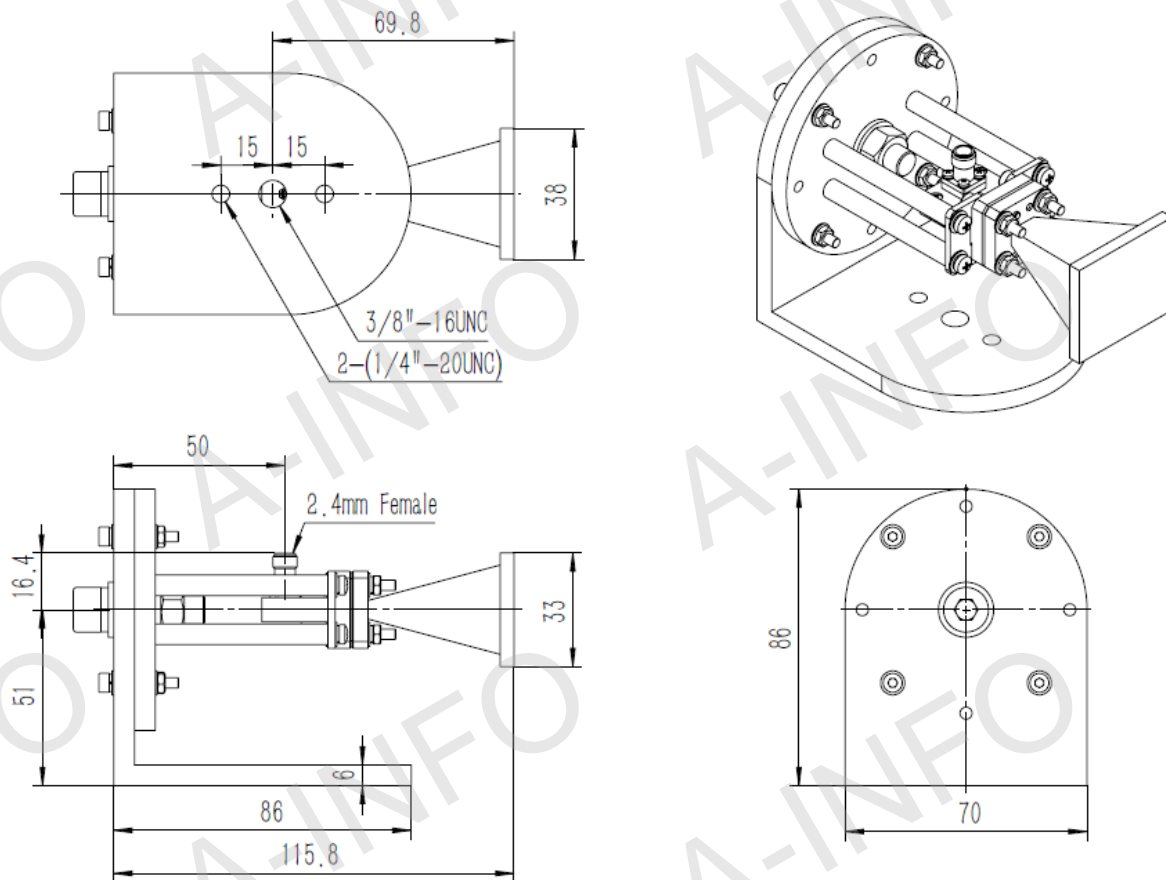
2.4mm-Female Output with Radome



2.4mm-Female Output with Round Mounting Bracket and Radome

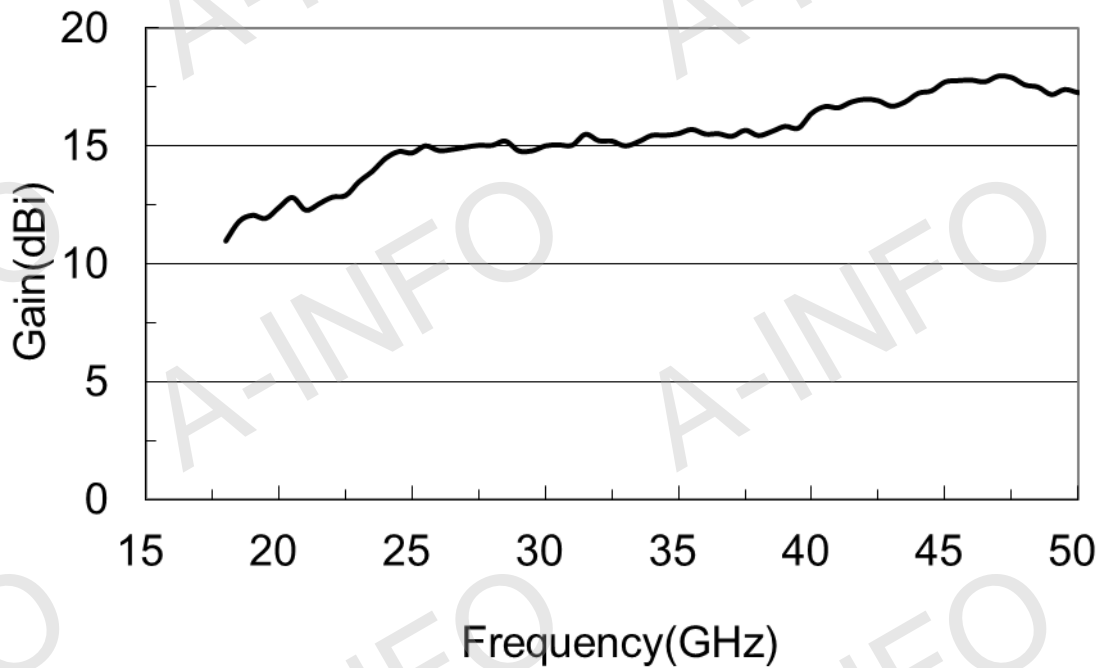


2.4mm-Female Output with L type Mounting Bracket and Radome

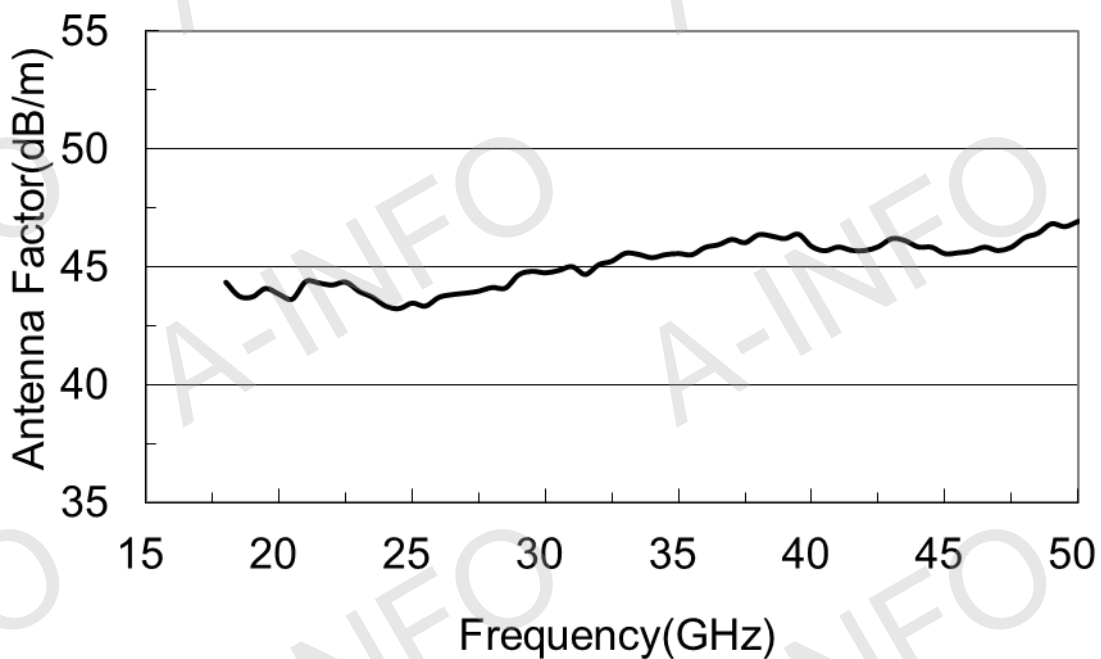


Test Results

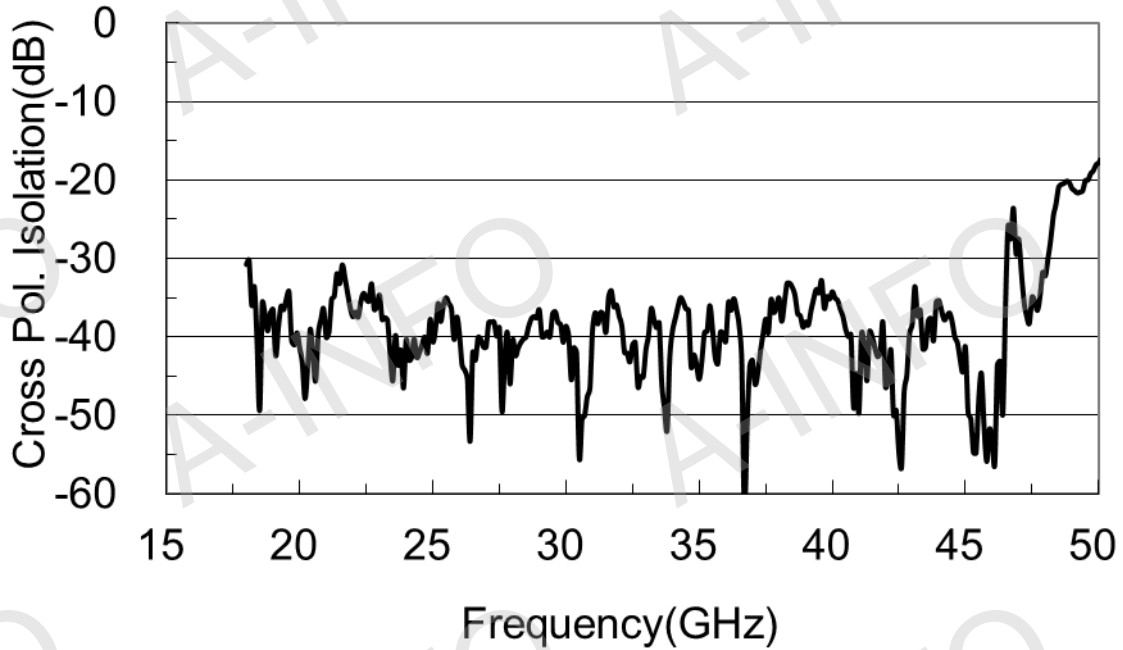
1. Gain



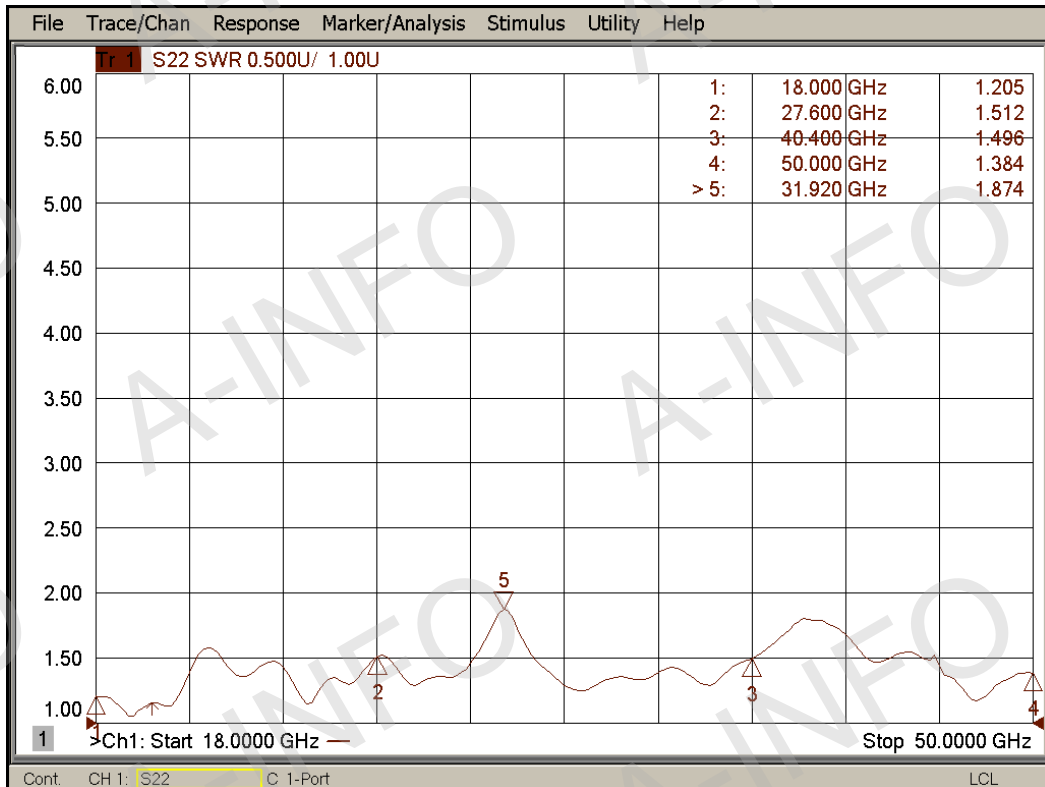
2. Antenna Factor



3. Cross Polarization Isolation



4. VSWR



5. Pattern

