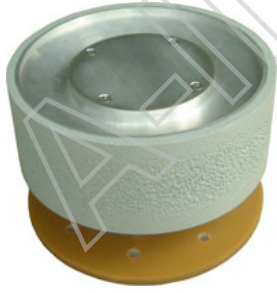
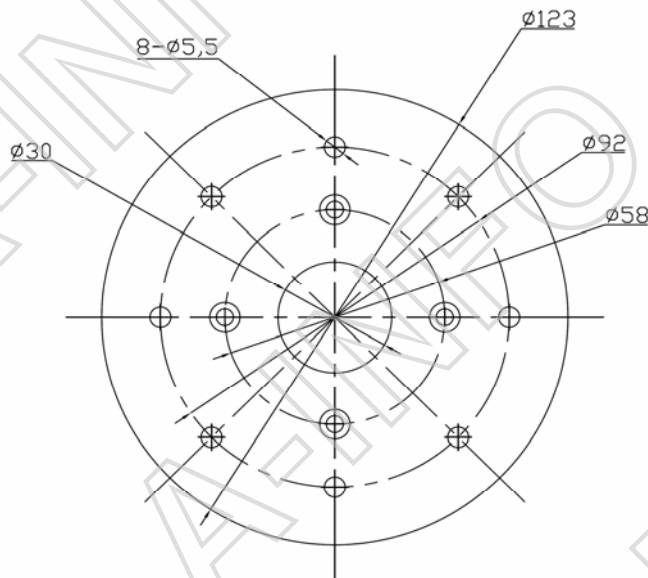
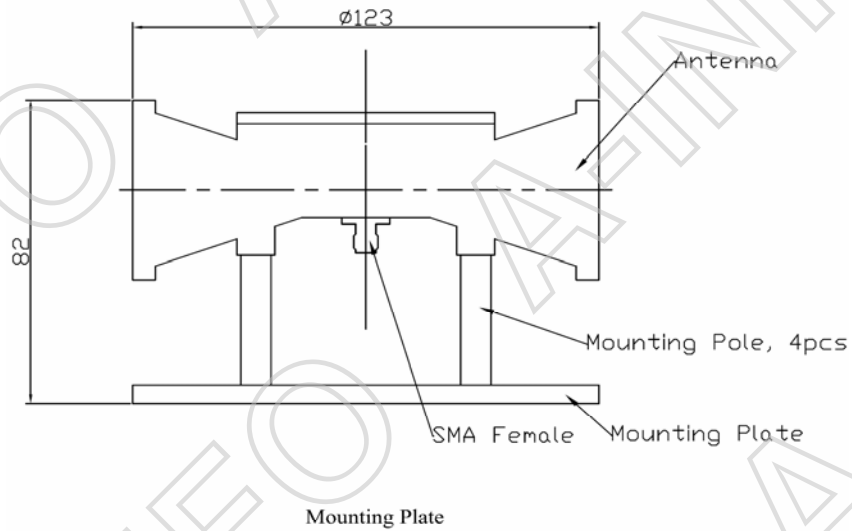


Technical Specification



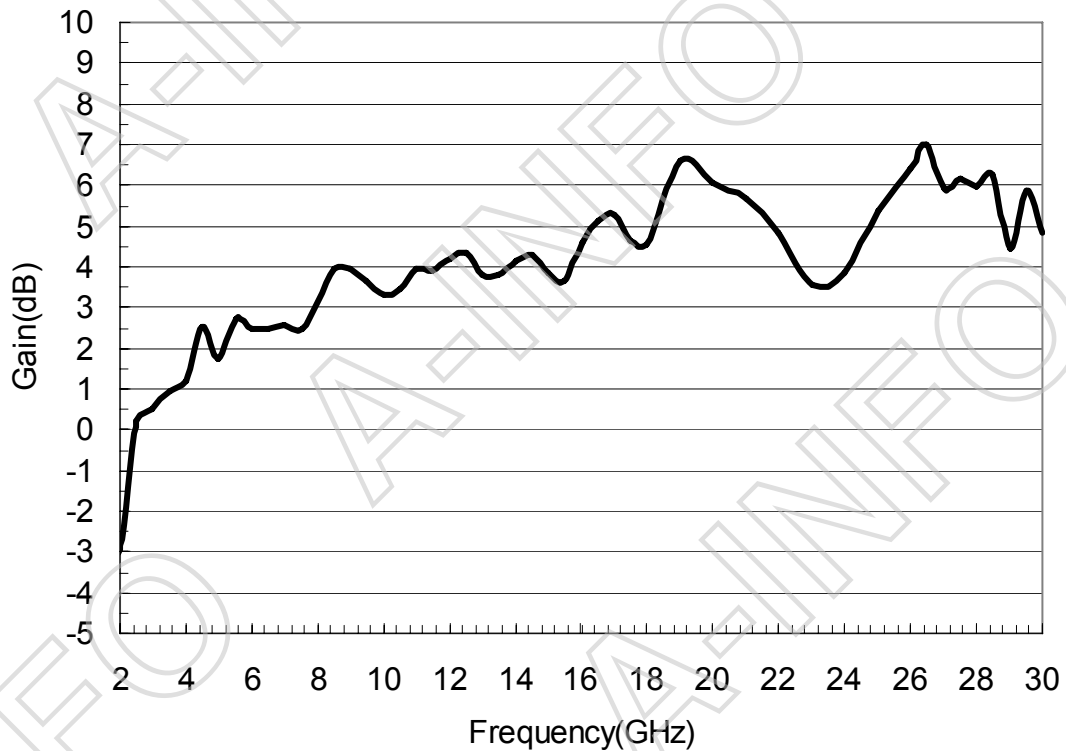
| | |
|----------------------|------------|
| Frequency Range(GHz) | 2.0 - 30.0 |
| Polarization | Vertical |
| Gain(dB) | 0 Typ. |
| VSWR | 2.5:1 Typ. |
| | 3.0:1 Max |
| Power (W) | 50 CW |
| Connector | SMA-Female |
| Size(mm) | Φ123x82 |
| Net Weight(Kg) | 0.4 Around |

Outline Drawing (Size: mm)

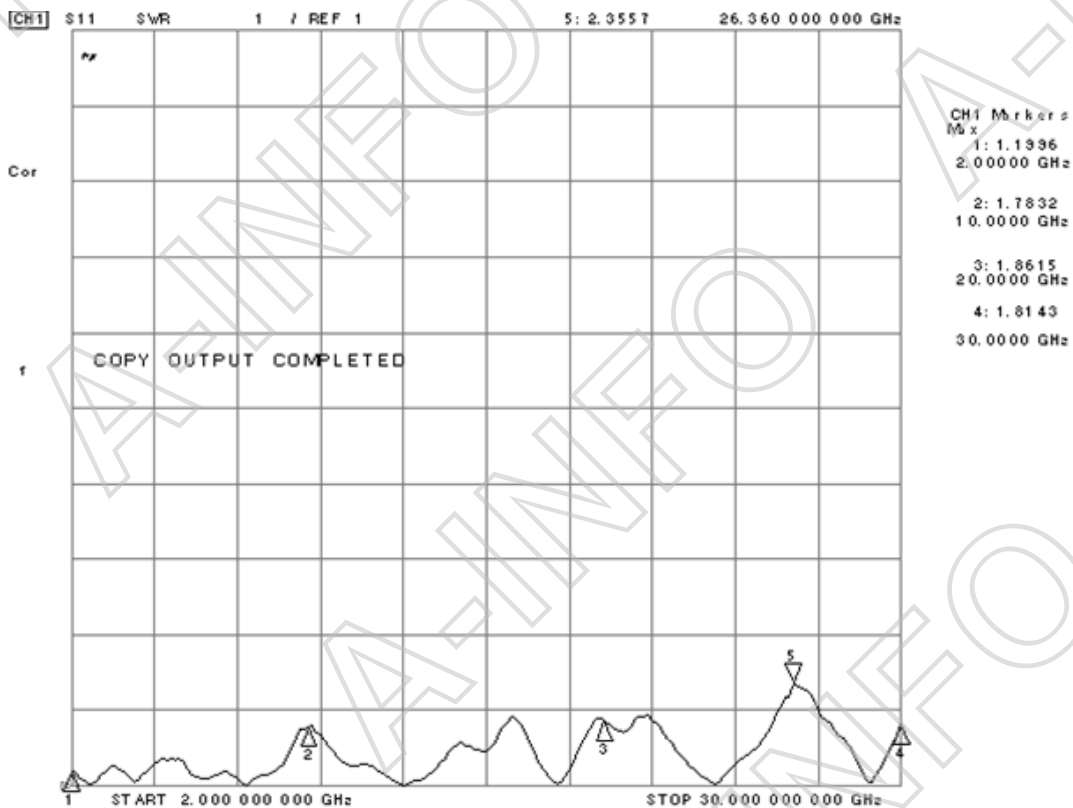


Test Result

1. Gain

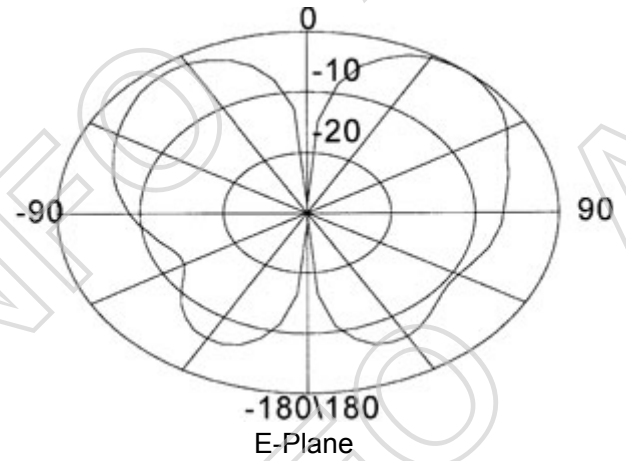
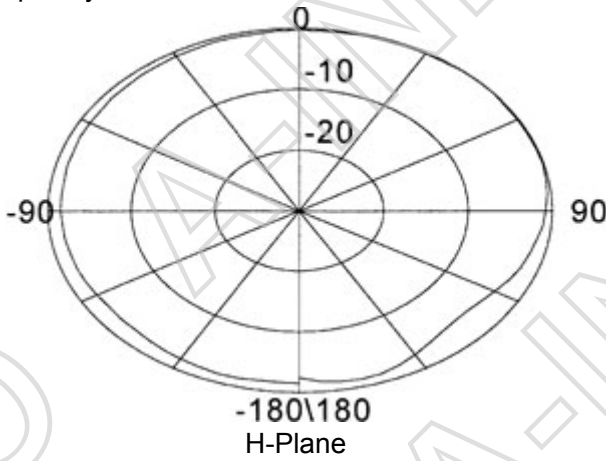


2. VSWR

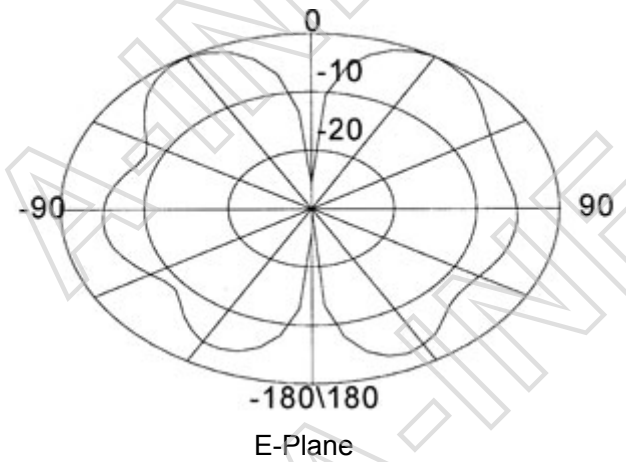
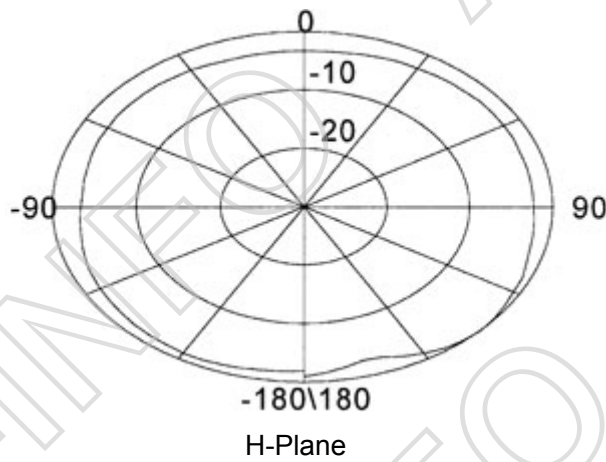


3. Pattern

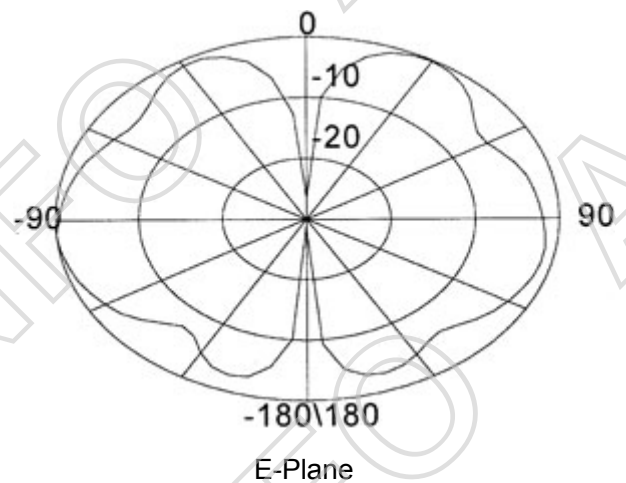
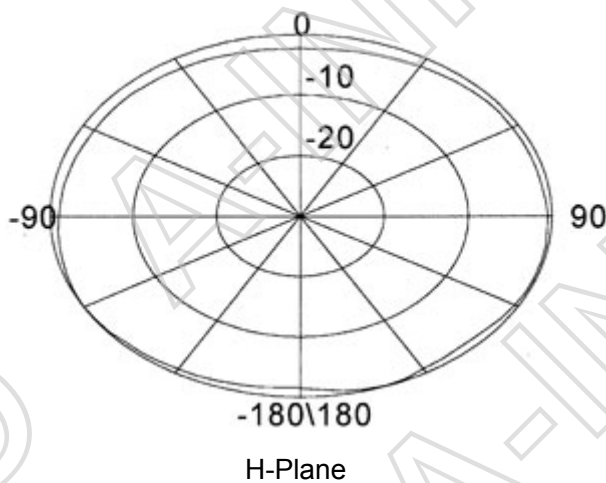
Frequency: 2.0GHz

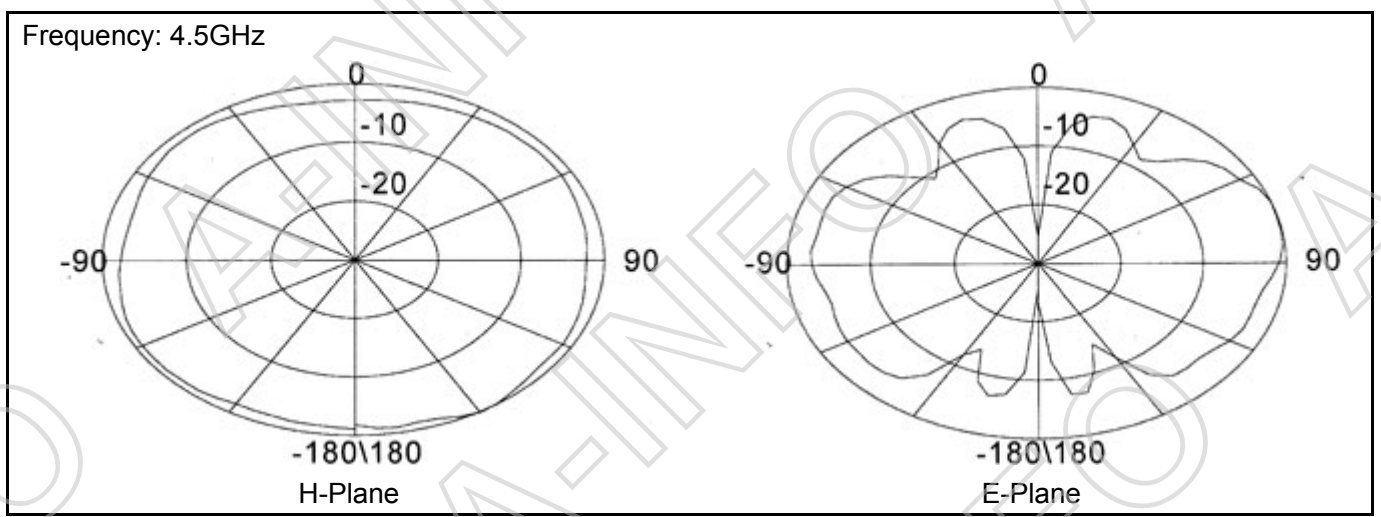
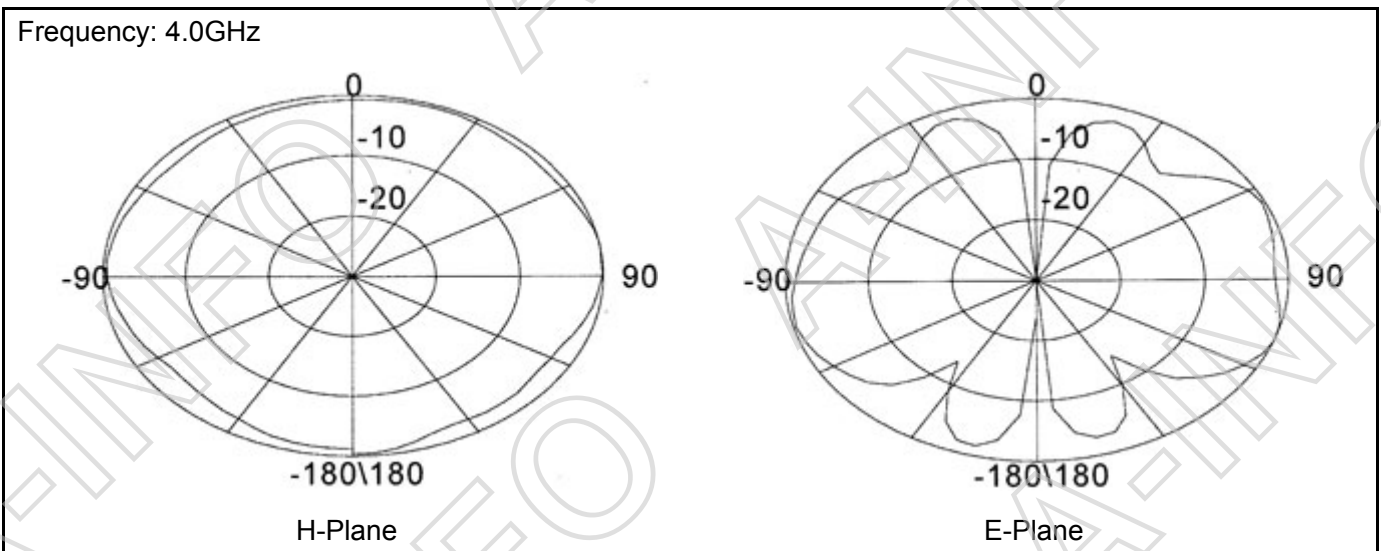
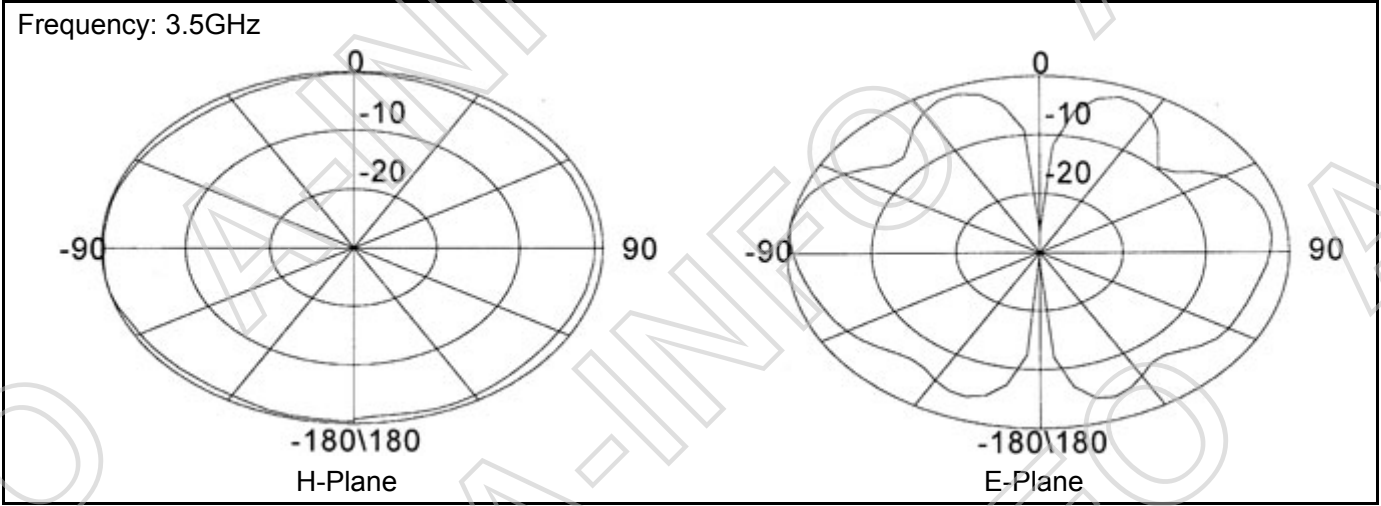


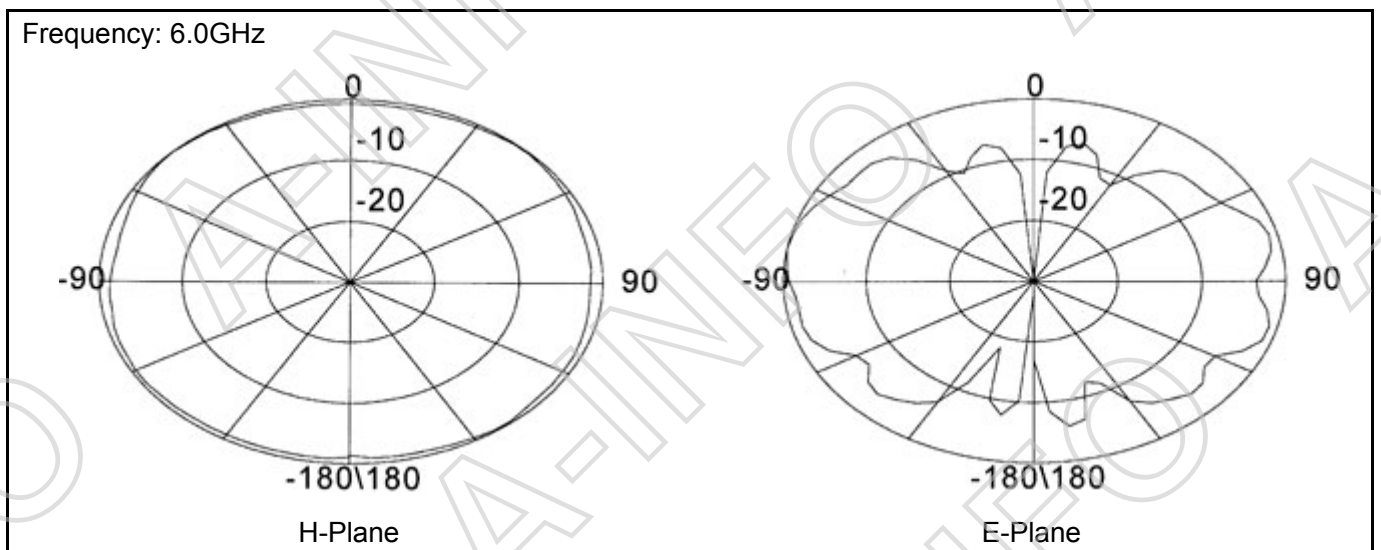
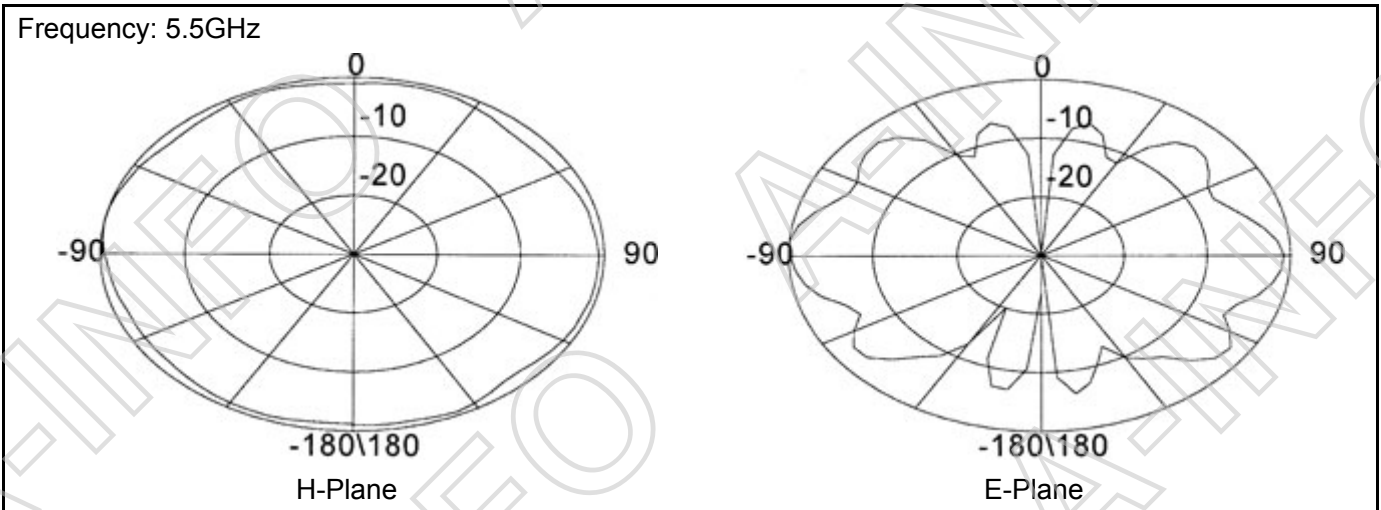
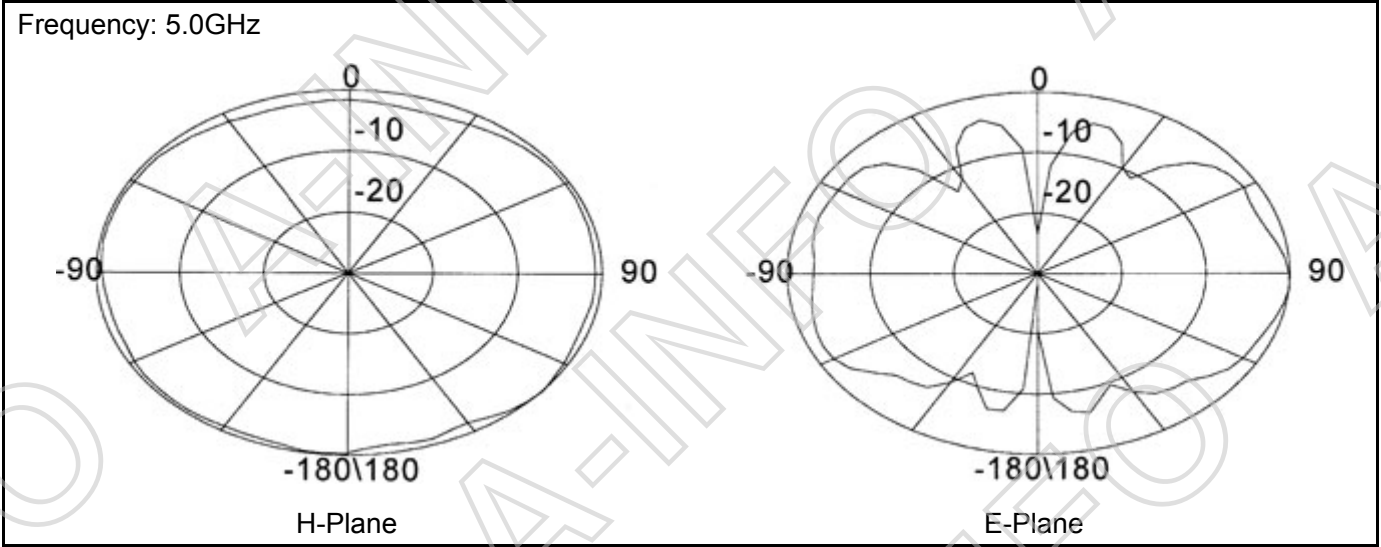
Frequency: 2.5GHz

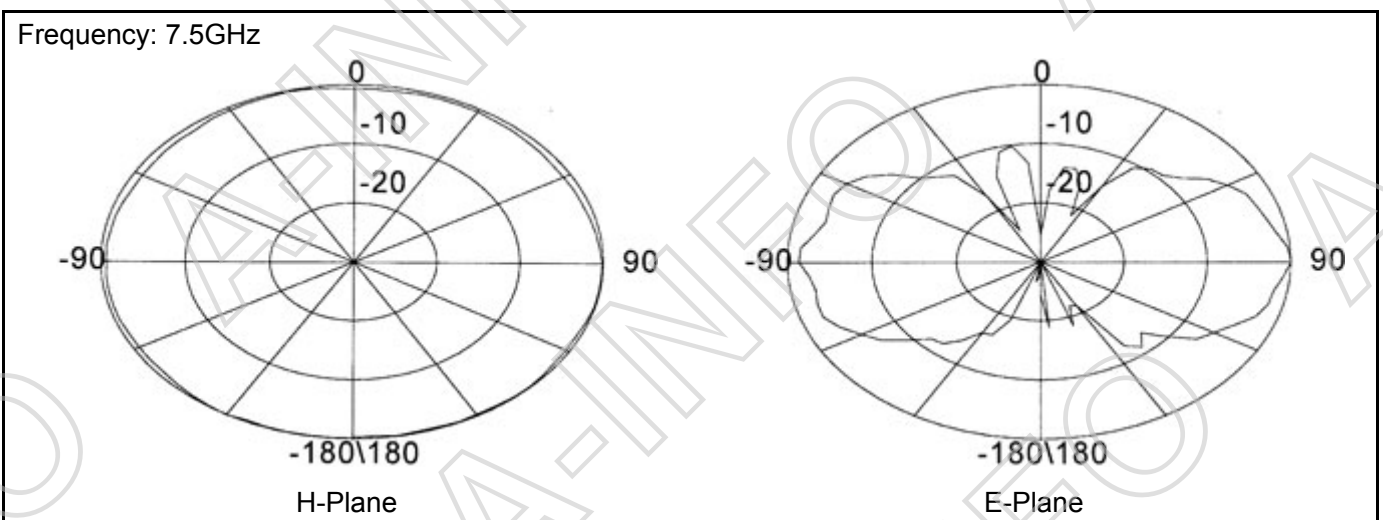
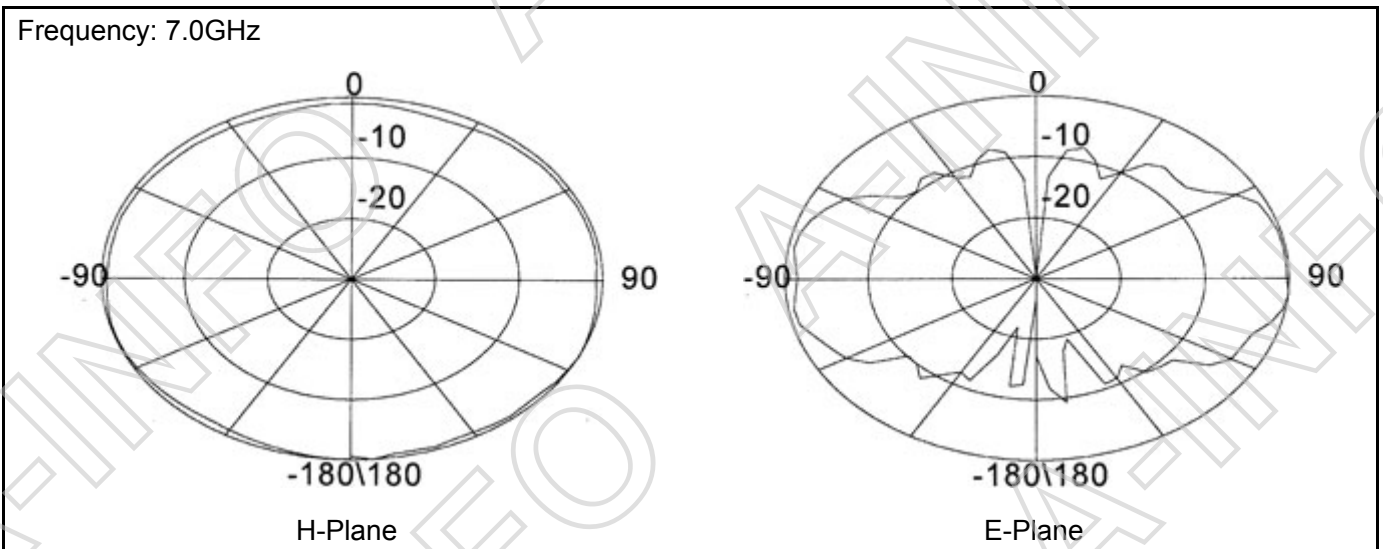
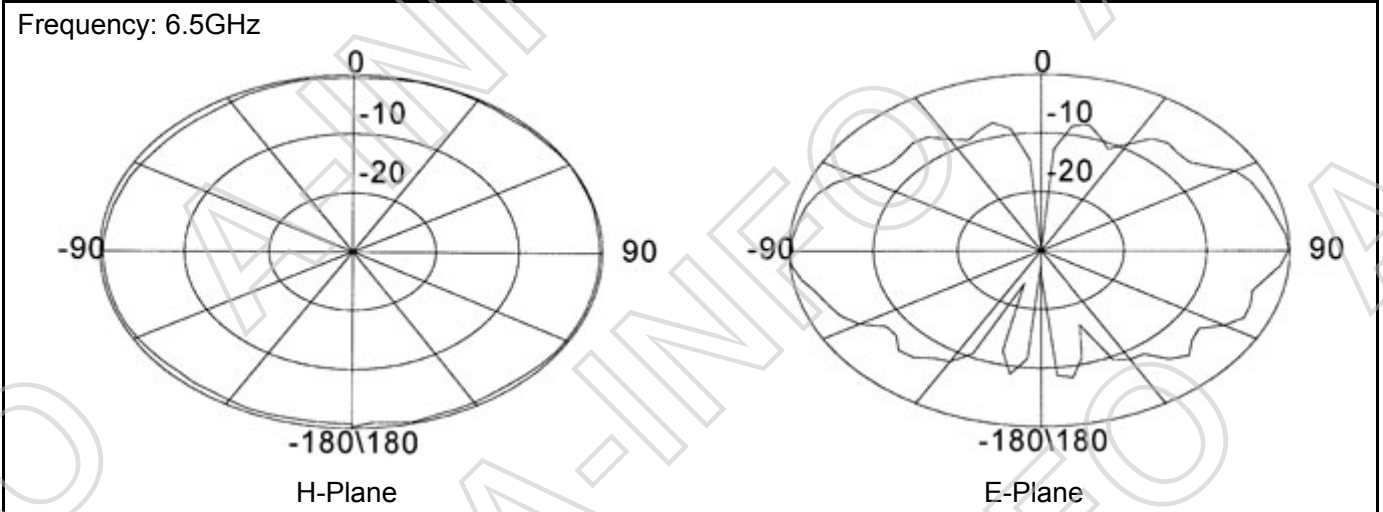


Frequency: 3.0GHz

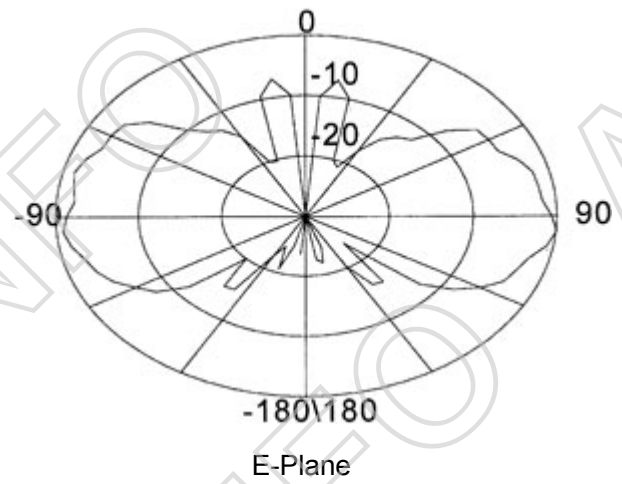
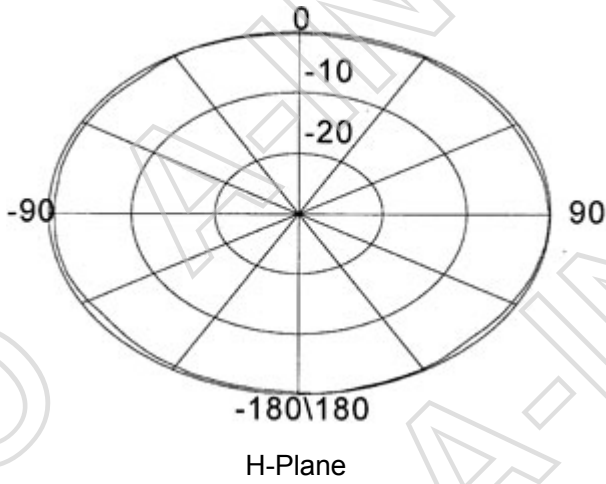




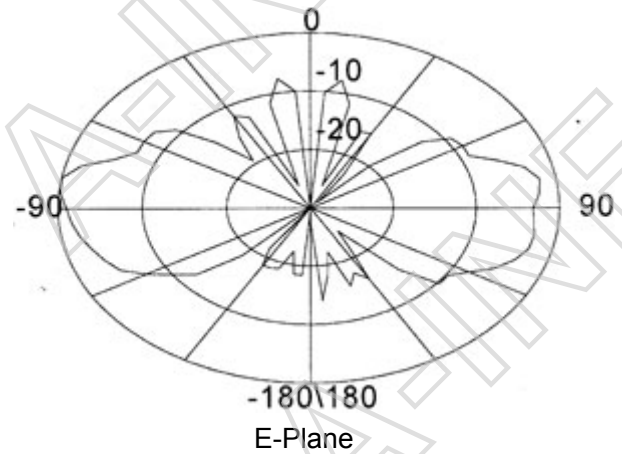
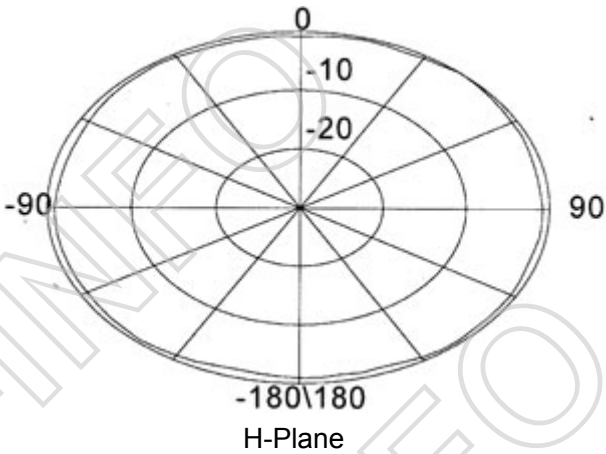




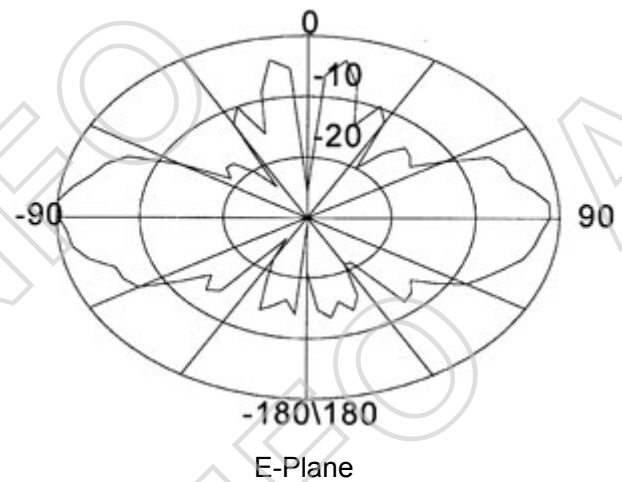
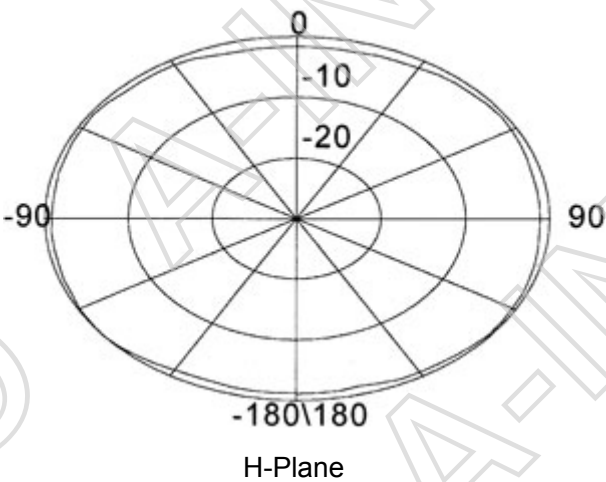
Frequency: 8.0GHz

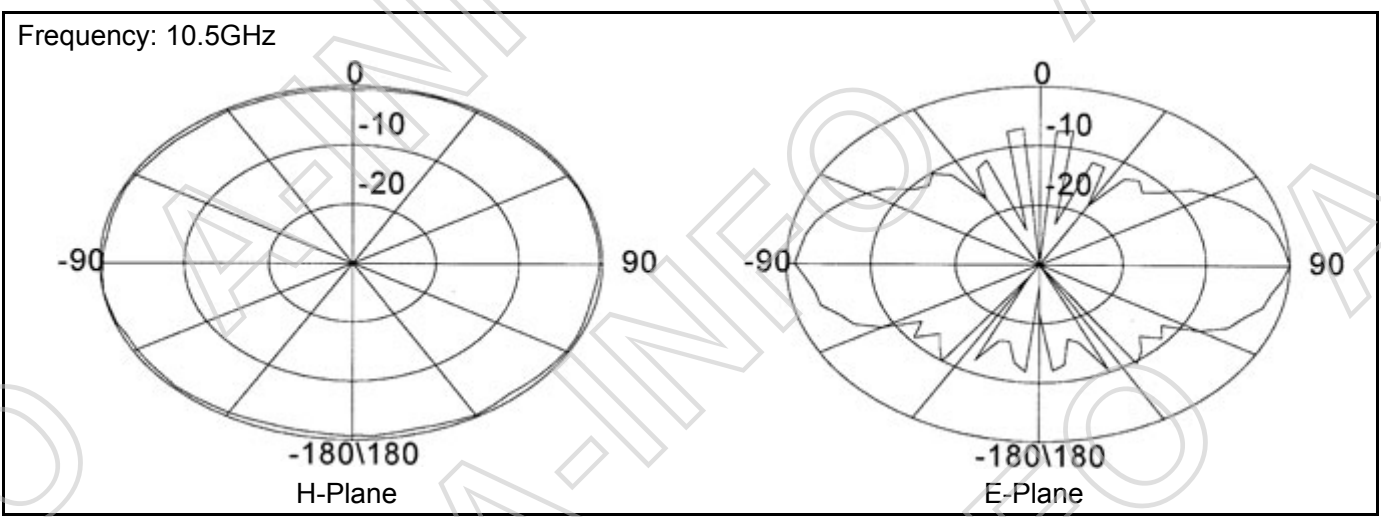
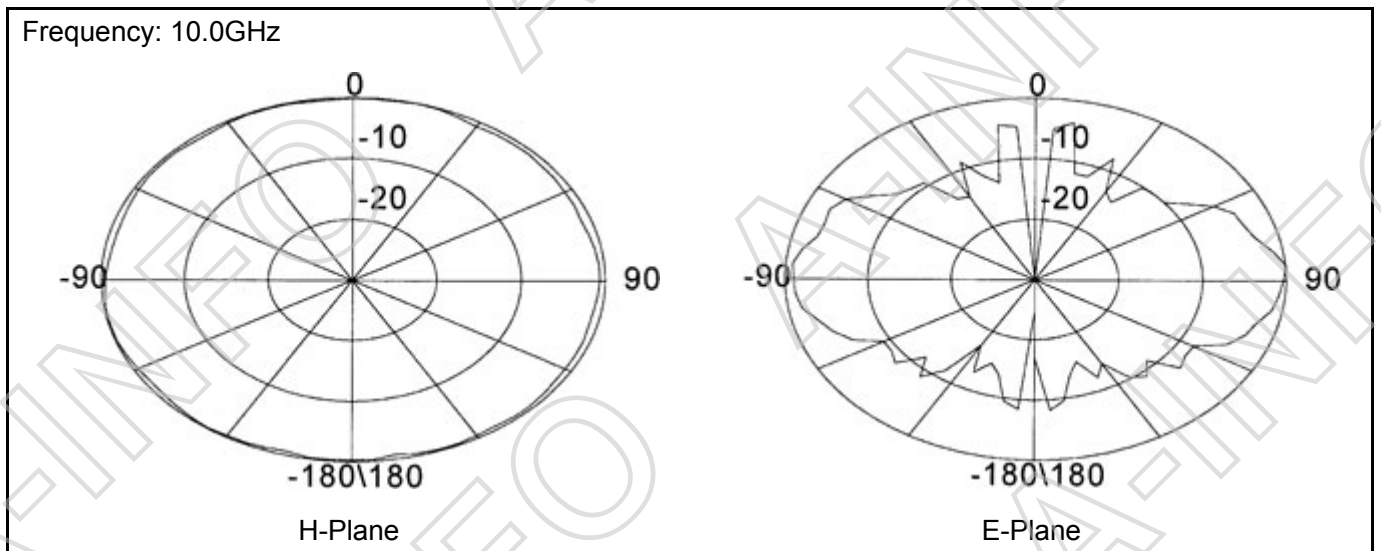
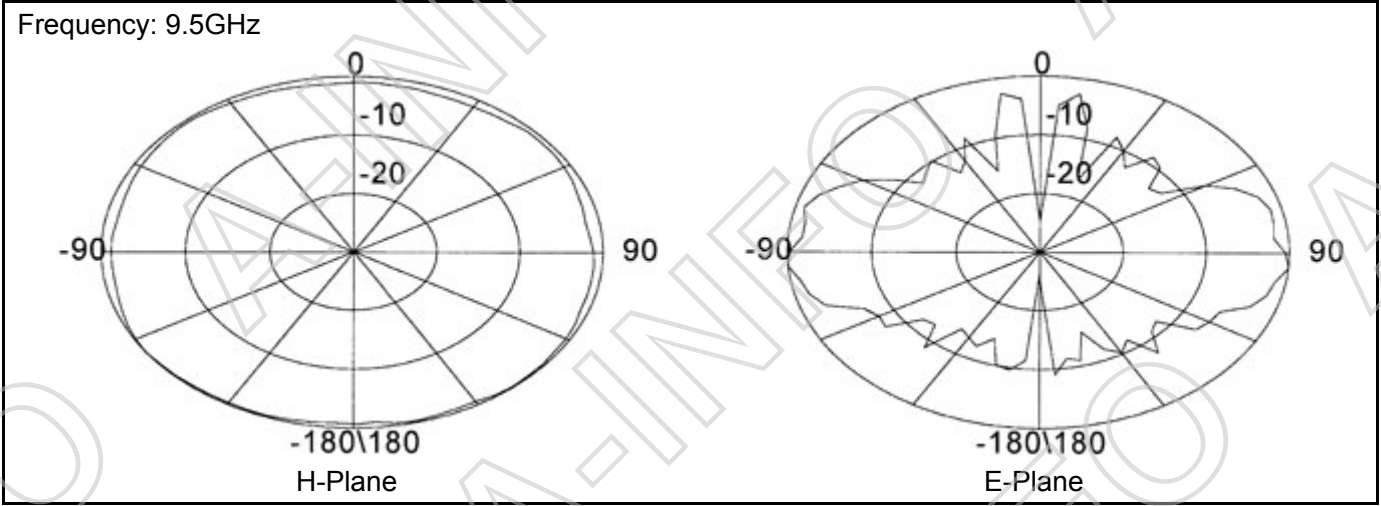


Frequency: 8.5GHz

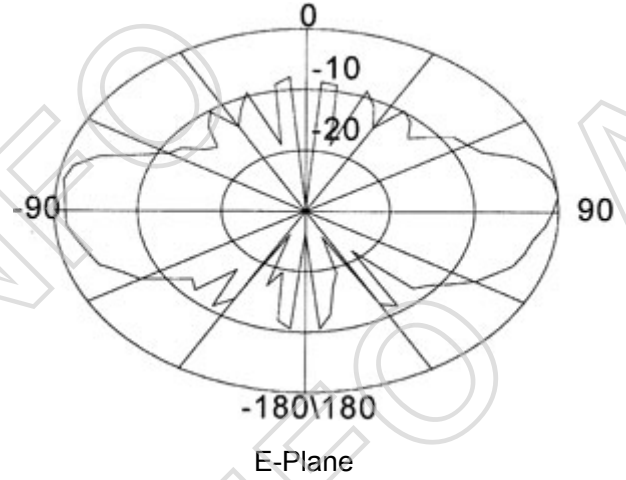
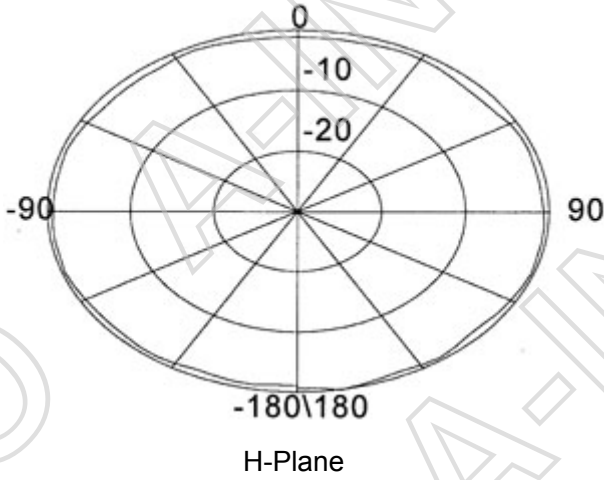


Frequency: 9.0GHz

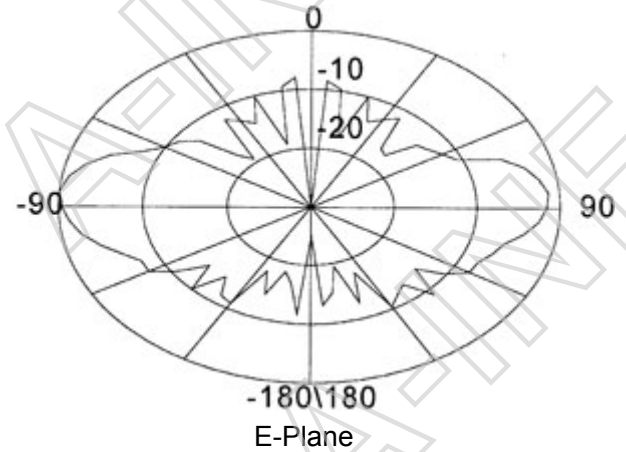
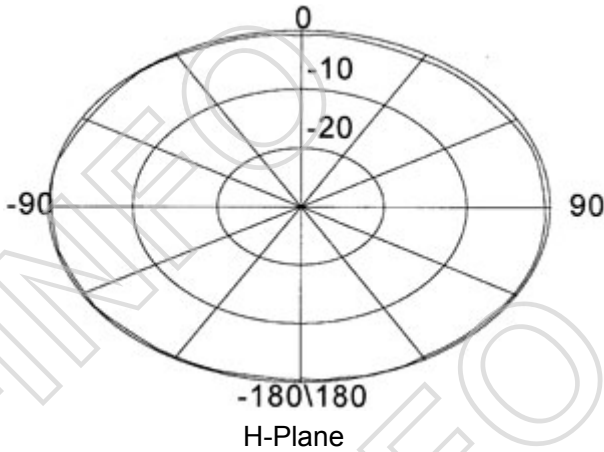




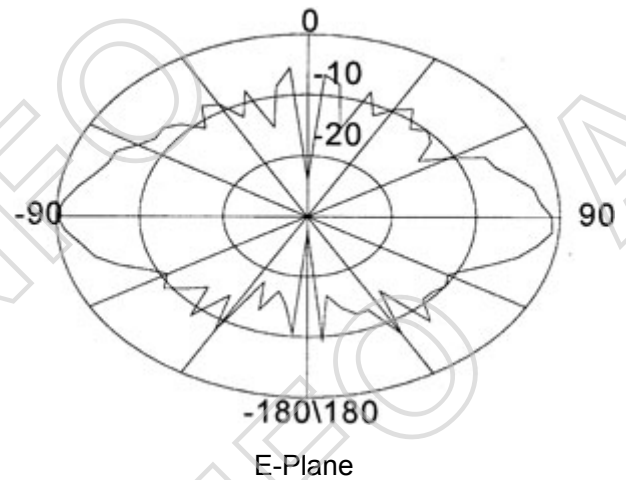
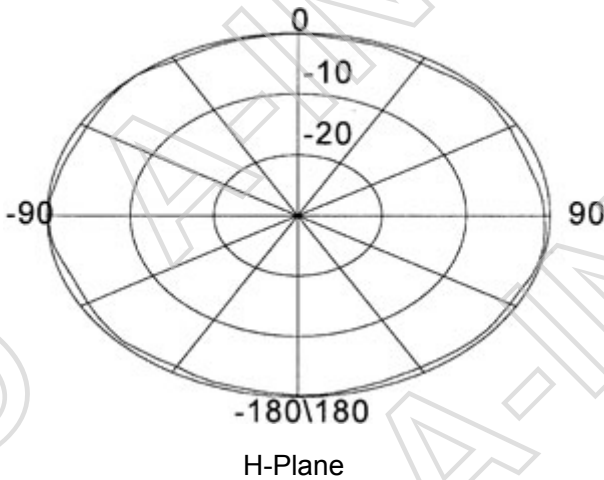
Frequency: 11.0GHz



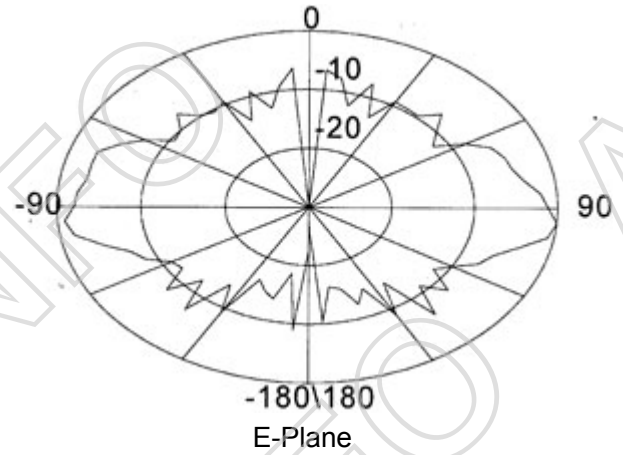
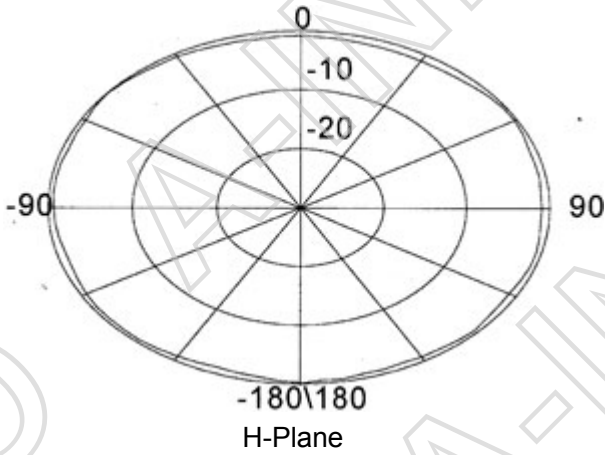
Frequency: 11.5GHz



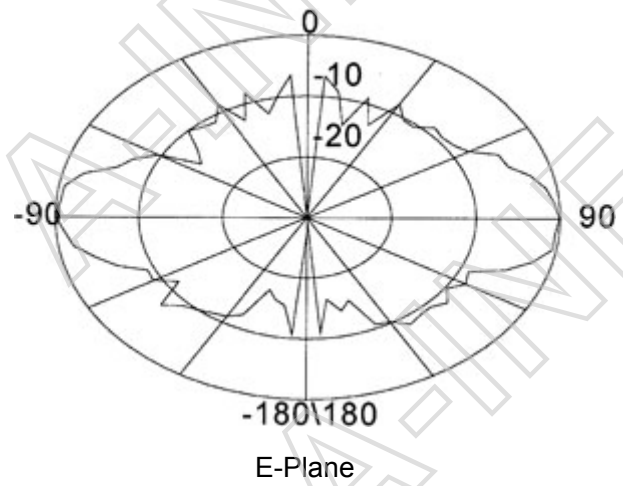
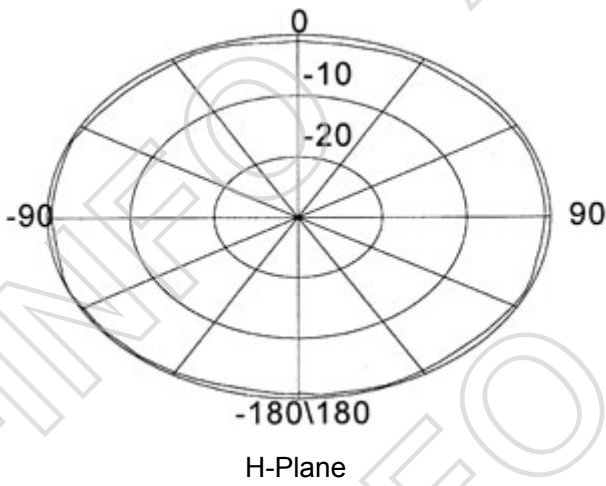
Frequency: 12.0GHz



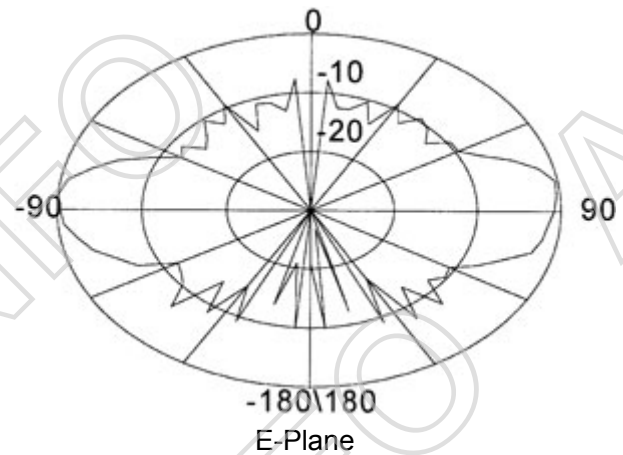
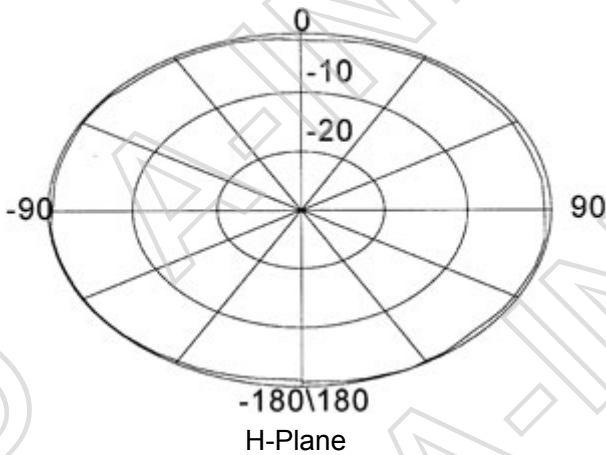
Frequency: 12.5GHz



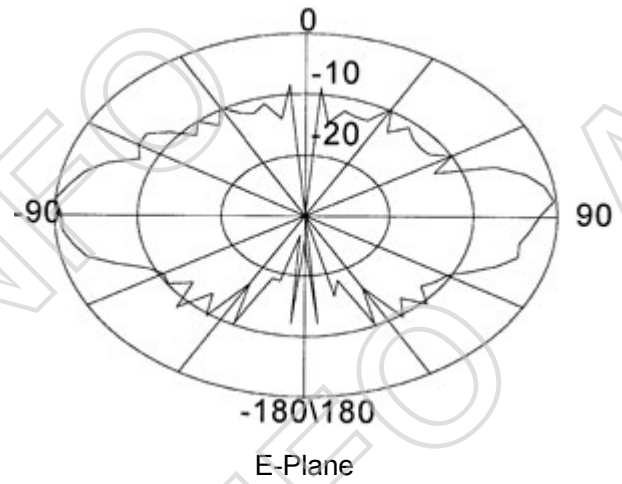
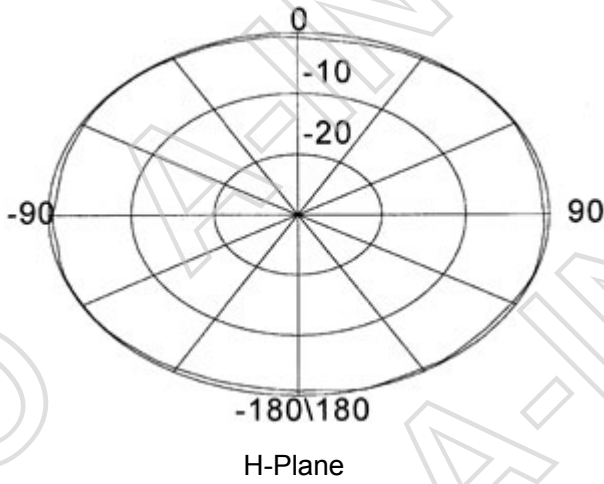
Frequency: 13.0GHz



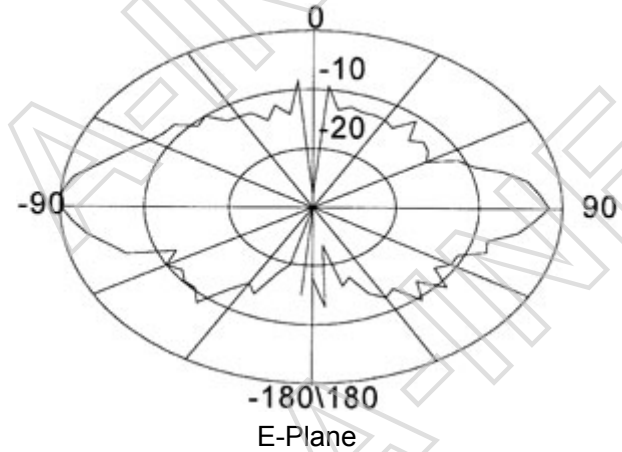
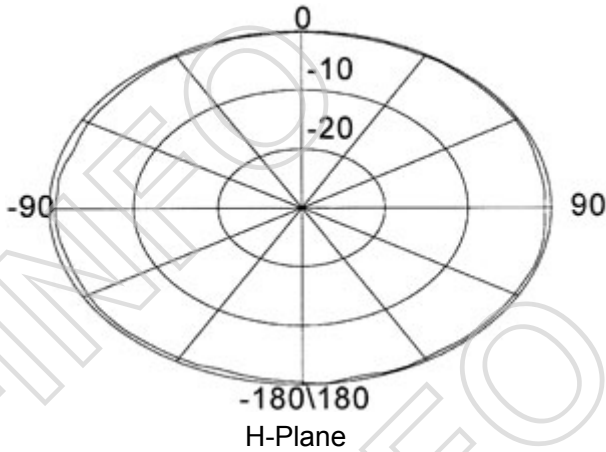
Frequency: 13.5GHz



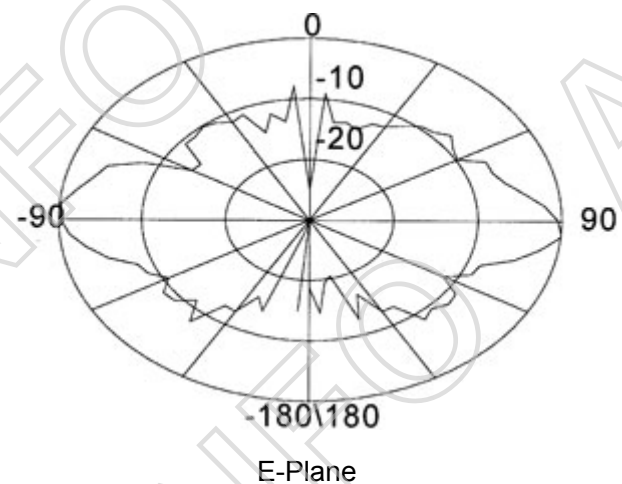
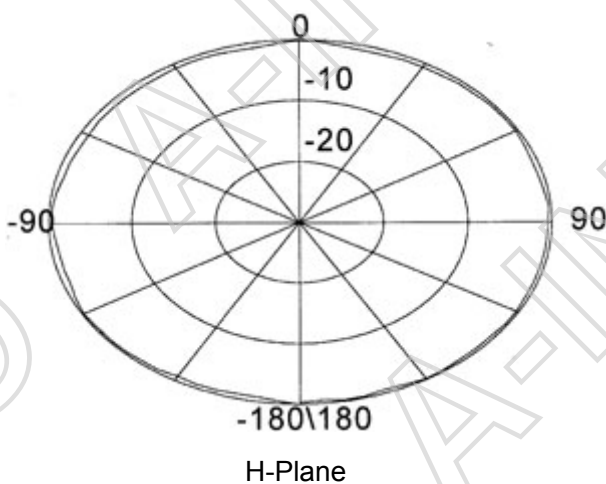
Frequency: 14.0GHz

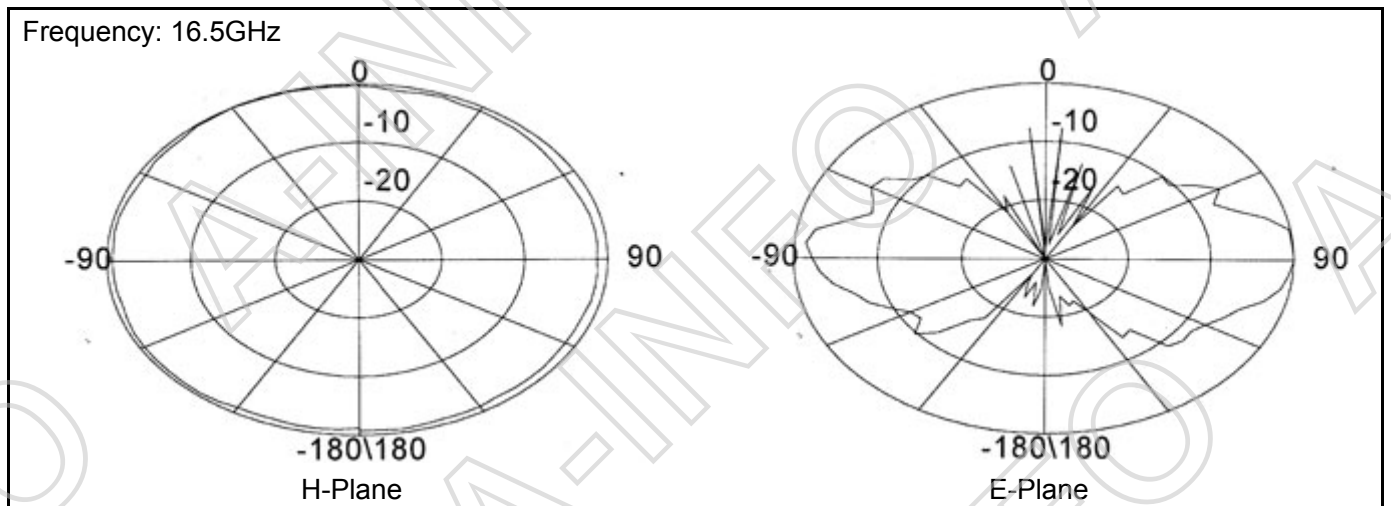
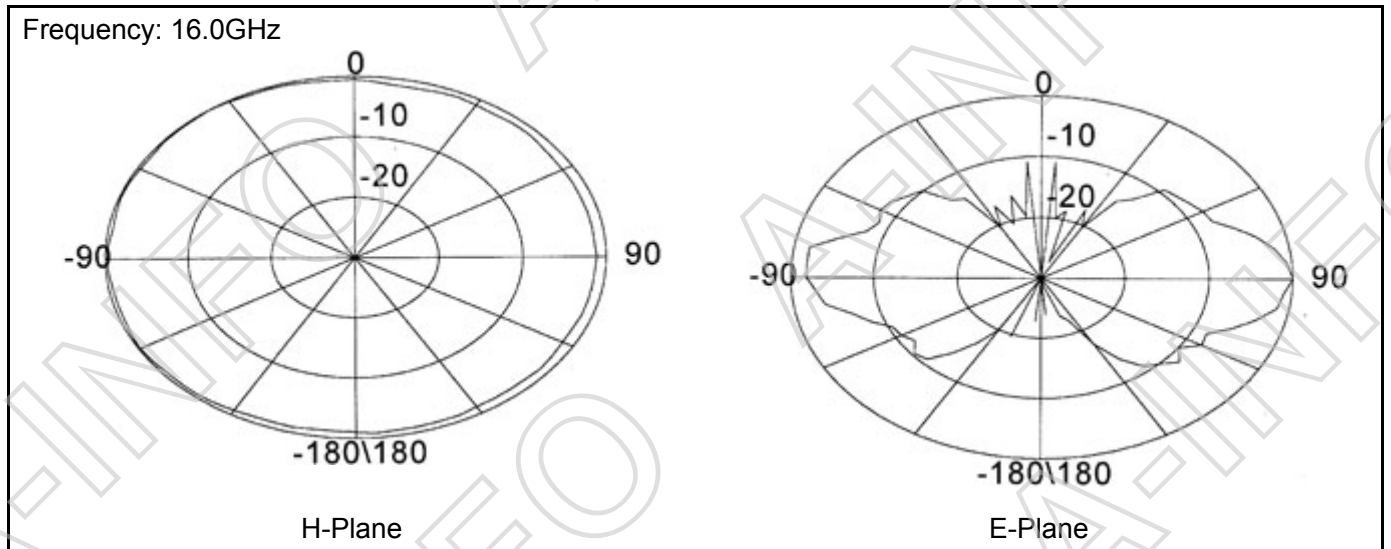
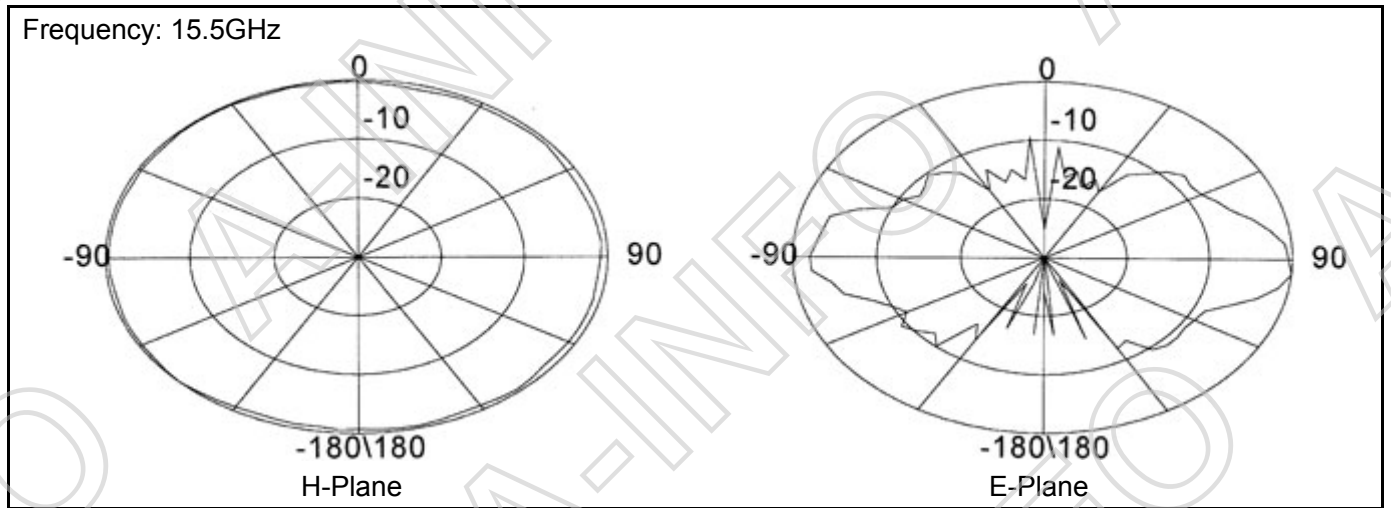


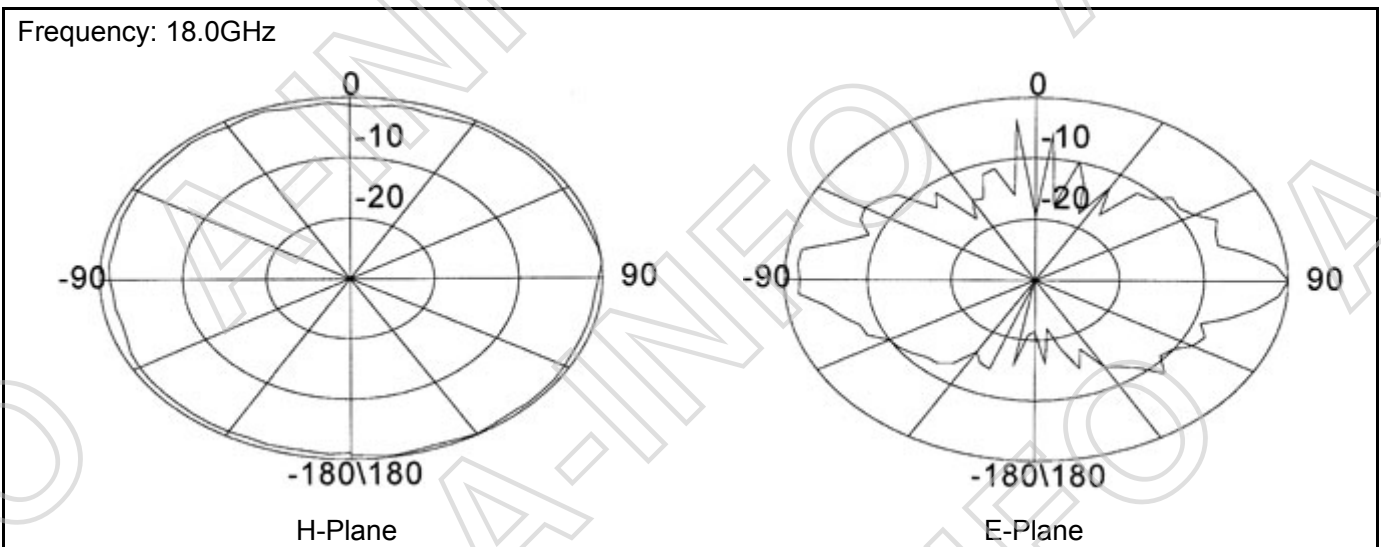
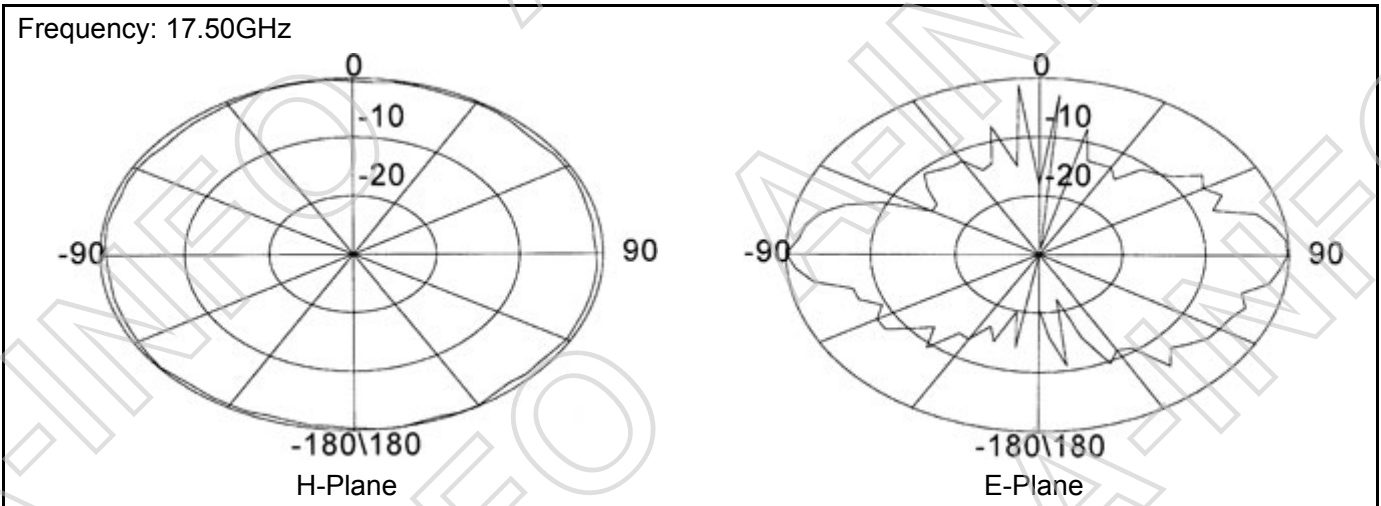
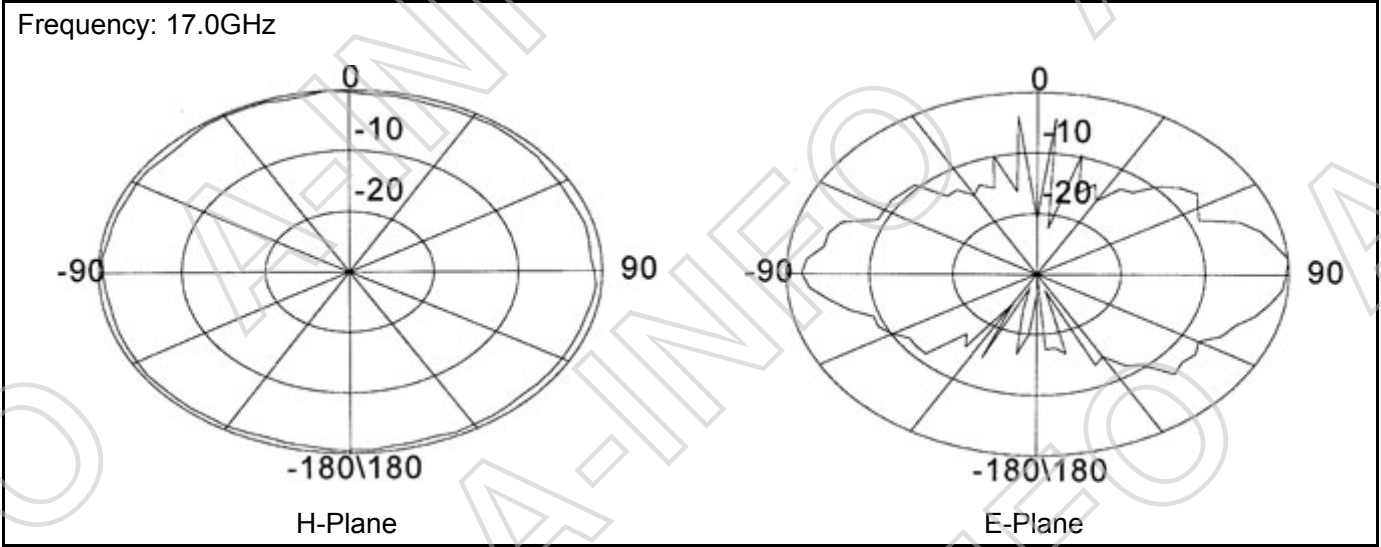
Frequency: 14.5GHz



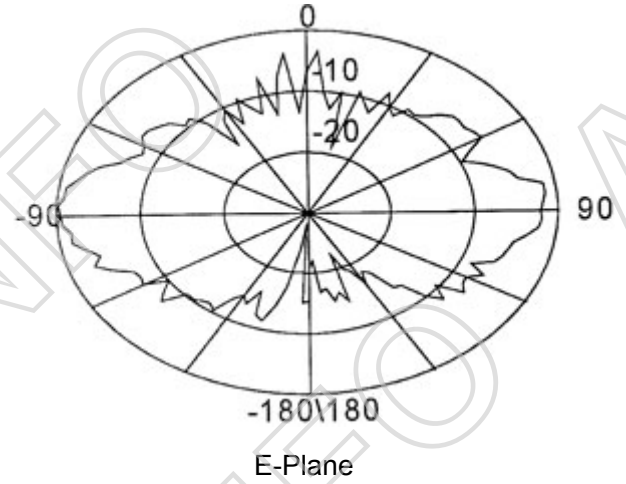
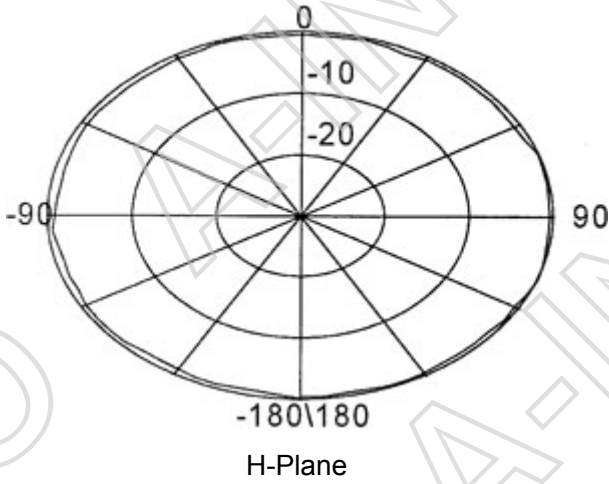
Frequency: 15.0GHz



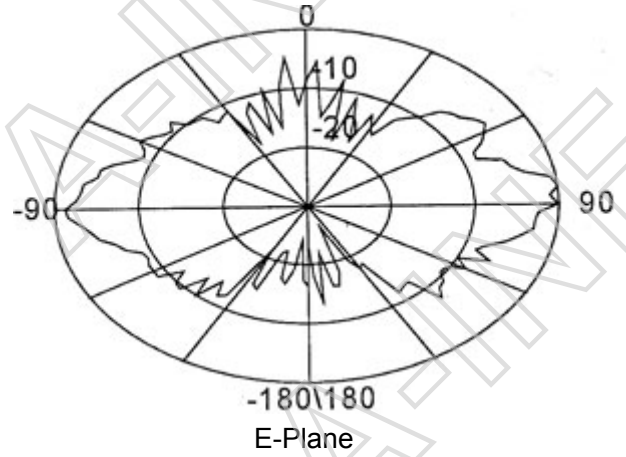
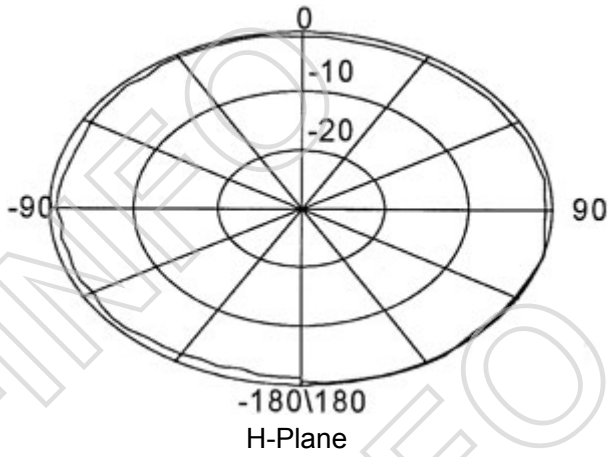




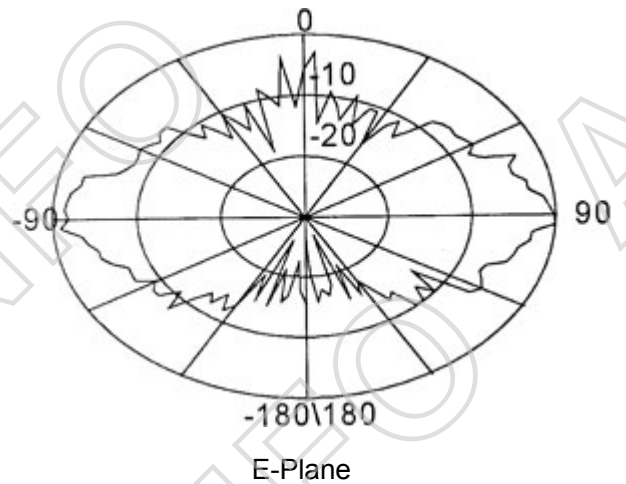
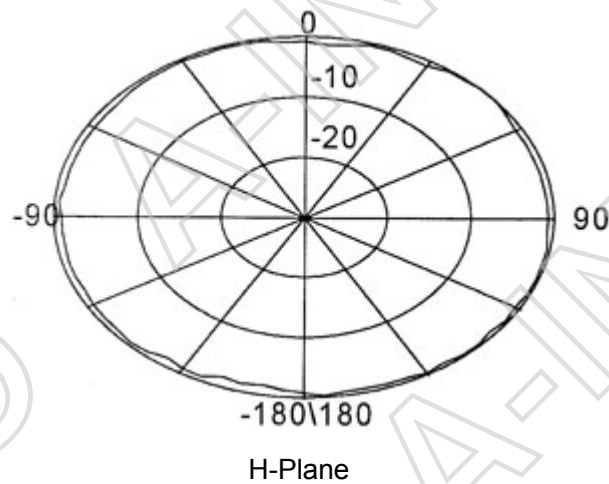
Frequency: 18.5GHz

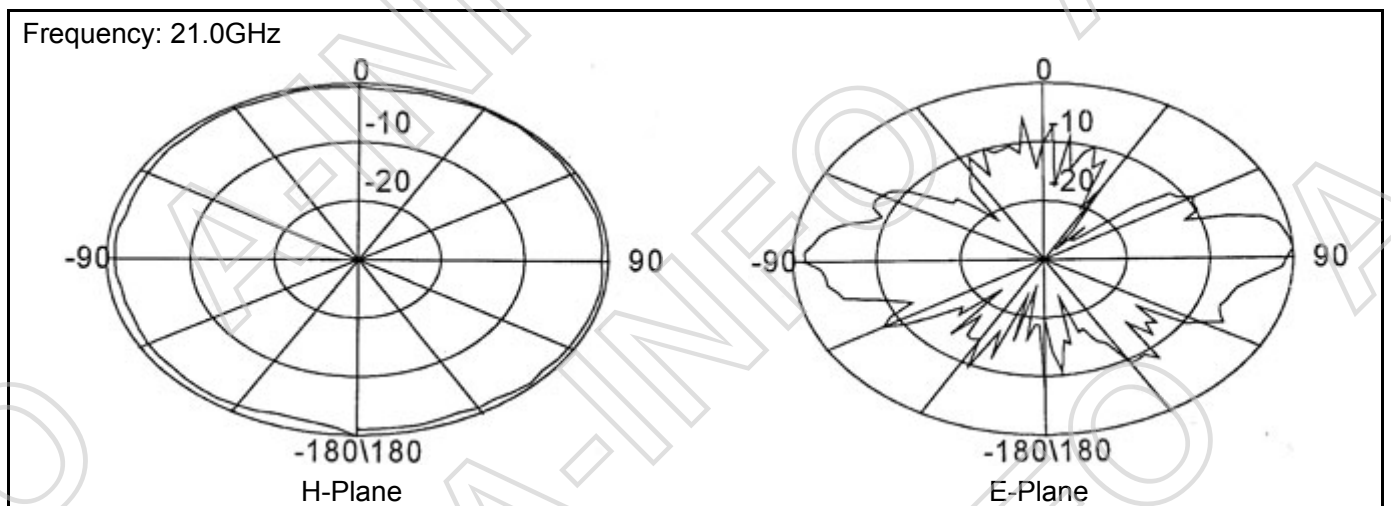
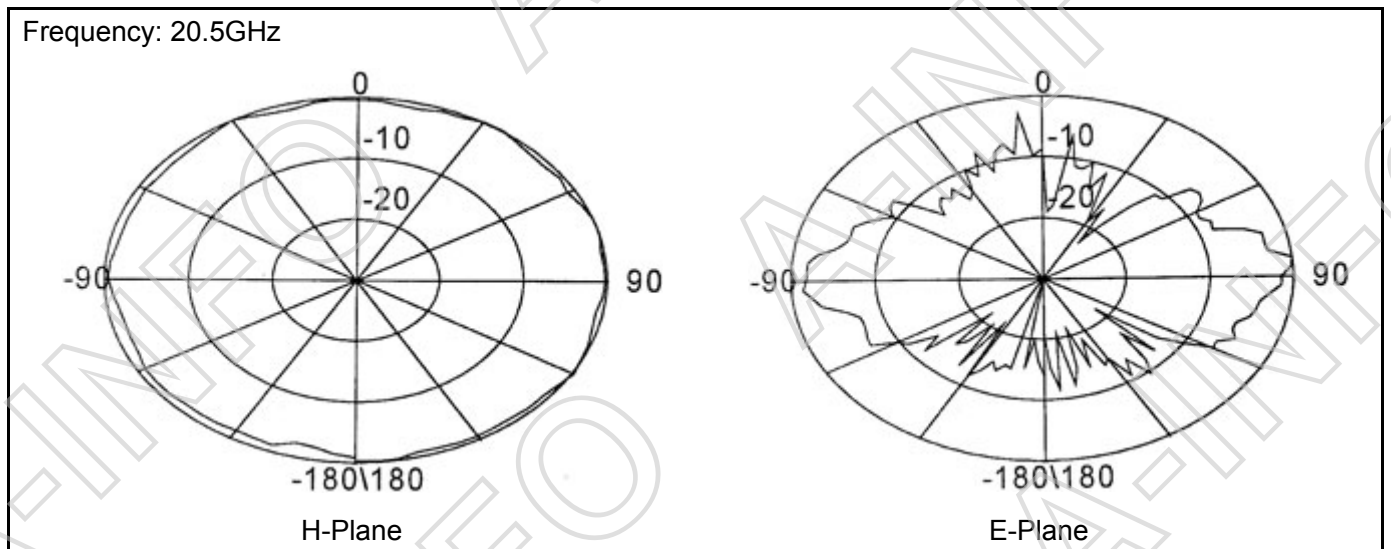
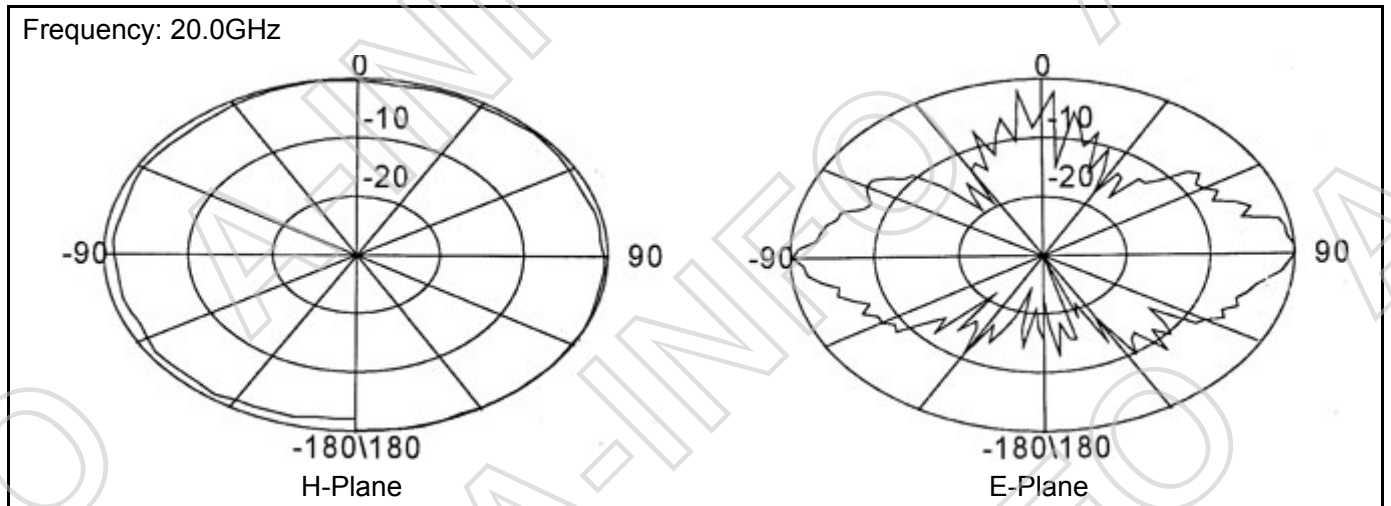


Frequency: 19.0GHz

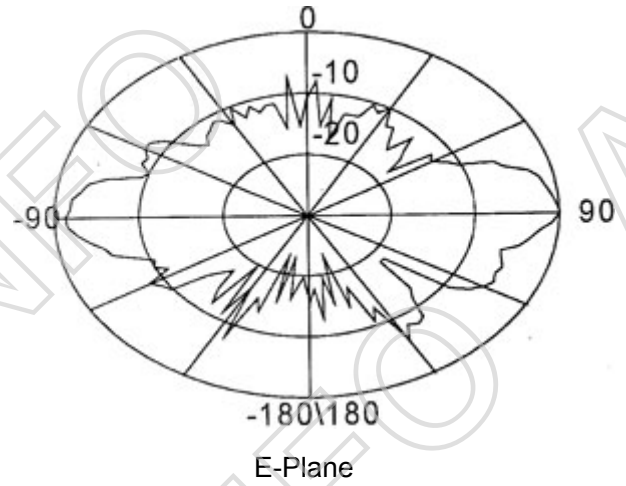
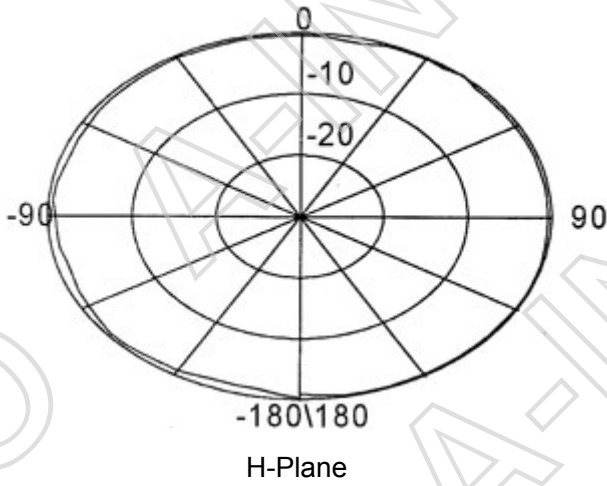


Frequency: 19.5GHz

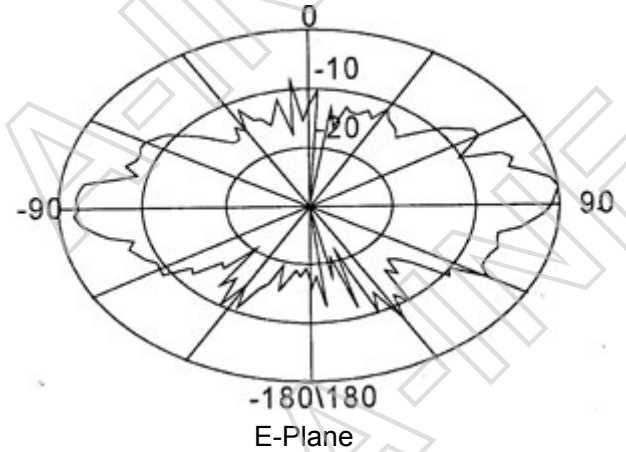
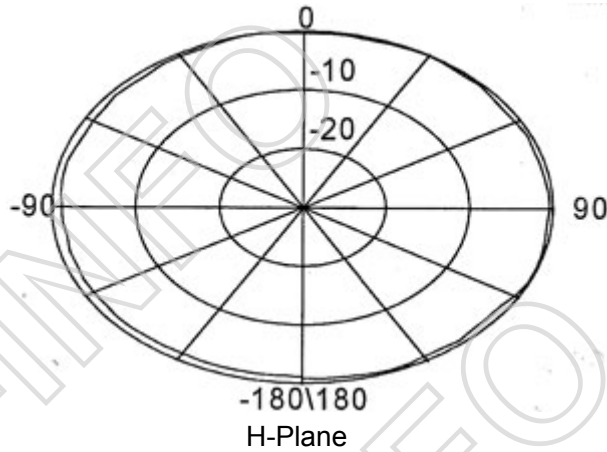




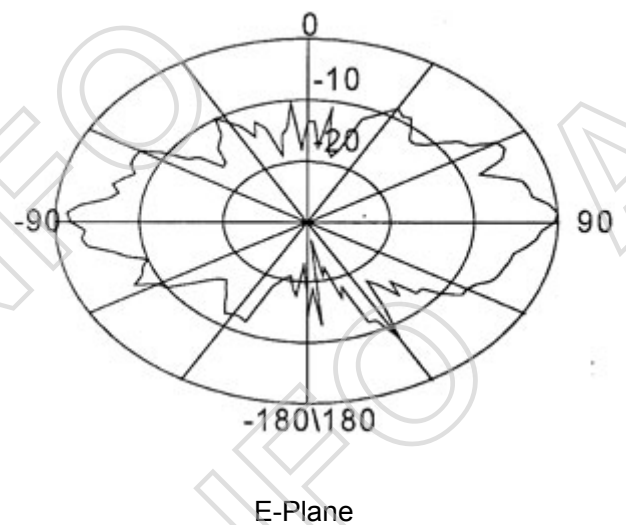
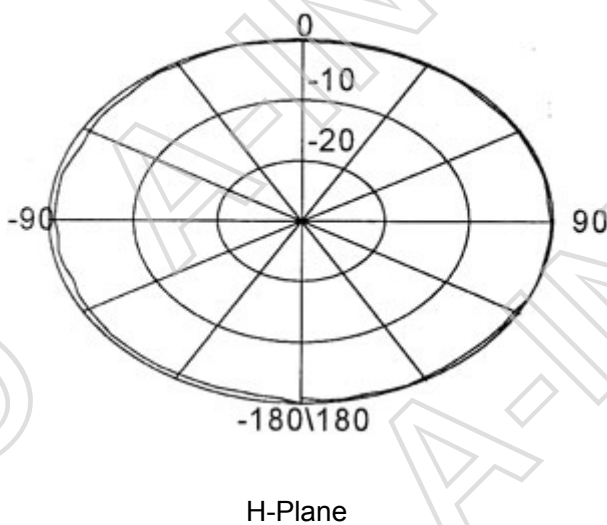
Frequency: 21.5GHz

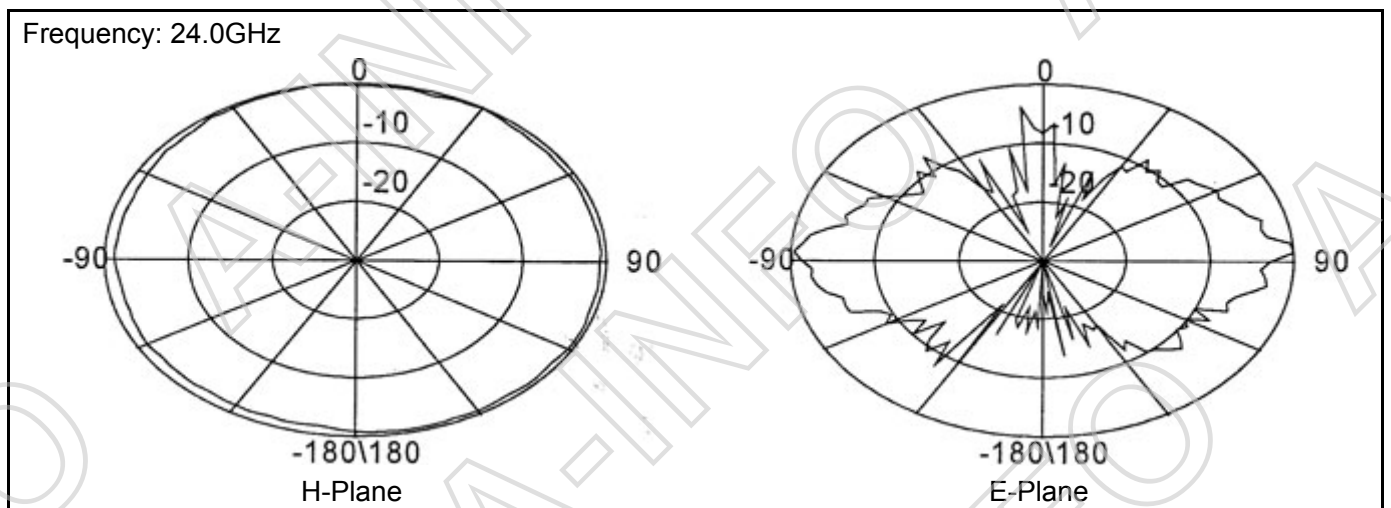
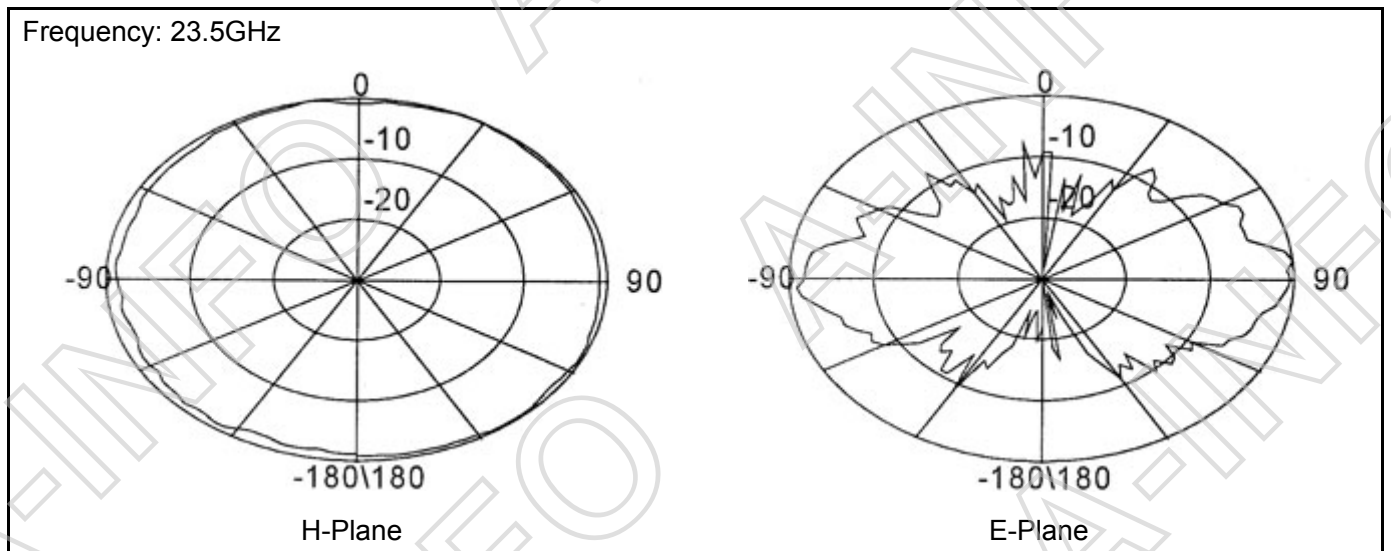
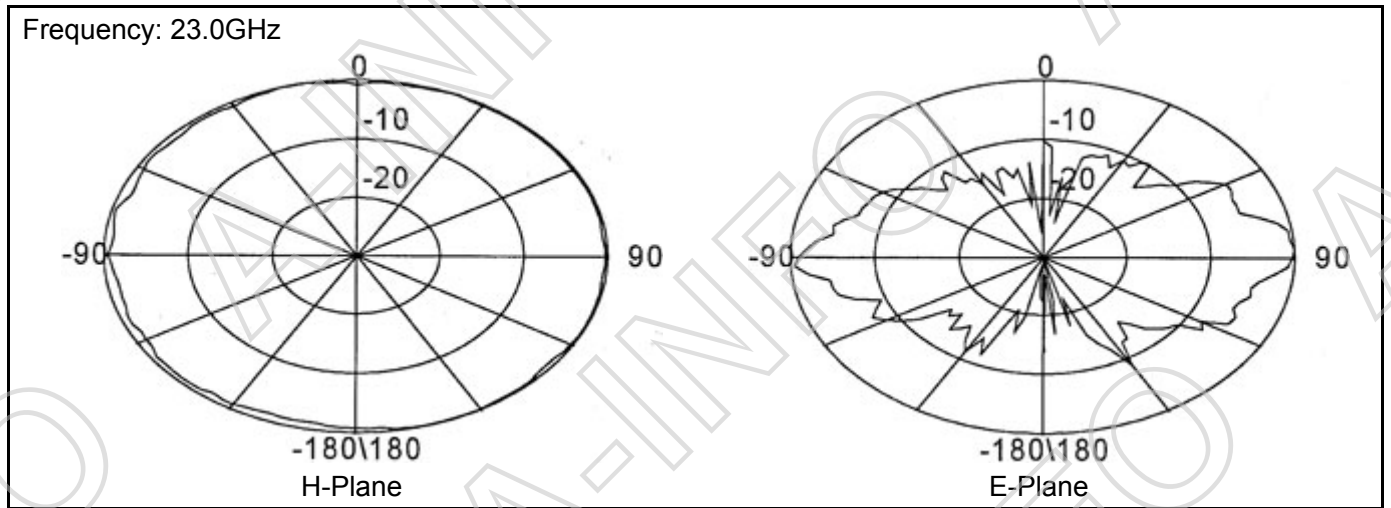


Frequency: 22.0GHz

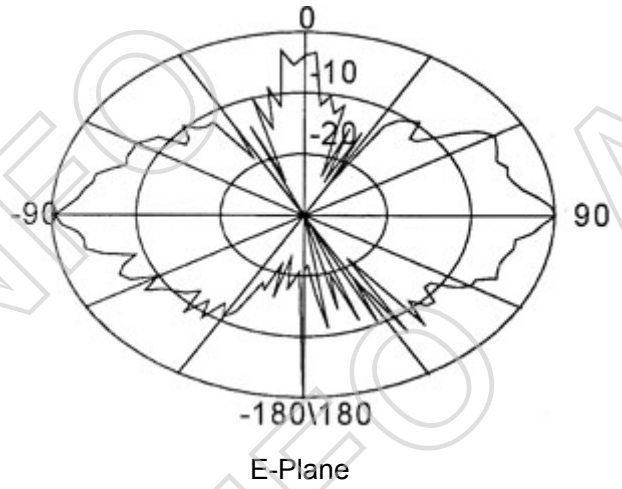
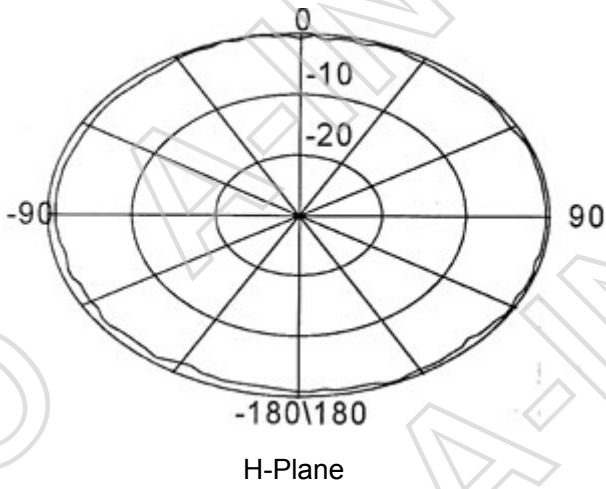


Frequency: 22.5GHz

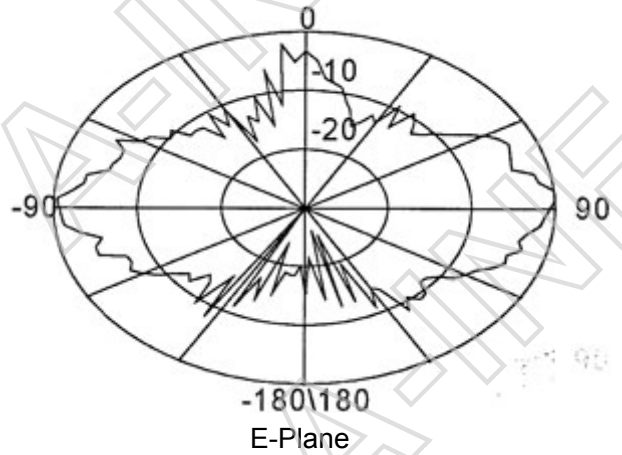
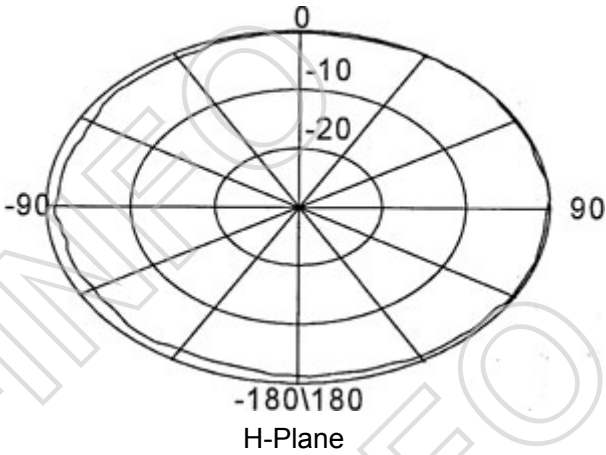




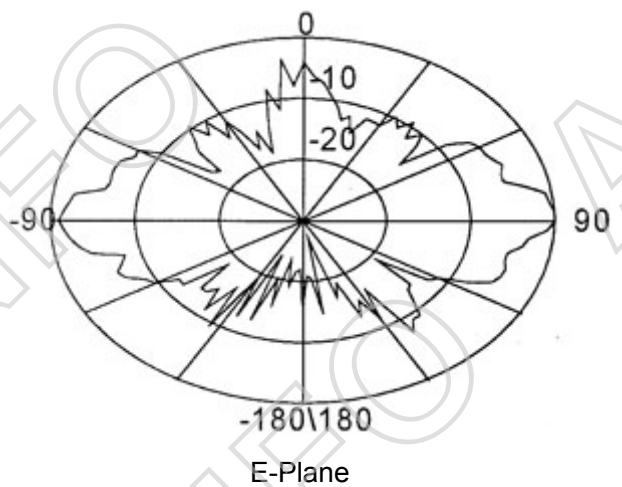
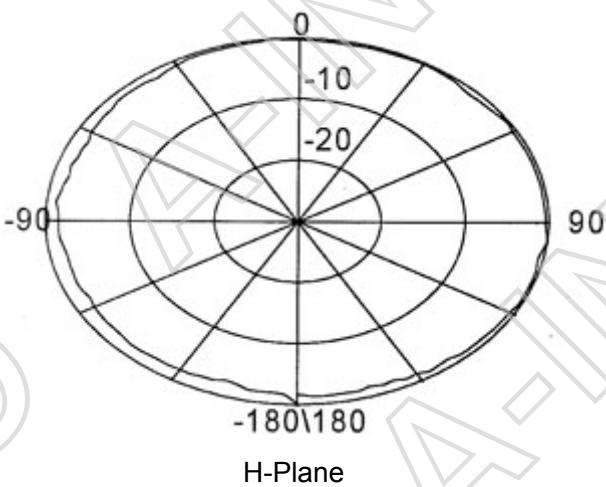
Frequency: 24.5GHz



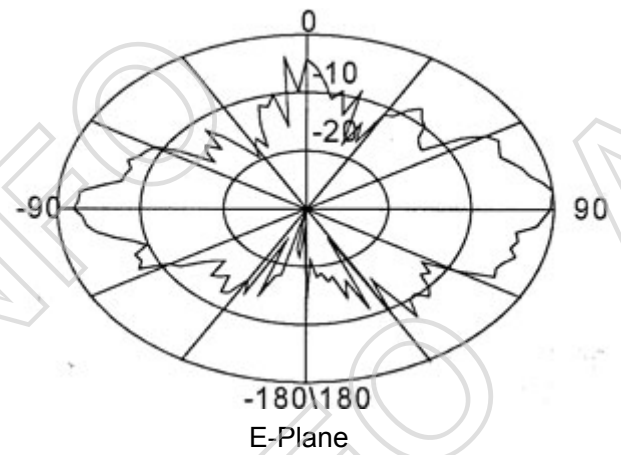
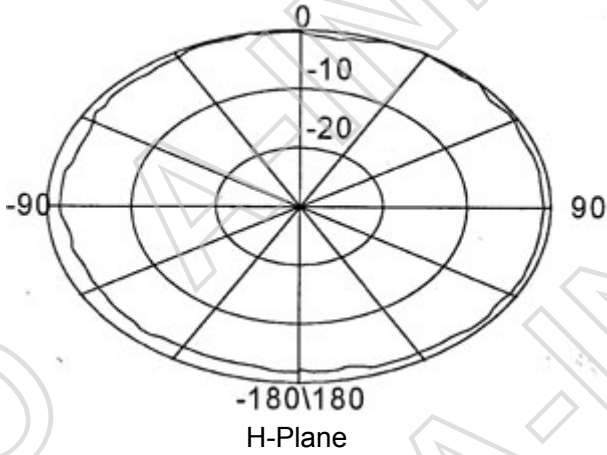
Frequency: 25.0GHz



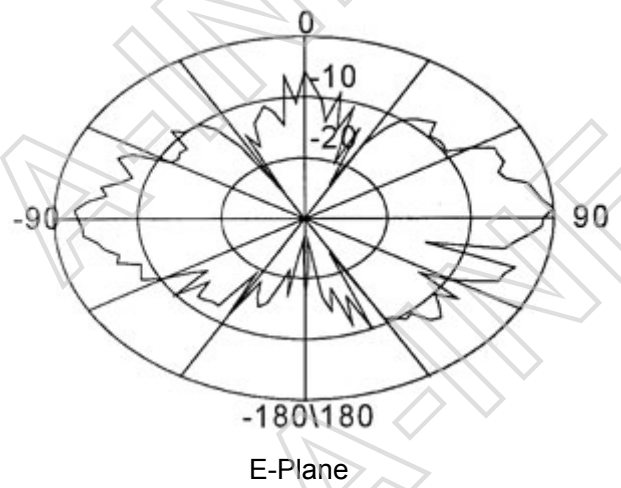
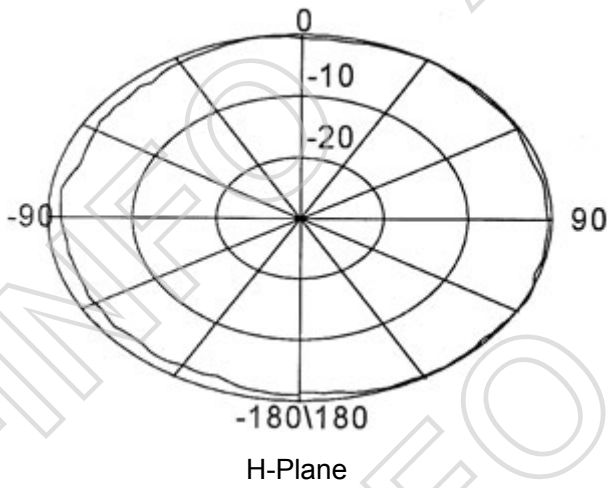
Frequency: 25.5GHz



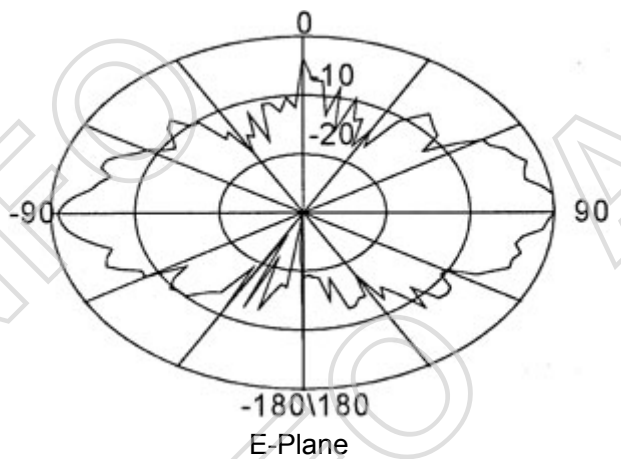
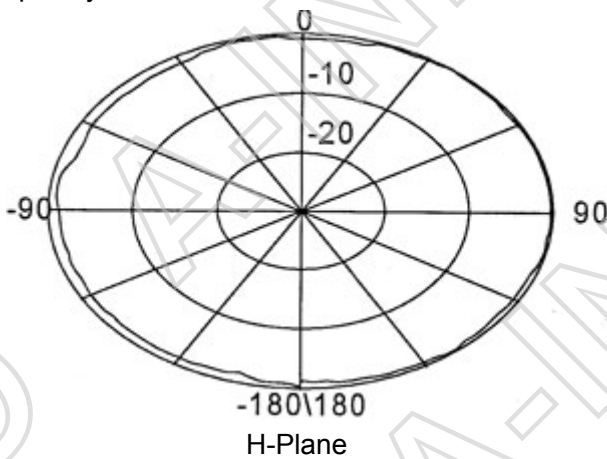
Frequency: 26.0GHz



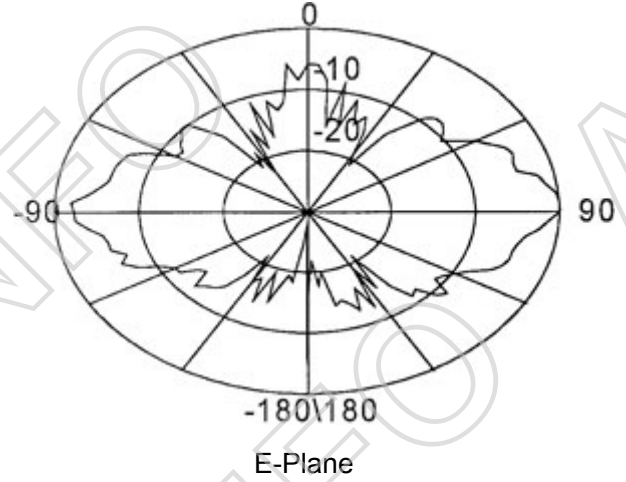
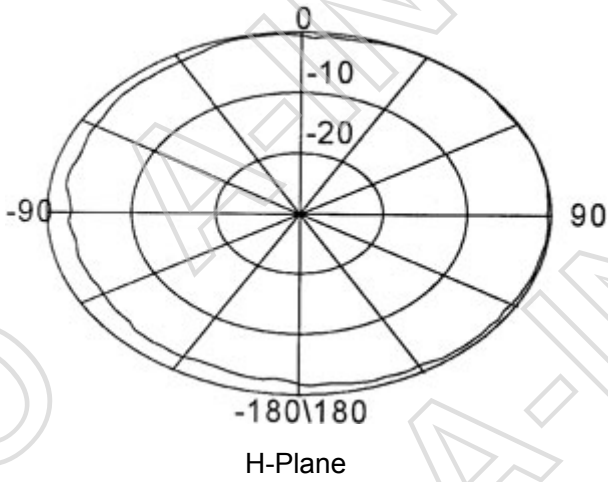
Frequency: 26.5GHz



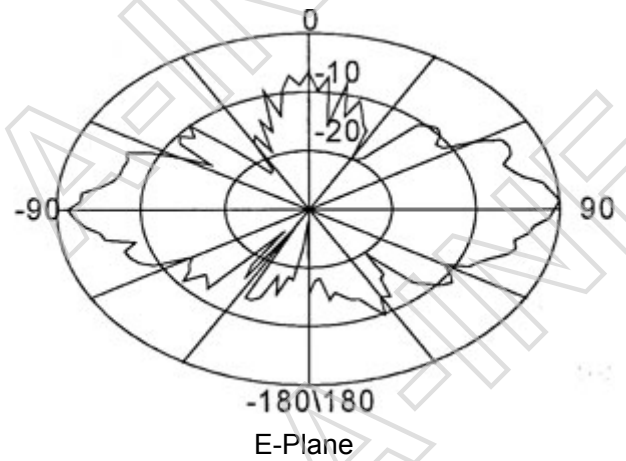
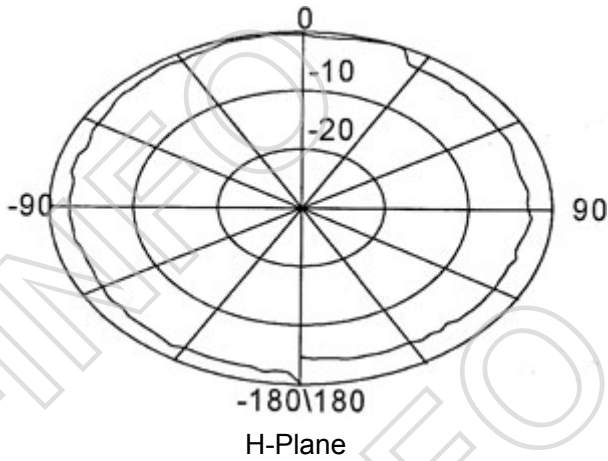
Frequency: 27.0GHz



Frequency: 27.5GHz



Frequency: 28.0GHz



Frequency: 28.5GHz

