

112WPL\_EP WR112 Waveguide Precision Load 7.05-10GHz with Rectangular Waveguide Interface



WR112 Waveguide Precision Load Operating From 7.05 to 10GHz with Rectangular Waveguide Interface

### Product Information

SKU	112WPL_EP
-----	-----------

### Description

Waveguide precision load 112WPL\_EP, operating from 7.05 to 10GHz and low VSWR 1.015:1. 112WPL\_EP covers the 112WPL\_EP sub waveguide band and comes with one flange FEP84(UER84). It can handle 4 continuously and 4 peak power. A-INFO Precision Flange(APF) is available for this series. The WPL series low power waveguide fixed terminations are precision, low VSWR terminations suited to a wide variety of precision laboratory applications. The typical applications include full band one-Interface calibration and full two-Interface, isolation calibration. TRM (Thru-Reflect-Match) and SSLT (Short-Short-Load- Thru) calibration methods are supInterfaceed.

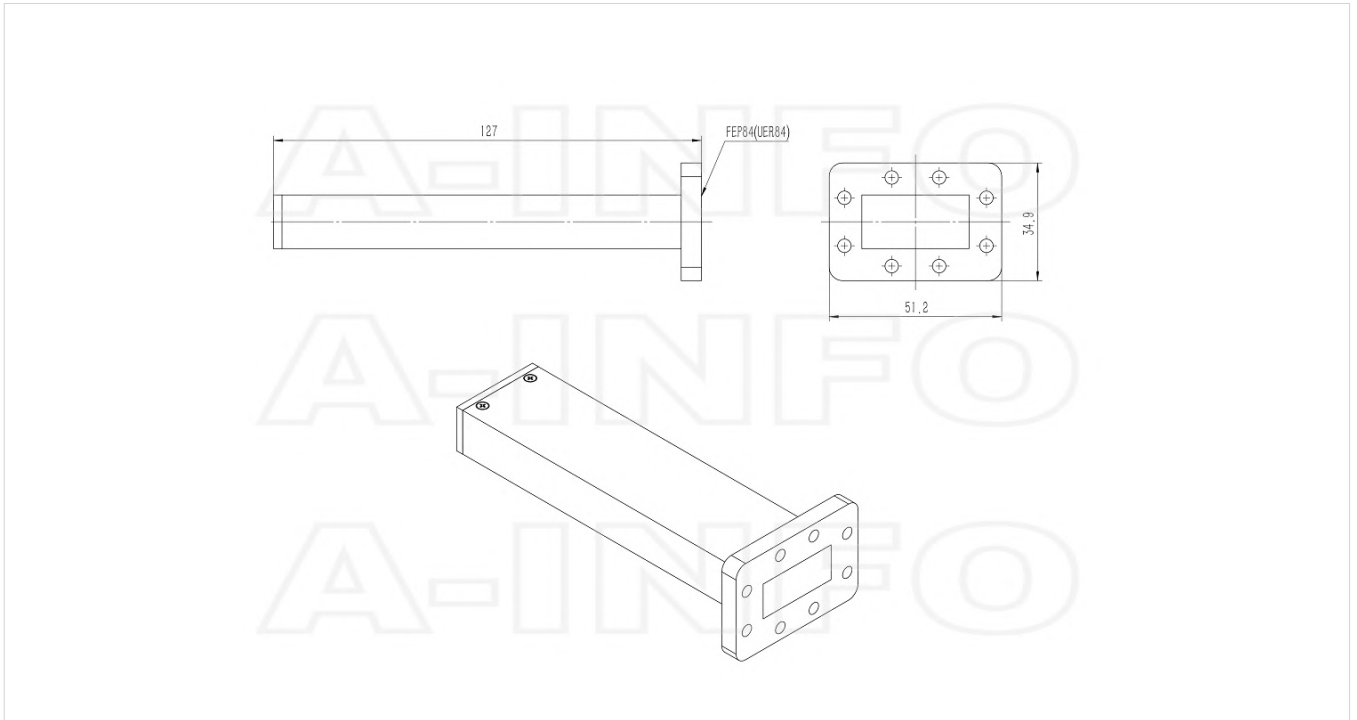
### Technical Specification

Electrical Specification		Mechanical Specification	
WG Load Type	Precision	Body Material	Al
Waveguide Band	C X	Size, L (mm)	127
Waveguide Type	Rectangular	Size, W (mm)	51.2
Waveguide Size EIA WR	WR112	Size, H (mm)	34.9
Frequency, Min (GHz)	7.05	Weight, (kg)	0.1
Frequency, Max (GHz)	10	Pressure Sealed	No
VSWR, Typ	1.01:1	Environmental Specification	
VSWR, Max	1.015:1	Operating Temp. Low (°C)	-55
Power Handling, CW, (W)	4	Operating Temp. High (°C)	85
Power Handling, Peak, (KW)	4	Storage Temp. Low (°C)	-60
		Storage Temp. High (°C)	90
Interface			
Flange Style	Rectangular		
Flange Type	Cover		
Flange Designation	FEP84(UER84)		

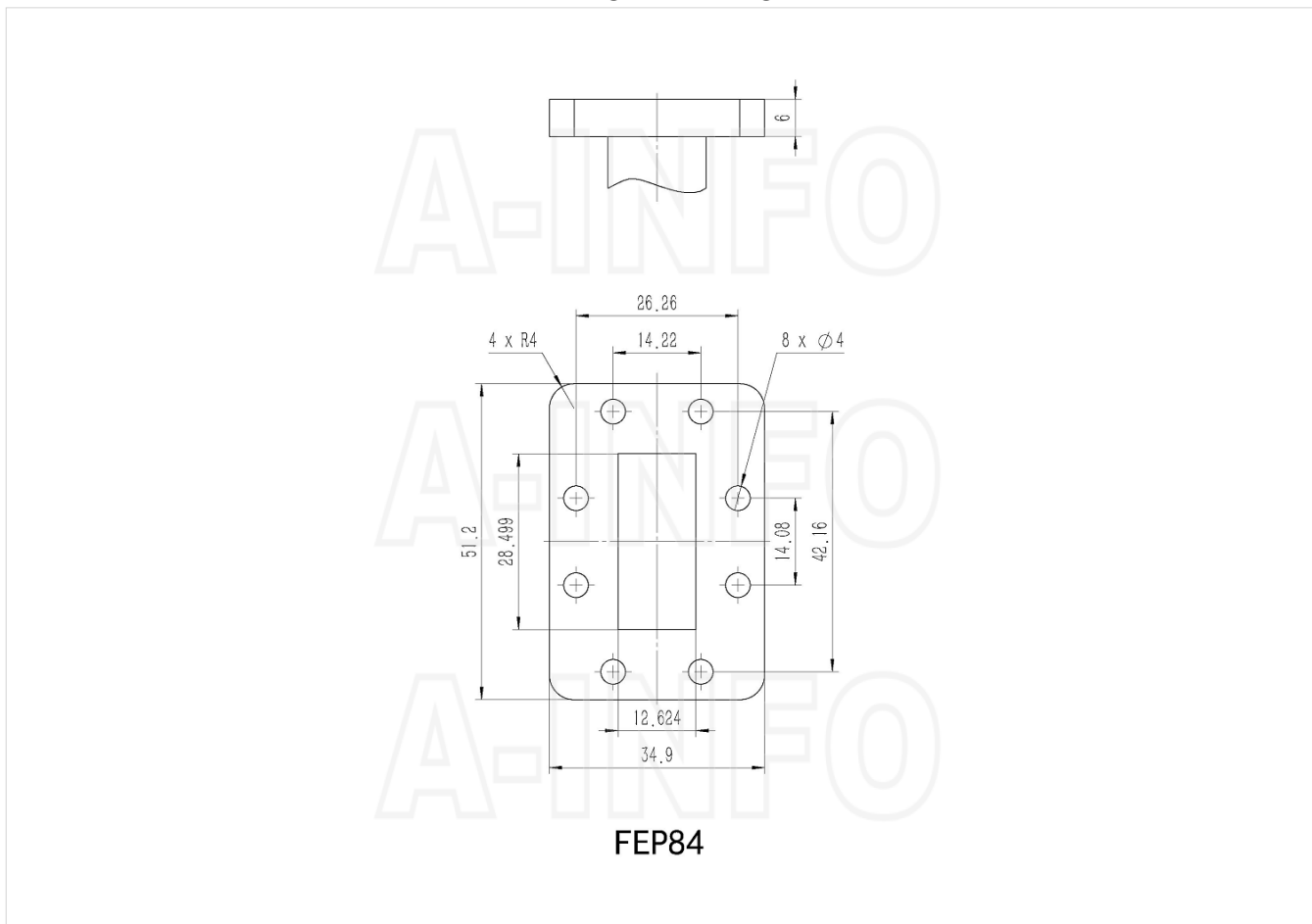
## Additional Information

Application	General Purpose Indoor & Outdoor, Fixed
-------------	---

## Outline Drawing

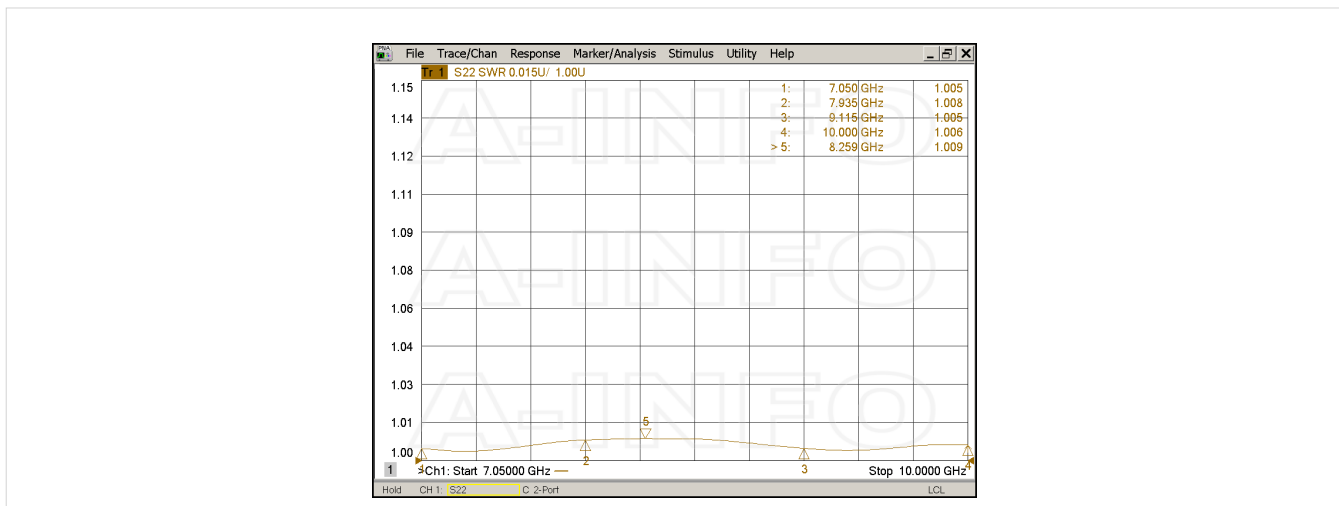


## Flange Drawing



## Typical Test Results

### VSWR



### About this Datasheet

<ul style="list-style-type: none"><li>● <b>Product Information</b></li></ul> <p>Product Link: <a href="https://www.ainfoinc.com/112wpl-ep-wr112-waveguide-precision-load-7-05-10-ghz-fep84-uer84">https://www.ainfoinc.com/112wpl-ep-wr112-waveguide-precision-load-7-05-10-ghz-fep84-uer84</a> Data subject to change without notice. © A-INFO INC. 2024. All Rights Reserved</p>	<ul style="list-style-type: none"><li>● <b>Contact Us</b></li></ul> <p>Address: 60 Tesla, Irvine, CA 92618, USA</p> <p>Website: <a href="http://www.ainfoinc.com">www.ainfoinc.com</a></p> <p>Email: <a href="mailto:sales@ainfoinc.com">sales@ainfoinc.com</a></p>	<ul style="list-style-type: none"><li>● <b>Phone &amp; Fax</b></li></ul> <p>Phone: +1-949-639-9688 +1-949-639-9608</p> <p>Fax: +1-949-639-9670</p>
--	---	--