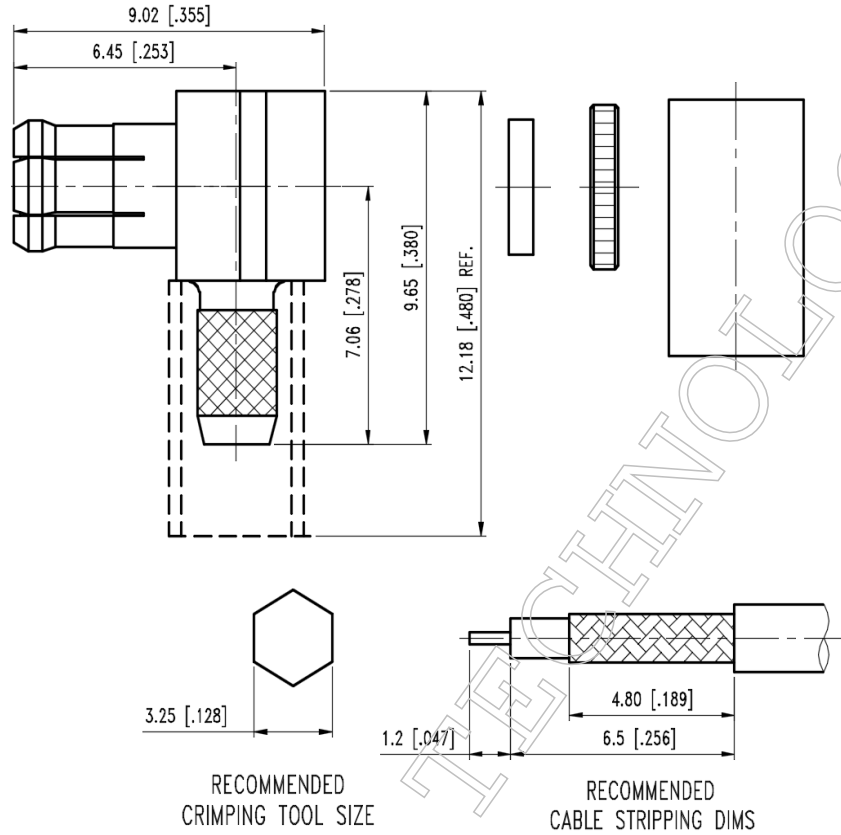


▪ **Outline Dimension Drawing**

Dimensions: mm[inch]



▪ **Material Specification**

Description	Material	Plating
Body	Brass	Gold
Body	BeCu	Gold
Pin	Brass	Gold
Dielectric*2	PTFE	
Cap	Brass	Gold
Ferrule	Brass	Gold

In the effort to improve our products, we reserve the right to make changes judged to be necessary



▪ **Electrical Specification**

Description			Description		
Impedance	50	Ω	Insulation Resistance	1000	M Ω Min.
Frequency	6	GHz	Inner Contact Resistance	5	m Ω Max.
VSWR	1.25	Max.	Outer Contact Resistance	2.5	m Ω Max.
Insertion Loss	0.15	dB Max.			
Voltage Rating	335	Vrms Max.			
Dielectric Withstanding Voltage	750	Vrms Max.			

▪ **Mechanical Specification**

Description			Description		
Center Contact Retention	2.3	lbs. Min.			
Engagement Force	5.6	lbs. Max.			
Disengagement Force	4.5	lbs. Max.			
Connector Durability	500	matings min.			
Weight	N/A	g			

▪ **Environmental Specification**

Description		
Temperature Min.	-55	$^{\circ}$ C
Temperature Max.	155	$^{\circ}$ C
Hermetic Seal	N/A	

In the effort to improve our products, we reserve the right to make changes judged to be necessary