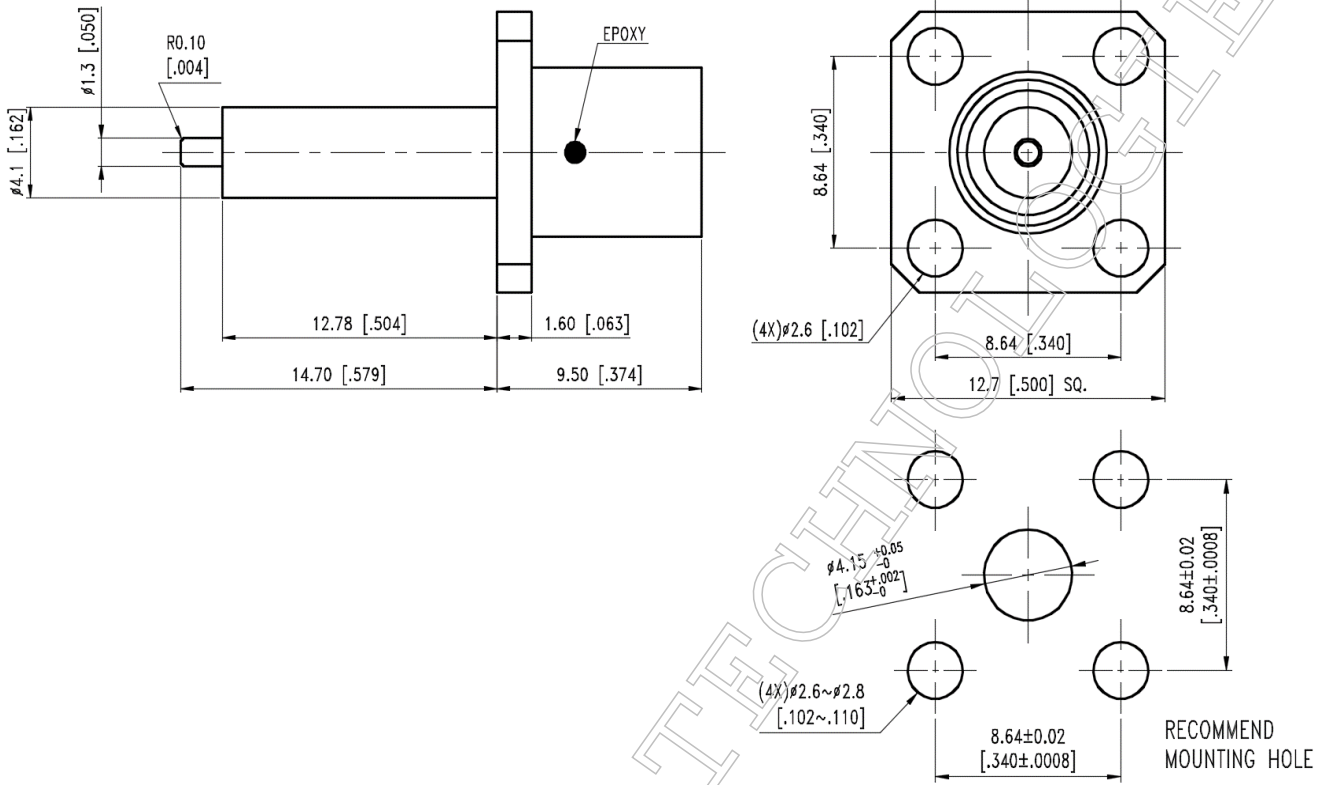


▪ **Outline Dimension Drawing**

Dimensions: mm[inch]



▪ **Material Specification**

Description	Material	Plating
Body	Stainless steel	Passivate
Contact	BeCu	Gold
Contact hood	Brass	Gold
Dielectric	PTFE	
Spring fingers	BeCu	Gold

In the effort to improve our products, we reserve the right to make changes judged to be necessary



▪ **Electrical Specification**

Description			Description		
Impedance	50	Ω			
Frequency	18	GHz	Insulation Resistance	5000	MΩ Min.
VSWR	1.3	Max.	Inner Contact Resistance	6	mΩ Max.
Insertion Loss	0.25	dB Max.	Outer Contact Resistance	2	mΩ Max.
Voltage Rating	375	Vrms Max.			
Dielectric Withstanding Voltage	1500	Vrms Max.			

▪ **Mechanical Specification**

Description		
Center Contact Retention	6	lbs. Min.
Engagement Force	3	lbs. Max.
Disengagement Force	1.5	lbs. Max.
Connector Durability	500	matings min.
Weight	N/A	g

▪ **Environmental Specification**

Description		
Temperature Min.	-65	°C
Temperature Max.	125	°C
Hermetic Seal	N/A	

In the effort to improve our products, we reserve the right to make changes judged to be necessary