



34WET\_Cu WR34 Waveguide E-Plane Tee 22-33GHz with Three Rectangular Waveguide Interfaces

WR34 Waveguide E-Plane Tee Operating From 22 to 33GHz with Three Rectangular Waveguide Interfaces

### Product Information

SKU	34WET_Cu
-----	----------

### Description

Waveguide E-plane tee 34WET\_Cu, operating from 22 to 33GHz with a 0.4dB insertion loss and low VSWR 1.50:1. 34WET\_Cu is a three-ports waveguide connector. All the ports have standard WR34 waveguides with the same flanges FBP260(UBR260). The waveguide E-plane tees are used to separate the signal at E plane rectangular port into the collinear arm with the two rectangular waveguide ports or synthesize the signal from the two ports of the collinear arm into the E plane port.

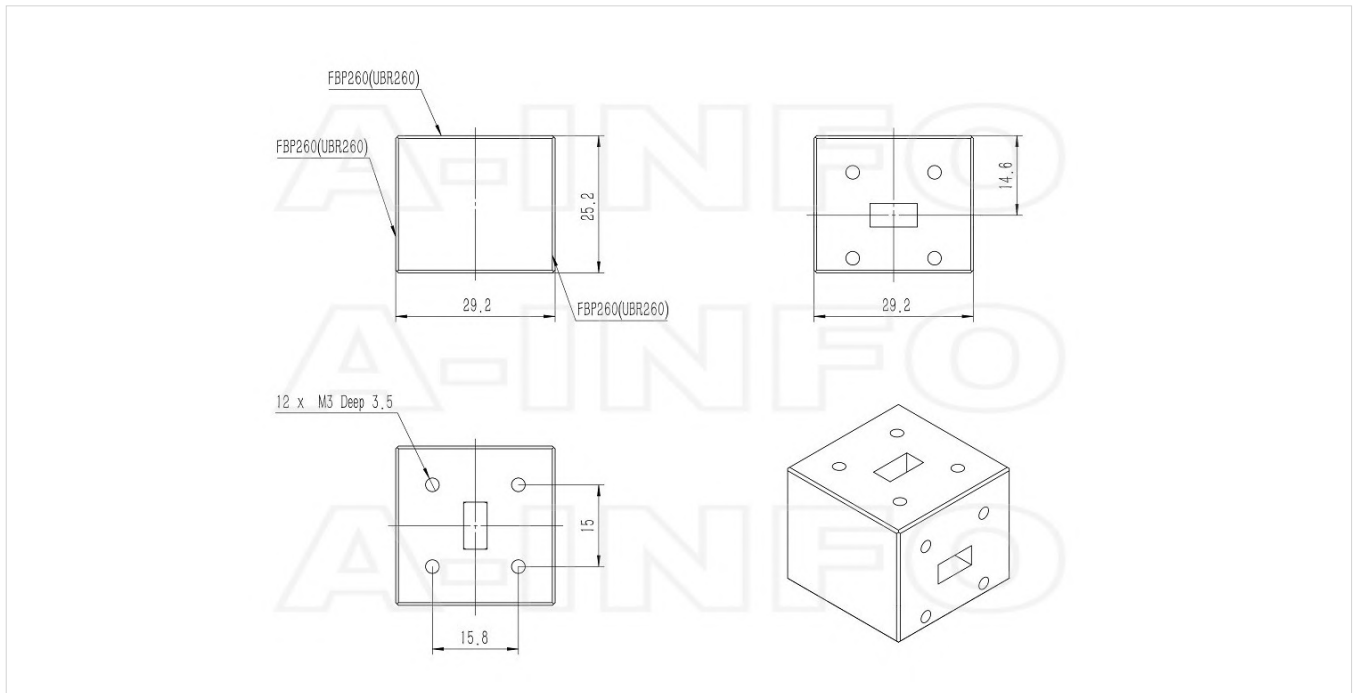
### Technical Specification

<b>Electrical Specification</b>		<b>Interface</b>	
WG Tee Type	E-Plane Tee	Flange 3 Style	Square
Waveguide Band	K Ka	Flange 3 Type	Cover
Waveguide Type	Rectangular	Flange 3 Designation	FBP260(UBR260)
Waveguide Size EIA WR	WR34	<b>Mechanical Specification</b>	
Frequency, Min (GHz)	22	Body Material	Cu
Frequency, Max (GHz)	33	Finish	Gold Plated
I.L., Max (dB)	0.4	Size, L (mm)	29.2
VSWR, Typ	1.50:1	Size, W (mm)	29.2
Amplitude Balance, Max (±dB)	0.3	Size, H (mm)	25.2
Phase Balance, Max (Deg.)	5	Weight, (kg)	0.15
Power Handling, CW, (W)	56	Pressure Sealed	No
Power Handling, Peak, (KW)	35	<b>Environmental Specification</b>	
<b>Interface</b>		Operating Temp. Low (°C)	-55
Flange 1 Style	Square	Operating Temp. High (°C)	85
Flange 1 Type	Cover	Storage Temp. Low (°C)	-60
Flange 1 Designation	FBP260(UBR260)	Storage Temp. High (°C)	90
Flange 2 Style	Square		
Flange 2 Type	Cover		
Flange 2 Designation	FBP260(UBR260)		

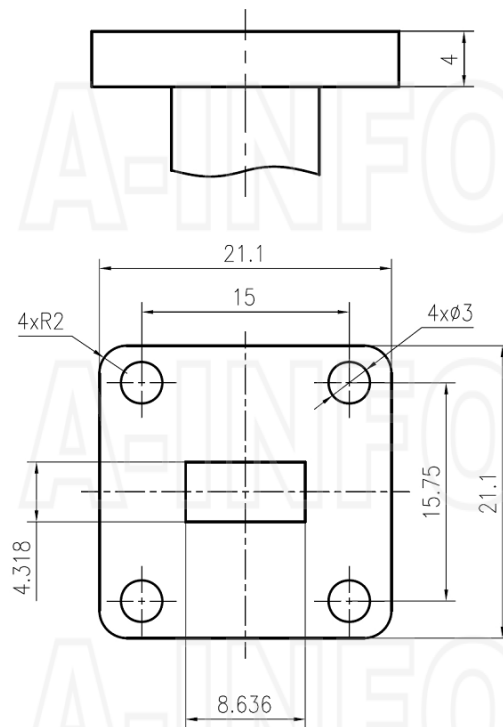
### Additional Information

Application	General Purpose Indoor & Outdoor, Fixed
-------------	---

## Outline Drawing(Size: mm)



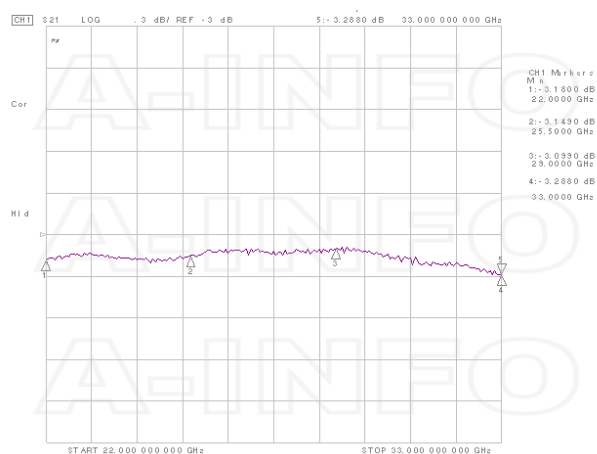
Flange Drawing(Size: mm)



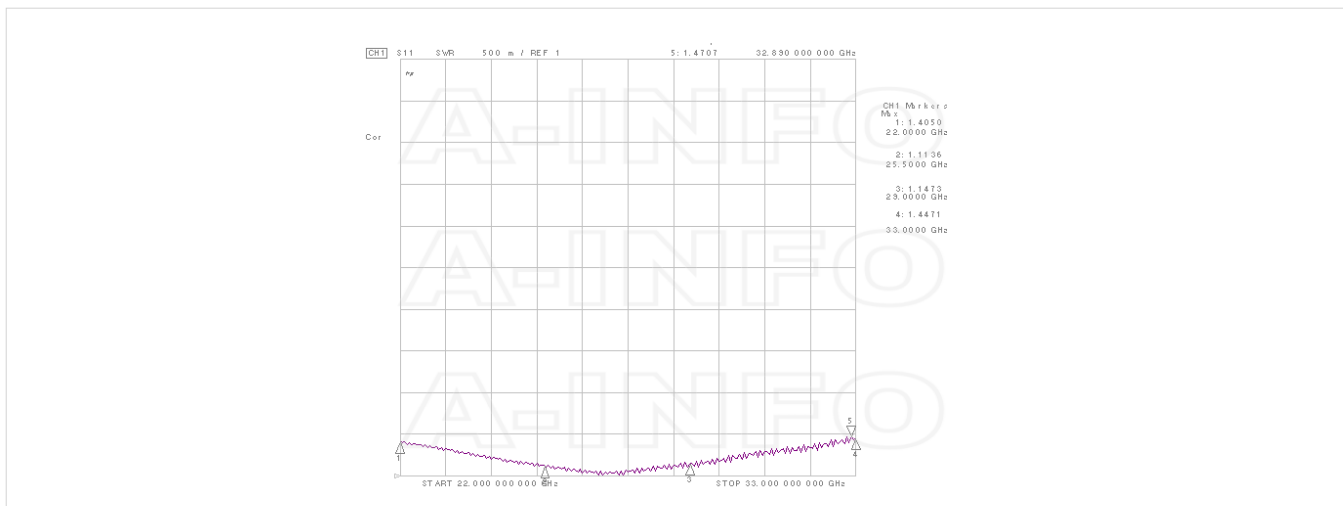
FBP260

Typical Test Results

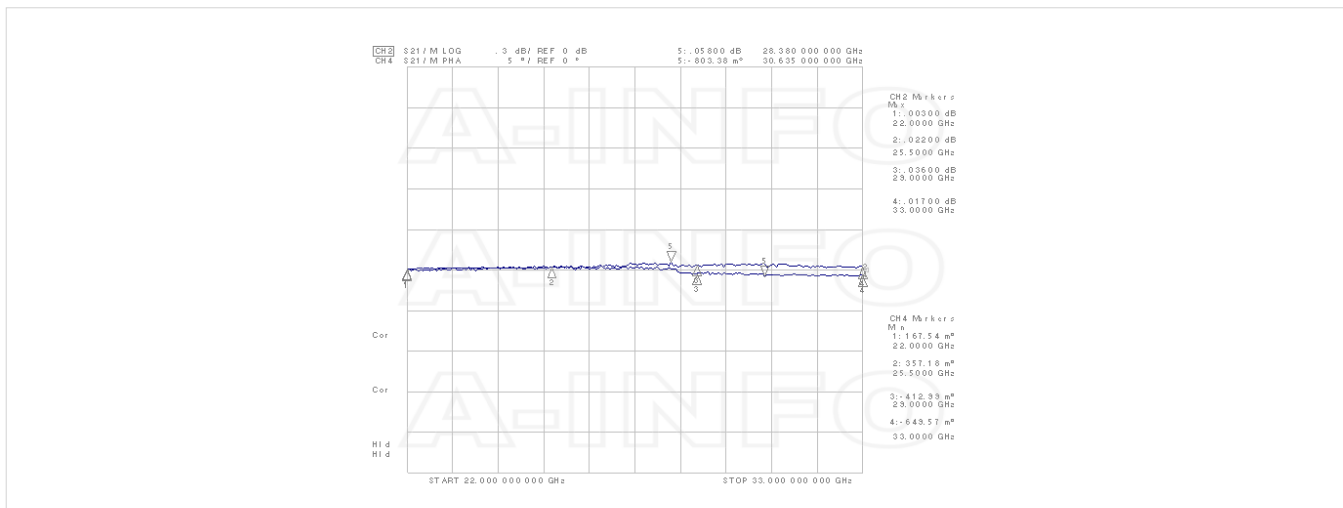
Insertion Loss(Including the theoretical loss 3.0dB)



### VSWR



### Amplitude Balance & Phase Balance



### Similar Products



34WHT\_Cu WR34 Waveguide H-Plane Tee 22-33GHz with Three Rectangular Waveguide Interfaces



34WMT\_Cu WR34 Waveguide Magic Tee 22-33GHz with Four Rectangular Waveguide Interfaces



42WET\_Cu WR42 Waveguide E-Plane Tee 18-26.5GHz with Three Rectangular Waveguide Interfaces



42WHT\_Cu WR42 Waveguide H-Plane Tee 18-26.5GHz with Three Rectangular Waveguide Interfaces



42WMT\_Cu WR42 Waveguide Magic Tee 18-26.5GHz with Four Rectangular Waveguide Interfaces



28WET\_Cu WR28 Waveguide E-Plane Tee 26.5-40GHz with Three Rectangular Waveguide Interfaces



28WHT\_Cu WR28 Waveguide H-Plane Tee 26.5-40GHz with Three Rectangular Waveguide Interfaces



28WMT\_Cu WR28 Waveguide Magic Tee 26.5-40GHz with Four Rectangular Waveguide Interfaces

## About this Datasheet

<ul style="list-style-type: none"> <li>• <b>Product Information</b> Product Link: <a href="https://www.ainfoinc.com/34wet-cu-wr34-waveguide-e-plane-tee-22-33-ghz-fbp260-ubr260">https://www.ainfoinc.com/34wet-cu-wr34-waveguide-e-plane-tee-22-33-ghz-fbp260-ubr260</a> Data subject to change without notice. © A-INFO INC. 2024. All Rights Reserved</li> </ul>	<ul style="list-style-type: none"> <li>• <b>Contact Us</b> Address: 60 Tesla, Irvine, CA 92618, USA Website: <a href="http://www.ainfoinc.com">www.ainfoinc.com</a> Email: <a href="mailto:sales@ainfoinc.com">sales@ainfoinc.com</a></li> </ul>	<ul style="list-style-type: none"> <li>• <b>Phone &amp; Fax</b> Phone: +1-949-639-9688 +1-949-639-9608 Fax: +1-949-639-9670</li> </ul>
---	--	--