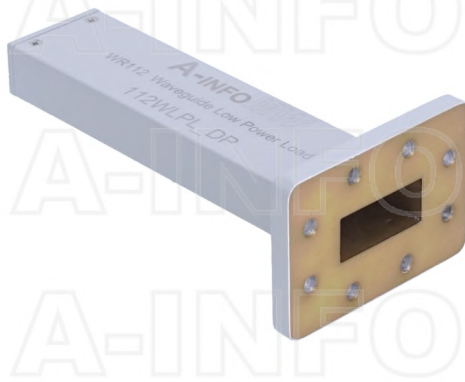


112WLPL_DP WR112 Waveguide Low Power Load 7.05-10GHz with Rectangular Waveguide Interface



WR112 Waveguide Low Power Load Operating From 7.05 to 10GHz with Rectangular Waveguide Interface

Product Information

| | |
|-----|------------|
| SKU | 112WLPL_DP |
|-----|------------|

Description

Waveguide low power load 112WLPL_DP, operating from 7.05 to 10GHz and low VSWR 1.03:1 112WLPL_DP covers the WR112 sub waveguide band and comes with one flange FDP84(UDR84). It can handle 4W continuously and 4KW peak power. The WLPL series are for general version, low VSWR terminations for system application. The typical applications include system or test bench set-ups and small moderate power dummy loads.

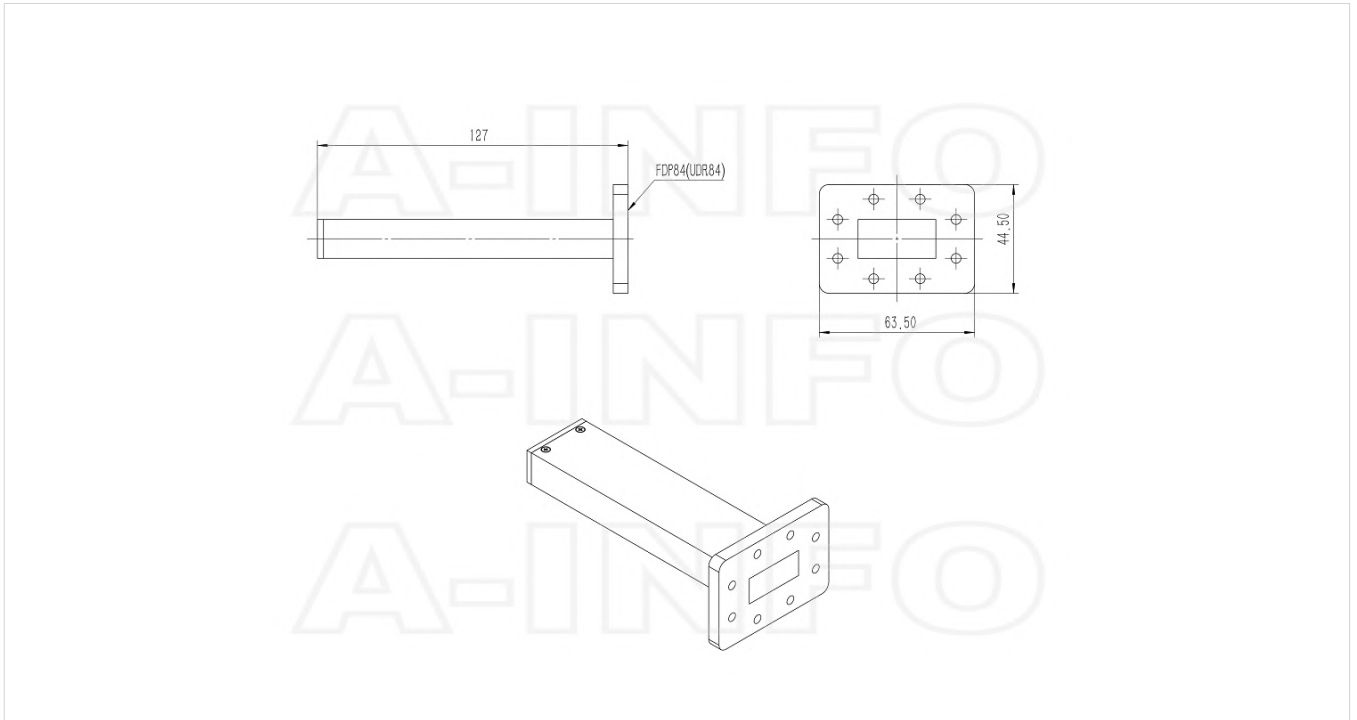
Technical Specification

| Electrical Specification | | Mechanical Specification | |
|----------------------------|--------------|------------------------------------|--|
| WG Load Type | Low Power | Body Material | Al |
| Waveguide Band | C X | Finish | Chemical Conversion Coating, Gray Paint |
| Waveguide Type | Rectangular | Size, L (mm) | 127 |
| Waveguide Size EIA WR | WR112 | Size, W (mm) | 63.5 |
| Frequency, Min (GHz) | 7.05 | Size, H (mm) | 44.5 |
| Frequency, Max (GHz) | 10 | Weight, (kg) | 0.15 |
| VSWR, Typ | 1.025:1 | Pressure Sealed | No |
| VSWR, Max | 1.03:1 | Environmental Specification | |
| Power Handling, CW, (W) | 4 | Operating Temp. Low (°C) | -55 |
| Power Handling, Peak, (KW) | 4 | Operating Temp. High (°C) | 85 |
| Interface | | Storage Temp. Low (°C) | -60 |
| Flange Style | Rectangular | Storage Temp. High (°C) | 90 |
| Flange Type | Cover | | |
| Flange Designation | FDP84(UDR84) | | |

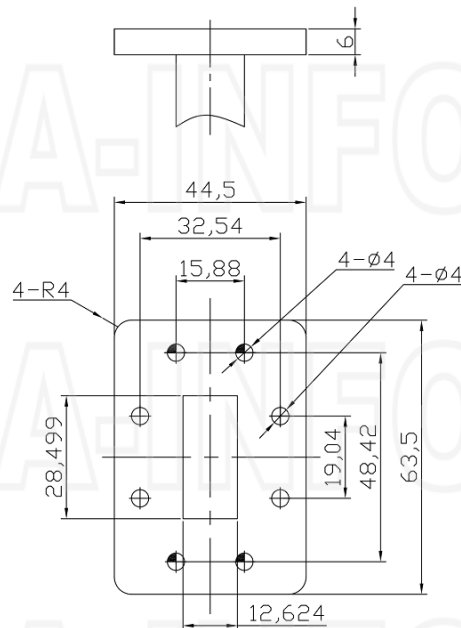
Additional Information

| | |
|-------------|---|
| Application | General Purpose Indoor & Outdoor, Fixed |
|-------------|---|

Outline Drawing



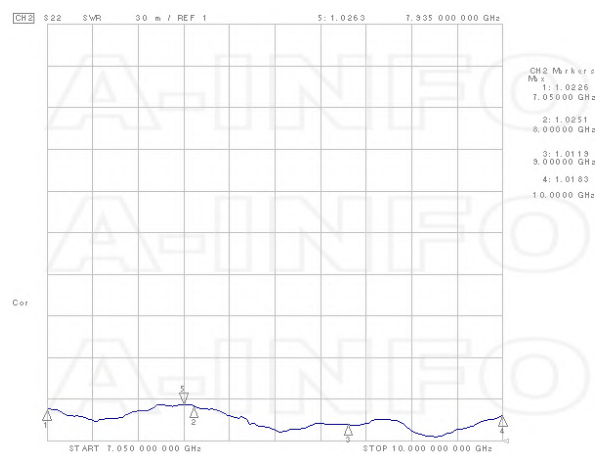
Flange Drawing



FDP84

Typical Test Results

VSWR



About this Datasheet

| | | |
|---|--|---|
| <ul style="list-style-type: none">● Product Information Product Link: https://www.ainfoinc.com/112wlp-dp-wr112-waveguide-low-power-load-7-05-10-ghz-fdp84-udr84 Data subject to change without notice. © A-INFO INC. 2024. All Rights Reserved | <ul style="list-style-type: none">● Contact Us Address: 60 Tesla, Irvine, CA 92618, USA Website: www.ainfoinc.com Email: sales@ainfoinc.com | <ul style="list-style-type: none">● Phone & Fax Phone: +1-949-639-9688 +1-949-639-9608 Fax: +1-949-639-9670 |
|---|--|---|