

The MC2 Series features SMA or K connectors with or without internal termination and an operation frequency range of DC to 40 GHz. This series is available with failsafe, latching self-cutoff or pulse latching, TTL, and coil suppression options.

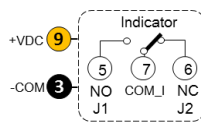
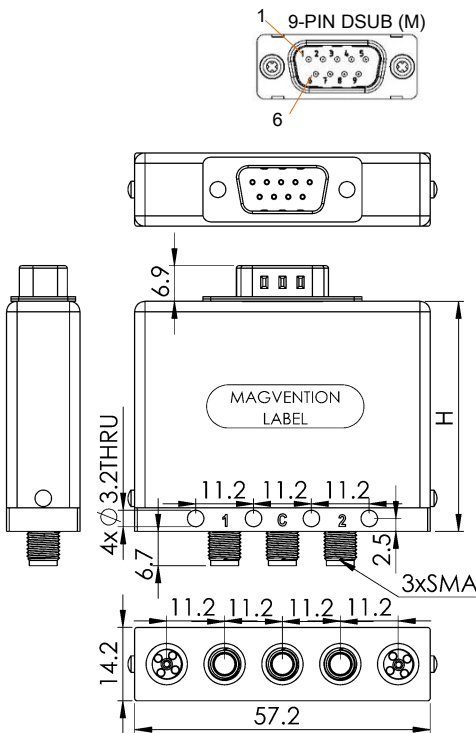


Specifications	
Contact Material	Plated Au
Switching Sequence	Break before Make
Switching Time (max)	15msec
Impedance	50Ω
Temperature Range	-25°C to +65°C (Standard) -55°C to +85°C ("e" option)
Relative Humidity	5 to 85%
Operation Life (cycles)	1,000,000 (Standard)
Vibration (operating)	10G RMS, 20-2000Hz
Mechanical Shock (non-operating)	50G, 1/2 Sine, 11msec
Weight (approx.)	88g

Voltage (VDC)	12	18	24	28
Current (mA)				
Latching	400	240	180	230

Other options are available upon request.

Standard			
Frequency Range (GHz)	VSWR (max)	Insertion Loss (dB) (max)	Isolation (dB) (min)
DC-6	1.20	0.20	70
6-12	1.30	0.25	70
12-18	1.40	0.40	60
18-26.5	1.70	0.70	55
26.5-32	1.90	0.80	50
32-40	2.00	1.00	50



### Optional Indicator Specifications

Max withstand voltage: 60V  
Max current capacity: 100mA  
Max "ON" resistance: 16Ω

Note: +VDC and -C must be connected to operate.

### Solder Pins or DSUB 9

Pin No.	PINOUT
1	A1/V1 (J1-COM)
2	A2/V2 (J2-COM)
3	COM-
4	UNUSED
5	1 (IND.)
6	2 (IND.)
7	COM.1 (IND.)
8	UNUSED
9	+VDC/+VDCI

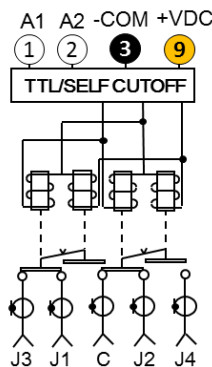


Fig. 5

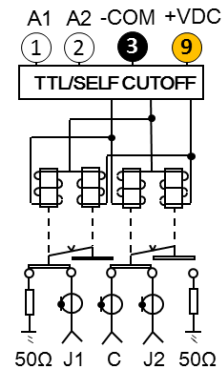


Fig. 6

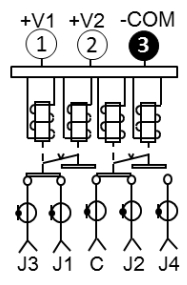


Fig. 7

H = 47 mm (max)  
H = 53 mm (max) for options with  
TTL and/or self cutoff  
H = 60 mm (max) with Indicators

Mechanical drawings (unit: mm, tolerance +/-0.5mm).