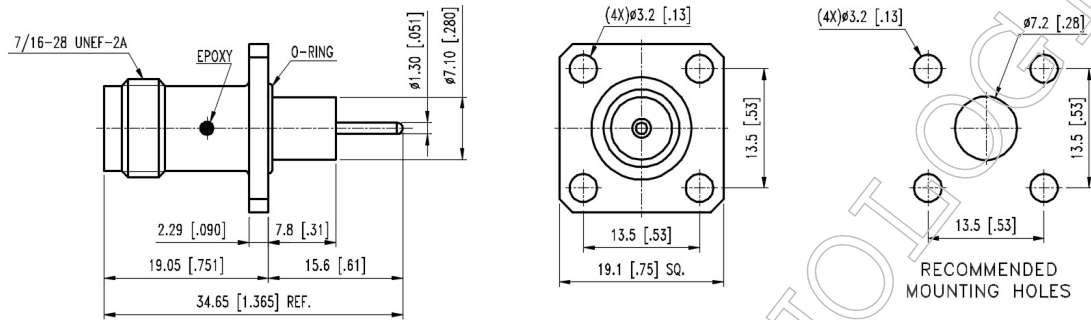


▪ **Outline Dimension Drawing**

Dimensions: mm[inch]



▪ **Material Specification**

Description	Material	Plating
Body	Stainless Steel	Passivate
Contact	BeCu	Gold
Dielectric	PTFE	
O-ring	S.I.R	N/A

In the effort to improve our products, we reserve the right to make changes judged to be necessary



▪ **Electrical Specification**

Description		Description	
Impedance	50 $\Omega$	Insulation Resistance	5000 M $\Omega$ Min.
Frequency	11 GHz	Inner Contact Resistance	3.0 m $\Omega$ Max.
VSWR	1.3 Max.	Outer Contact Resistance	2.0 m $\Omega$ Max.
Insertion Loss	0.55 dB Max.		
Voltage Rating	500 Vrms Max.		
Dielectric Withstanding Voltage	1500 Vrms Max.		

▪ **Mechanical Specification**

Description		Description	
Center Contact		Recommended Torque	10~12 in. lbs
Axial Force-Mating End	6 lbs.	Coupling Nut Retention	N/A lbs. Min.
Axial Force-Opposite End	6 lbs.		
Connector Durability	500 cycles		
Weight	N/A g		

▪ **Environmental Specification**

Description		Description	
Temperature Min.	-65 $^{\circ}$ C		
Temperature Max.	165 $^{\circ}$ C		
Hermetic Seal	N/A		

In the effort to improve our products, we reserve the right to make changes judged to be necessary