

137WPL_Cu_P0 WR137 Waveguide Precision Load 5.85-8.2GHz with Rectangular Waveguide Interface



WR137 Waveguide Precision Load Operating From 5.85 to 8.2GHz with Rectangular Waveguide Interface

Product Information

| | |
|-----|--------------|
| SKU | 137WPL_Cu_P0 |
|-----|--------------|

Description

Waveguide precision load 137WPL_Cu_P0, operating from 5.85 to 8.2GHz and low VSWR 1.02:1. 137WPL_Cu_P0 covers the 137WPL_Cu_P0 full waveguide band and comes with one flange APF137. It can handle 6 continuously and 6 peak power. A-INFO Precision Flange(APF) is available for this series. The WPL series low power waveguide fixed terminations are precision, low VSWR terminations suited to a wide variety of precision laboratory applications. The typical applications include full band one-Interface calibration and full two-Interface, isolation calibration. TRM (Thru-Reflect-Match) and SSLT (Short-Short-Load- Thru) calibration methods are supInterfaceed.

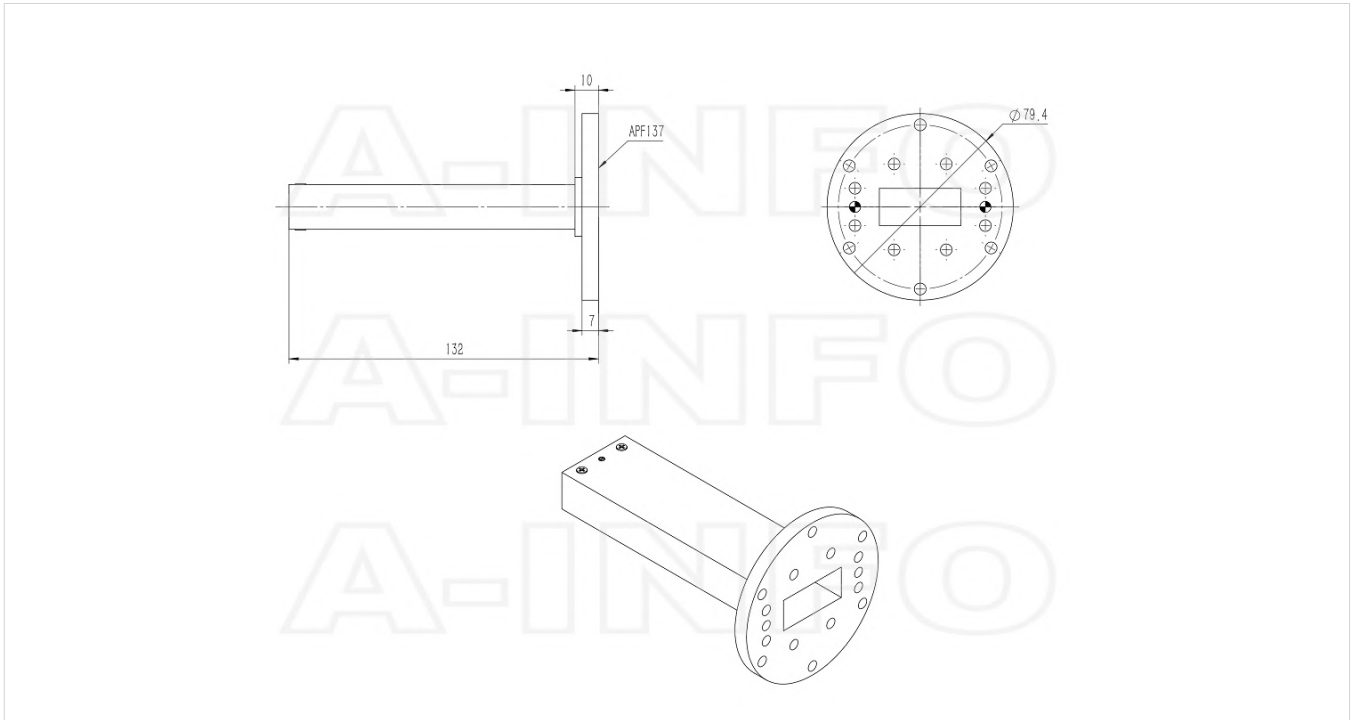
Technical Specification

| Electrical Specification | | Mechanical Specification | |
|----------------------------|-------------|-----------------------------|------|
| WG Load Type | Precision | Body Material | Cu |
| Waveguide Band | C X | Size, L (mm) | 132 |
| Waveguide Type | Rectangular | Size, W (mm) | 79.4 |
| Waveguide Size EIA WR | WR137 | Size, H (mm) | 79.4 |
| Frequency, Min (GHz) | 5.85 | Weight, (kg) | 0.49 |
| Frequency, Max (GHz) | 8.2 | Pressure Sealed | No |
| VSWR, Typ | 1.015:1 | Environmental Specification | |
| VSWR, Max | 1.02:1 | Operating Temp. Low (°C) | -55 |
| Power Handling, CW, (W) | 6 | Operating Temp. High (°C) | 85 |
| Power Handling, Peak, (KW) | 6 | Storage Temp. Low (°C) | -60 |
| Interface | | Storage Temp. High (°C) | 90 |
| Flange Style | Round | | |
| Flange Type | Cover | | |
| Flange Designation | APF137 | | |

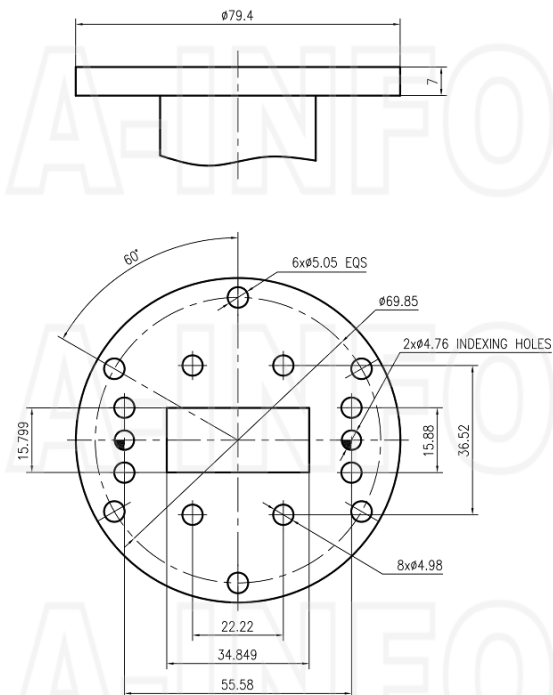
Additional Information

| | |
|-------------|-----------------------------------------|
| Application | General Purpose Indoor & Outdoor, Fixed |
|-------------|-----------------------------------------|

Outline Drawing



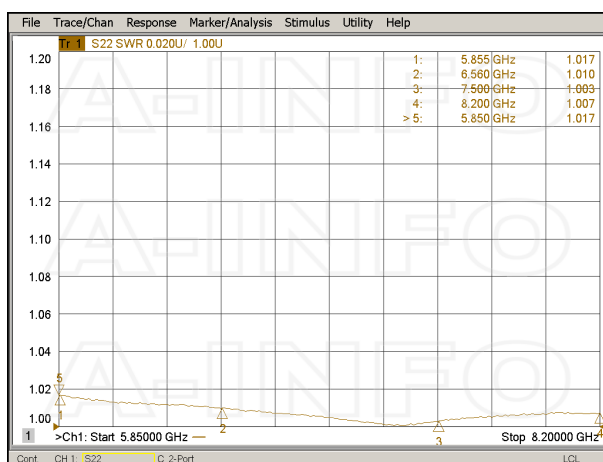
Flange Drawing



APF137

Typical Test Results

VSWR



About this Datasheet

| | | |
|----------------------------------------------------------------------------------------------------------------------------------------------------------------------------------------------------------------------------------------------------------------------------------------------------------------------------------------------------------------------------------------------|-------------------------------------------------------------------------------------------------------------------------------------------------------------------------------------------------------------------------------------------------------------------------------------|----------------------------------------------------------------------------------------------------------------------------------------------------------------|
| <ul style="list-style-type: none">● Product Information <p>Product Link: https://www.ainfoinc.com/137wpl-cu-p0-wr137-waveguide-precision-load-5-85-8-2-ghz-apf137 Data subject to change without notice. © A-INFO INC. 2024. All Rights Reserved</p> | <ul style="list-style-type: none">● Contact Us <p>Address: 60 Tesla, Irvine, CA 92618, USA</p> <p>Website: www.ainfoinc.com</p> <p>Email: sales@ainfoinc.com</p> | <ul style="list-style-type: none">● Phone & Fax <p>Phone: +1-949-639-9688 +1-949-639-9608</p> <p>Fax: +1-949-639-9670</p> |
|----------------------------------------------------------------------------------------------------------------------------------------------------------------------------------------------------------------------------------------------------------------------------------------------------------------------------------------------------------------------------------------------|-------------------------------------------------------------------------------------------------------------------------------------------------------------------------------------------------------------------------------------------------------------------------------------|----------------------------------------------------------------------------------------------------------------------------------------------------------------|