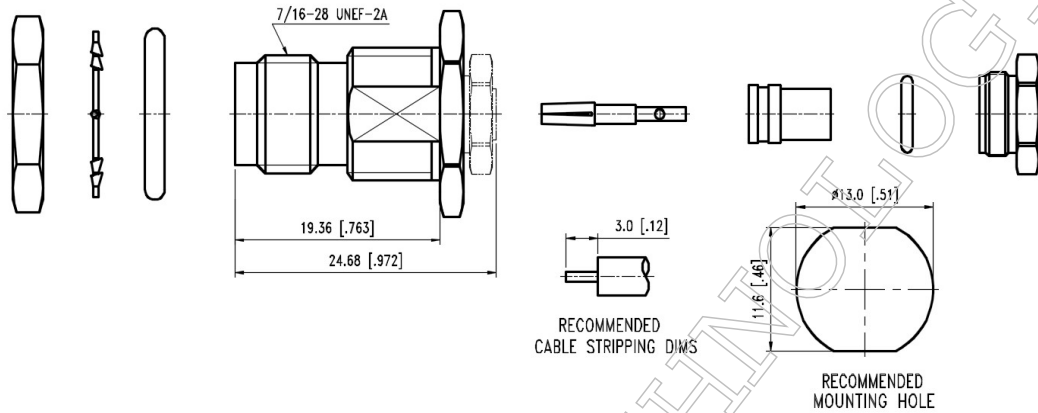


■ **Outline Dimension Drawing**

Dimensions: mm[inch]



■ **Material Specification**

Description	Material	Plating
Body	Stainless steel	Passivate
Body	Stainless steel	Gold
Contact	BeCu	Gold
Dielectric	PTFE	
Back Nut	Stainless steel	Passivate
O-ring*2	S.I.R	Black
Washer	BeCu	Tri-Alloy
Nut	Stainless steel	Passivate

In the effort to improve our products, we reserve the right to make changes judged to be necessary



■ **Electrical Specification**

Description		Description	
Impedance	50 Ω	Insulation Resistance	5000 MΩ Min.
Frequency	11 GHz	Inner Contact Resistance	3 mΩ Max.
VSWR	1.3 Max.	Outer Contact Resistance	2 mΩ Max.
Insertion Loss	0.25 dB Max.		
Voltage Rating	500 Vrms Max.		
Dielectric Withstanding Voltage	1500 Vrms Max.		

■ **Mechanical Specification**

Description		Description	
Center Contact		Recommended Torque	10~12 in. lbs
Axial Force-Mating End	N/A lbs.	Coupling Nut Retention	N/A lbs. Min.
Axial Force-Opposite End	N/A lbs.		
Connector Durability	500 cycles		
Weight	N/A g		

■ **Environmental Specification**

Description		Description	
Temperature Min.	-65 °C		
Temperature Max.	165 °C		
Hermetic Seal	N/A		

In the effort to improve our products, we reserve the right to make changes judged to be necessary