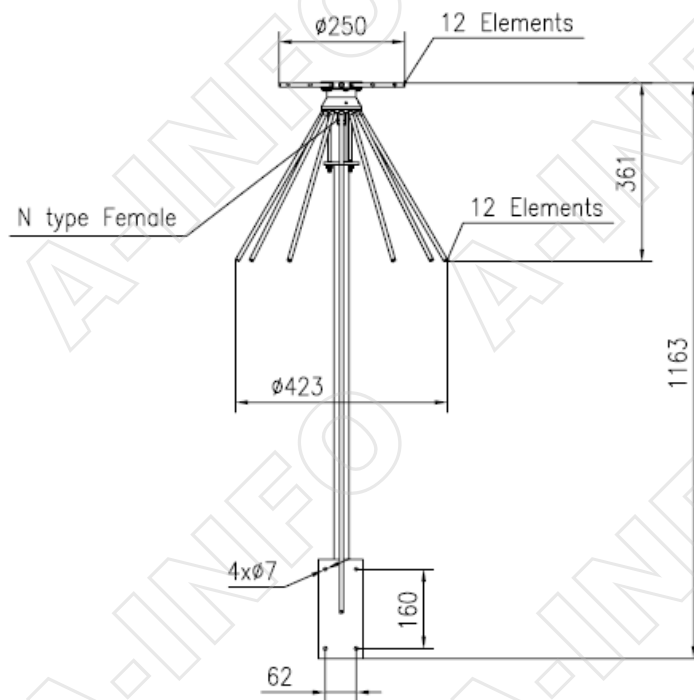


## Technical Specification

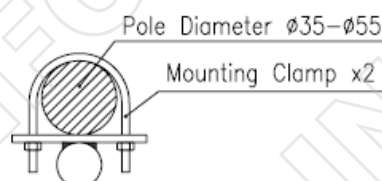


Frequency Range(MHz)	250 - 1000
Gain(dB)	1.5 Typ.
Polarization	Linear
VSWR	2.0:1 Typ.
Power(W)	300 CW
Connector	N-Female
Size(mm) $\Phi$ x H	$\Phi$ 423x 1163 (including mounting bracket)
Net Weight(Kg)	2.5 Around (including mounting bracket)

## Outline Drawing (Size: mm)

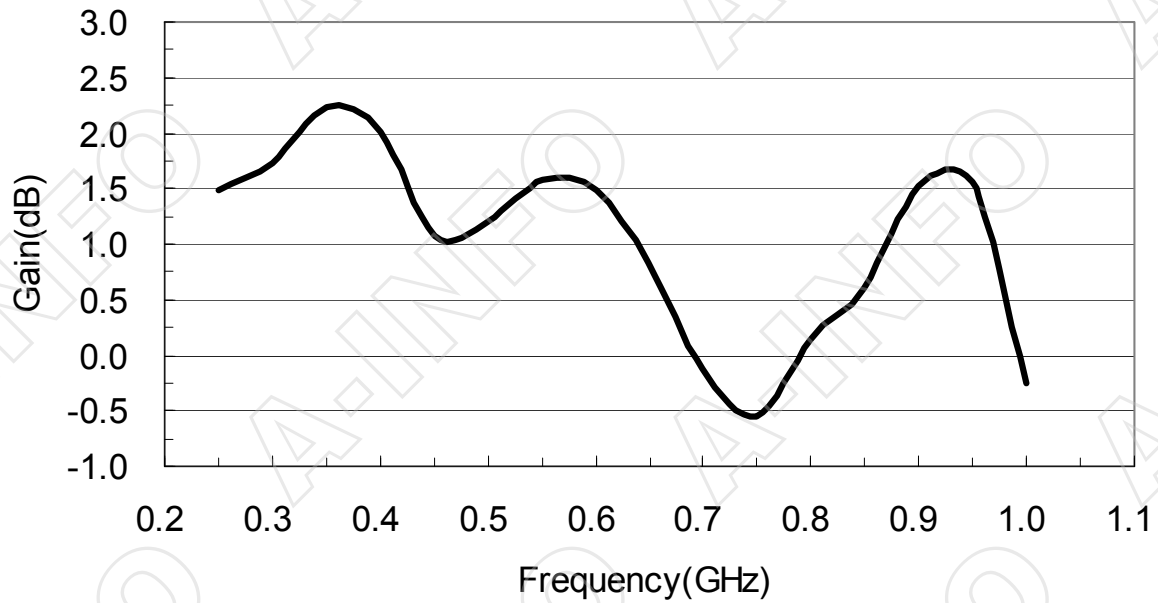


Mounting Pole

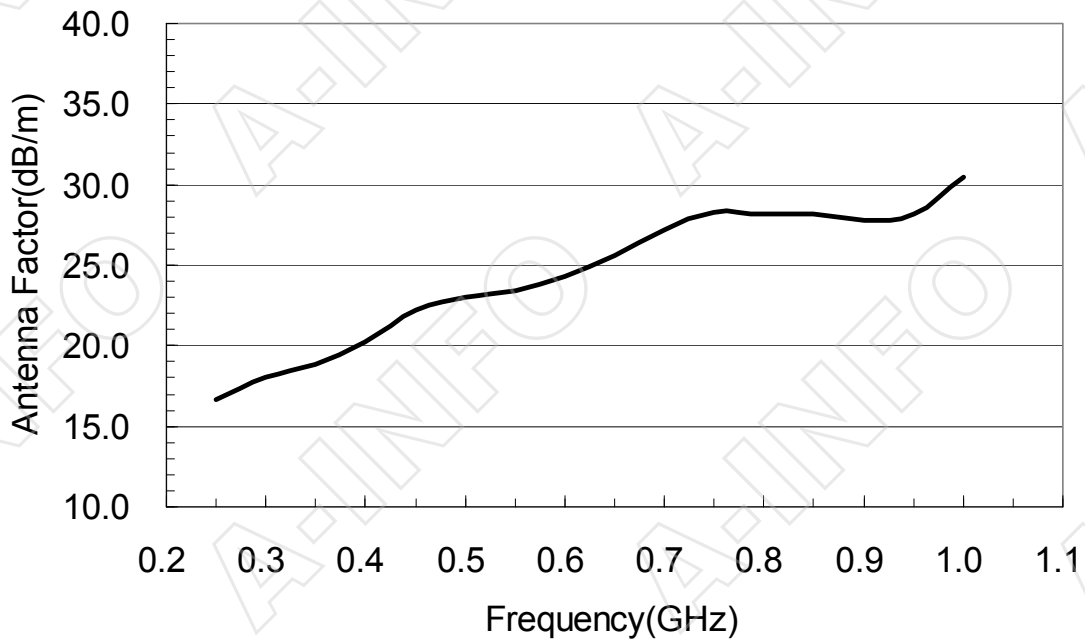


## Test Results

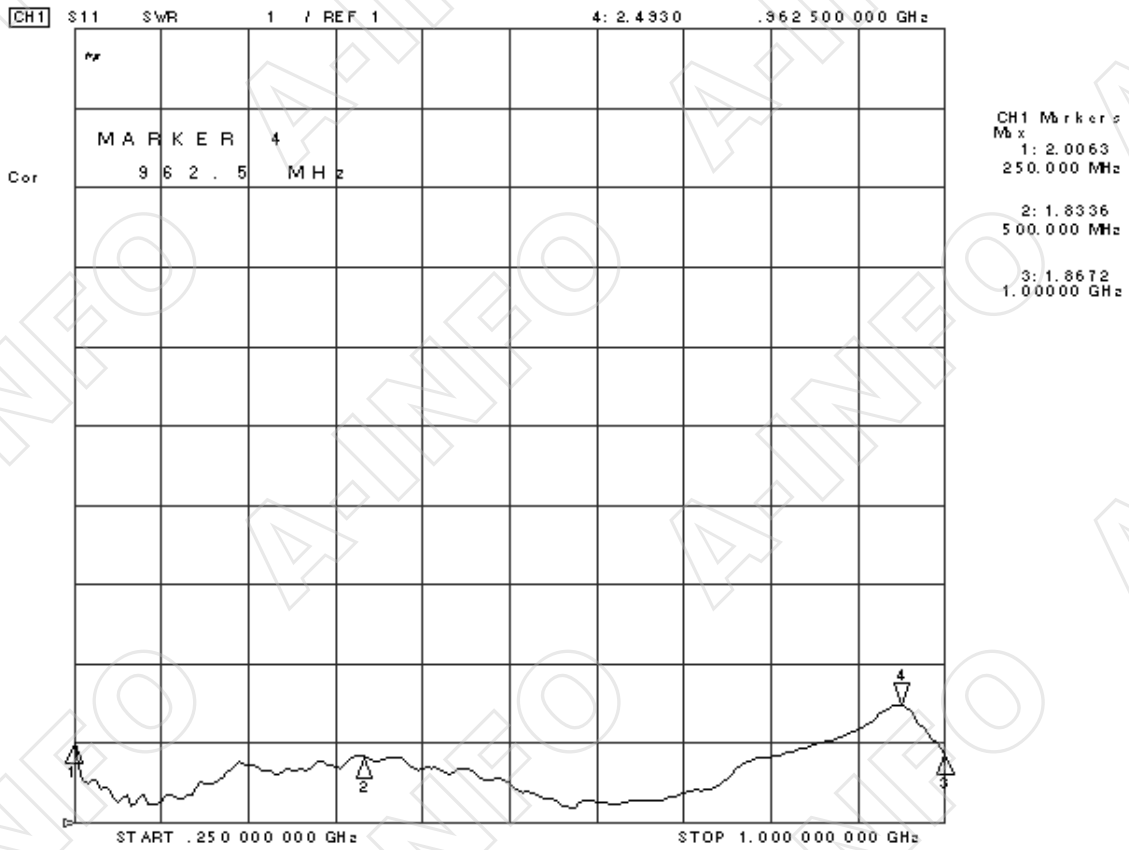
### 1. Gain



### 2. Antenna Factor



### 3. VSWR



### 4. Pattern

