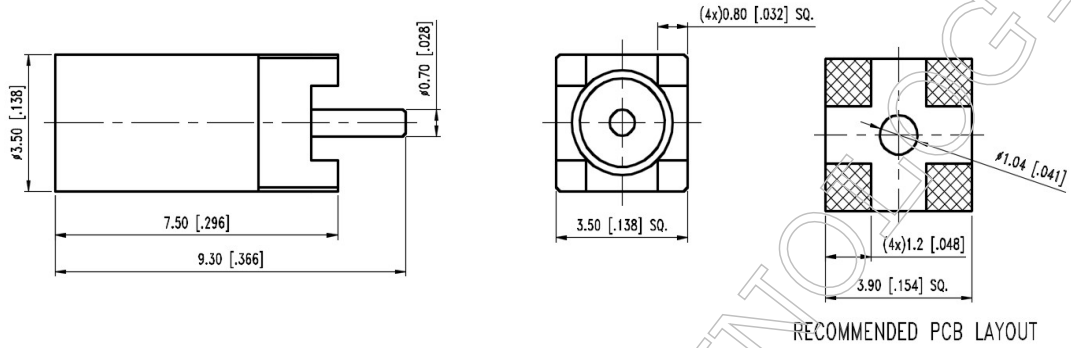


▪ **Outline Dimension Drawing**

Dimensions: mm[inch]



▪ **Material Specification**

Description	Material	Plating
Body	Brass	Gold
Contact	BeCu	Gold
Dielectric	PTFE	

In the effort to improve our products, we reserve the right to make changes judged to be necessary



▪ **Electrical Specification**

Description		Description	
Impedance	50 Ω	Insulation Resistance	1000 M Ω Min.
Frequency	6 GHz	Inner Contact Resistance	5 m Ω Max.
VSWR	1.25 Max.	Outer Contact Resistance	2.5 m Ω Max.
Insertion Loss	0.25 dB Max.		
Voltage Rating	250 Vrms Max.		
Dielectric Withstanding Voltage	500 Vrms Max.		

▪ **Mechanical Specification**

Description		Description	
Engagement Force	3.4 lbs. Max.		
Disengagement Force	1.4~3.4 lbs.		
Center Contact			
Axial Force-Mating End	2.3 lbs.		
Axial Force-Opposite End	2.3 lbs.		
Connector Durability	500 cycles		
Weight	N/A g		

▪ **Environmental Specification**

Description		Description	
Temperature Min.	-55 $^{\circ}$ C		
Temperature Max.	155 $^{\circ}$ C		
Hermetic Seal	N/A		

In the effort to improve our products, we reserve the right to make changes judged to be necessary