

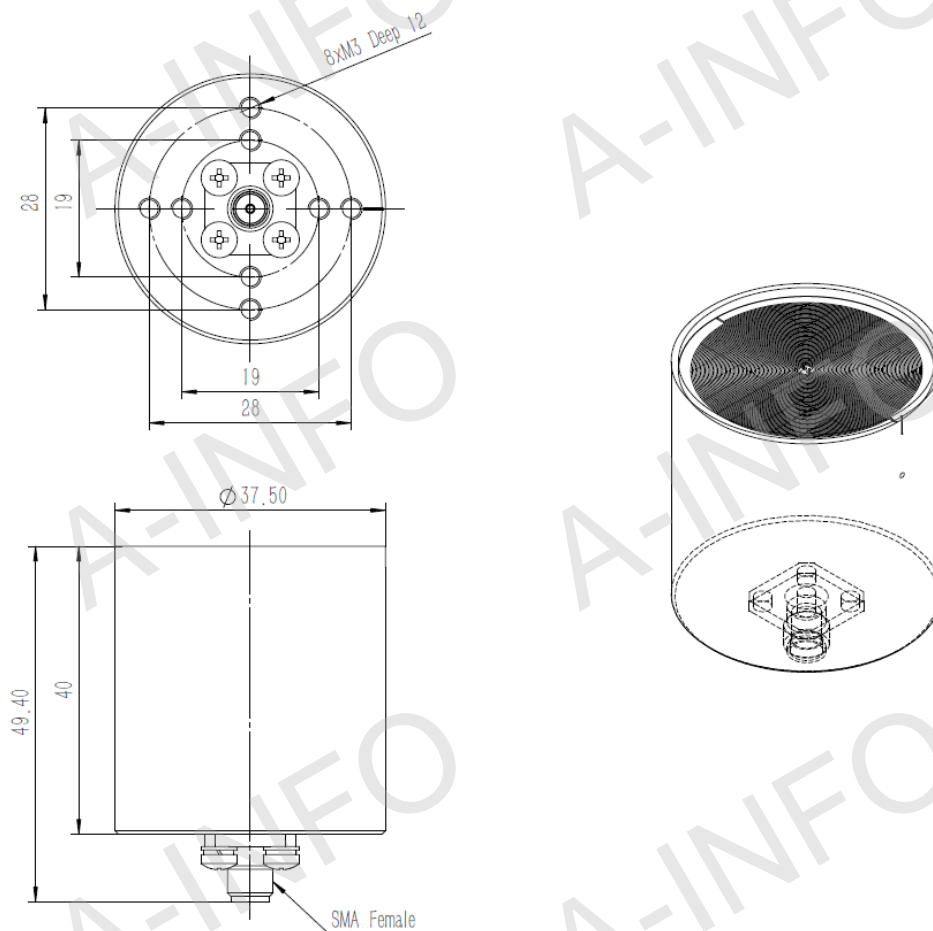
Technical Specification



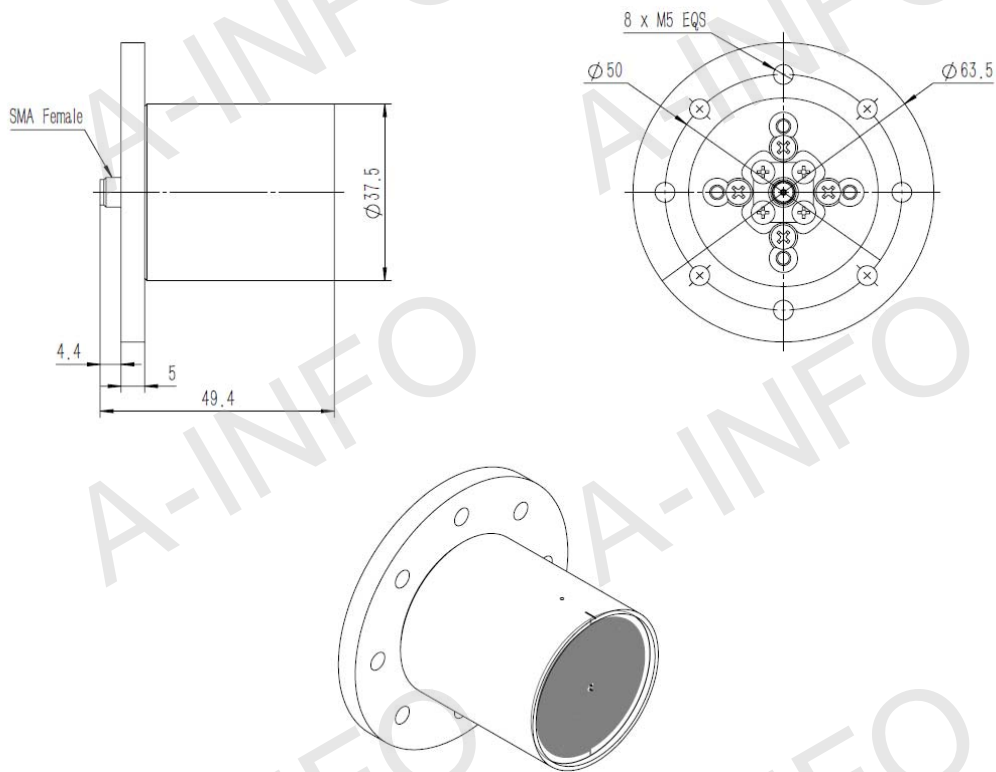
Frequency Range(GHz)	4.0 - 18.0
Gain(dBic)	2.14@4GHz
	3.86@8GHz
	1.77@18GHz
Polarization	RHCP or LHCP
Axial Ratio(dB)	3.5 Max.
3dB Beamwidth(deg)	E Plane: 120 - 52
	H Plane: 105 - 56
VSWR	2.0:1 Typ.
	3.0:1 Max.
Connector	SMA-Female
Material	Al
Size(mm)	Φ37.5 x 49.4
Net Weight(Kg)	0.06 Around

Outline Drawing (Size: mm)

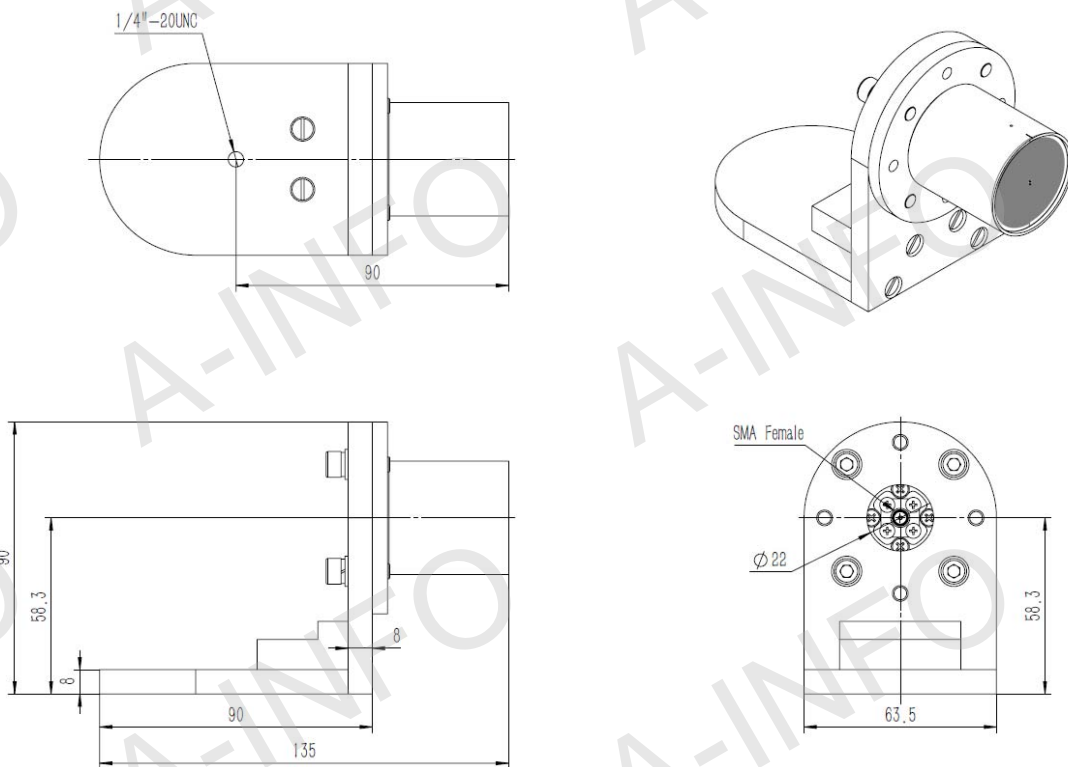
With SMA-Female Output



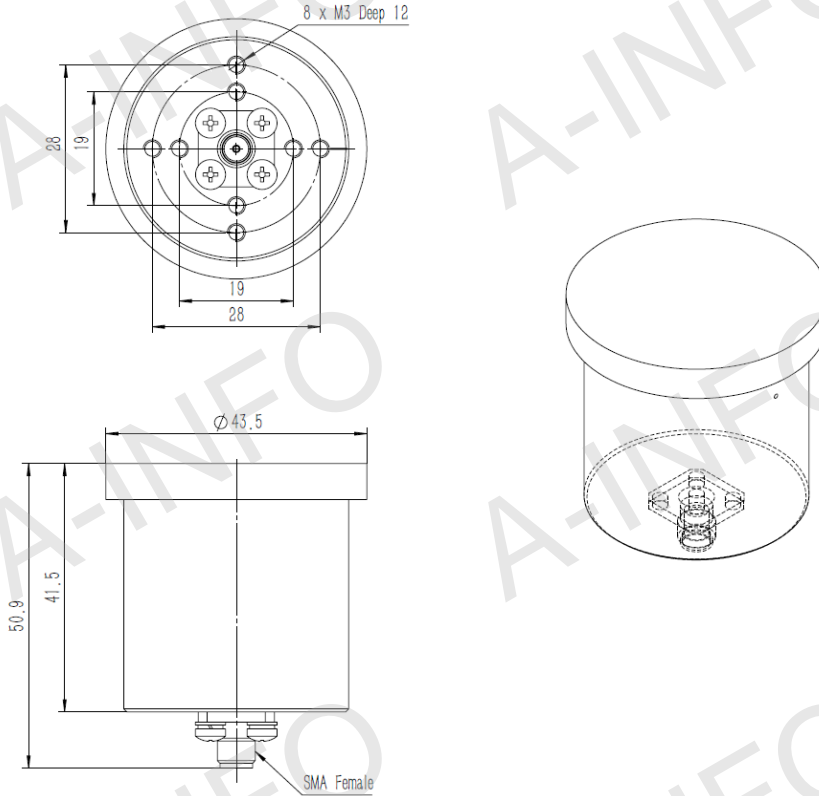
With SMA-Female Output & Round Mounting Bracket



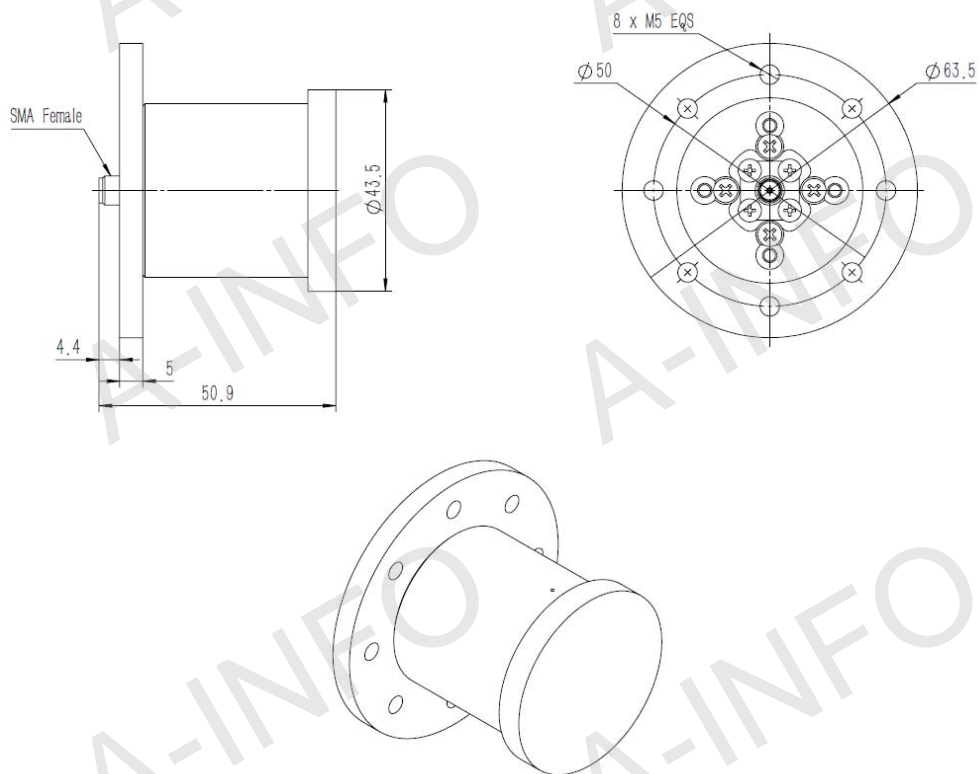
With SMA-Female Output & L Type Mounting Bracket



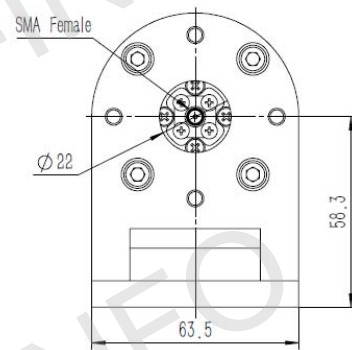
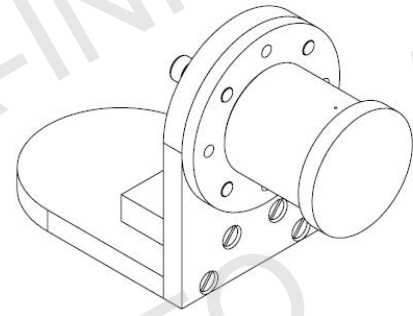
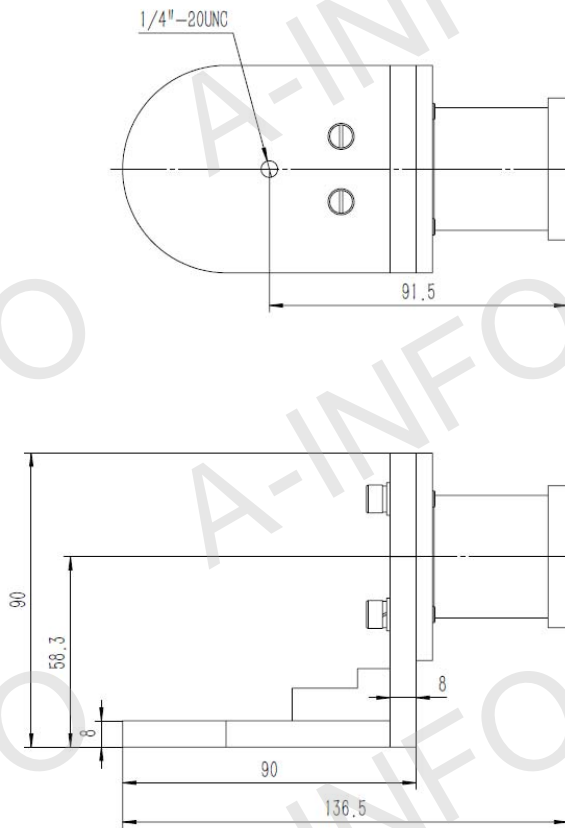
With SMA-Female Output & Radome



With SMA-Female Output & Round Mounting Bracket & Radome

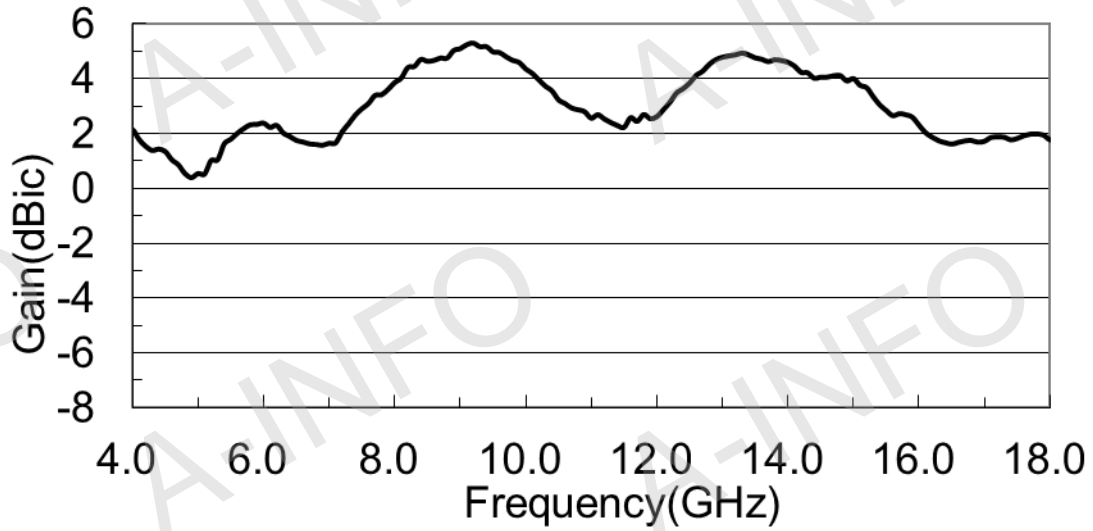


With SMA-Female Output & L Type Mounting Bracket & Radome

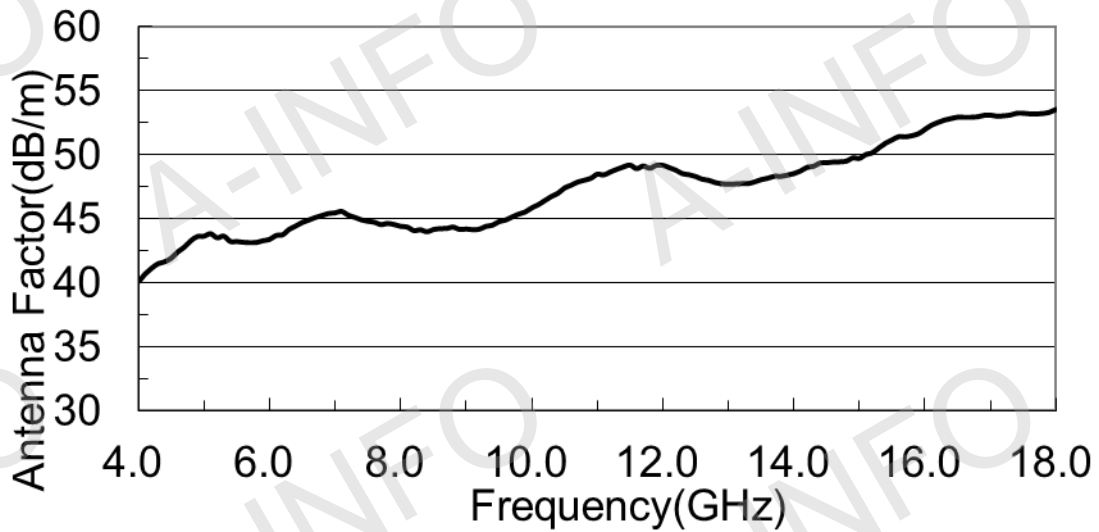


Test Results

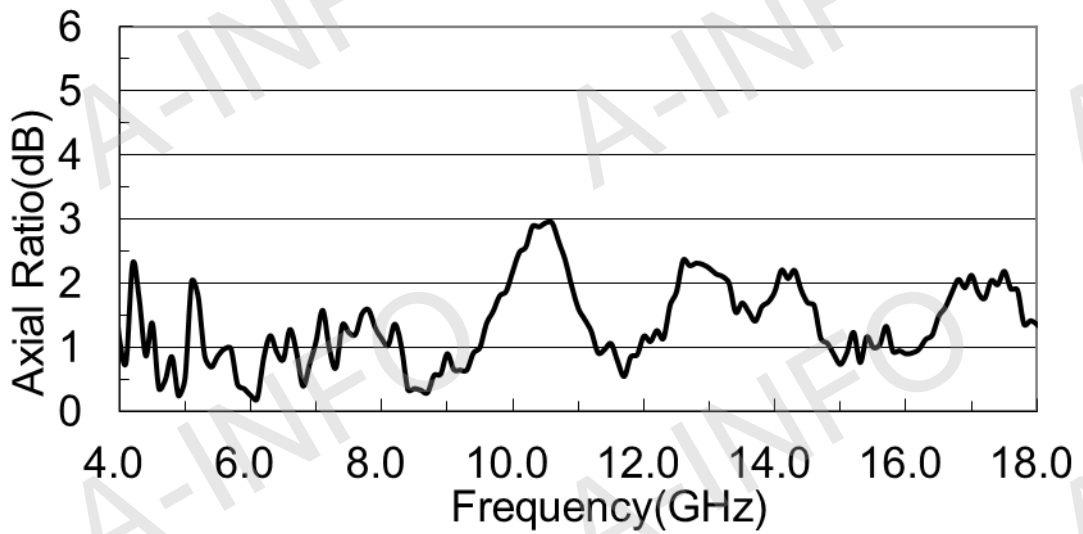
1. Gain



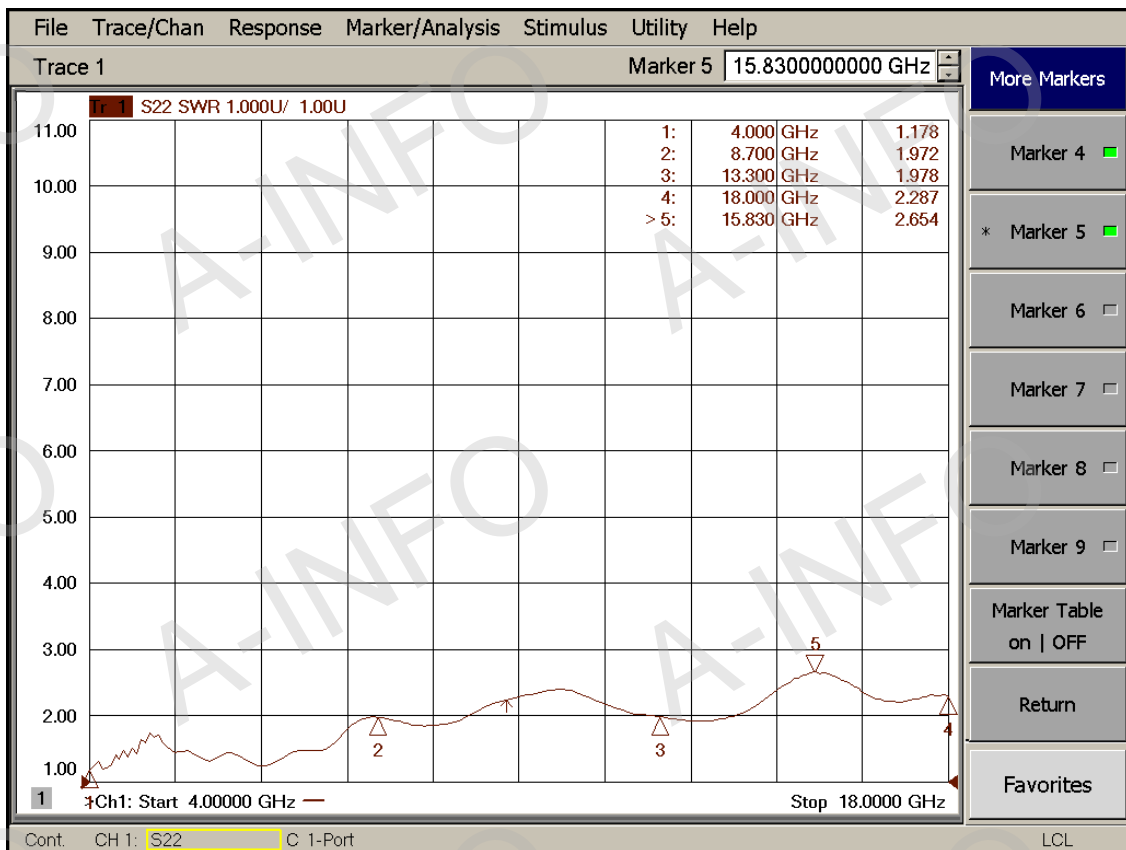
2. Antenna Factor



3. Axial Ratio



4. VSWR



5. Pattern

