

90WLPL_DP_IP65 WR90 Waveguide Low Power Load 8.2-12.4GHz with Rectangular Waveguide Interface



WR90 Waveguide Low Power Load Operating From 8.2 to 12.4GHz with Rectangular Waveguide Interface

Product Information

SKU	90WLPL_DP_IP65
-----	----------------

Description

Waveguide low power load 90WLPL_DP_IP65, operating from 8.2 to 12.4GHz and low VSWR 1.03:1. 90WLPL_DP_IP65 covers the WR90 sub waveguide band and comes with one flange FDP100(UDR100). It can handle 4W continuously and 4KW peak power. The WLPL series are for general version, low VSWR terminations for system application. The typical applications include system or test bench set-ups and small moderate power dummy loads.

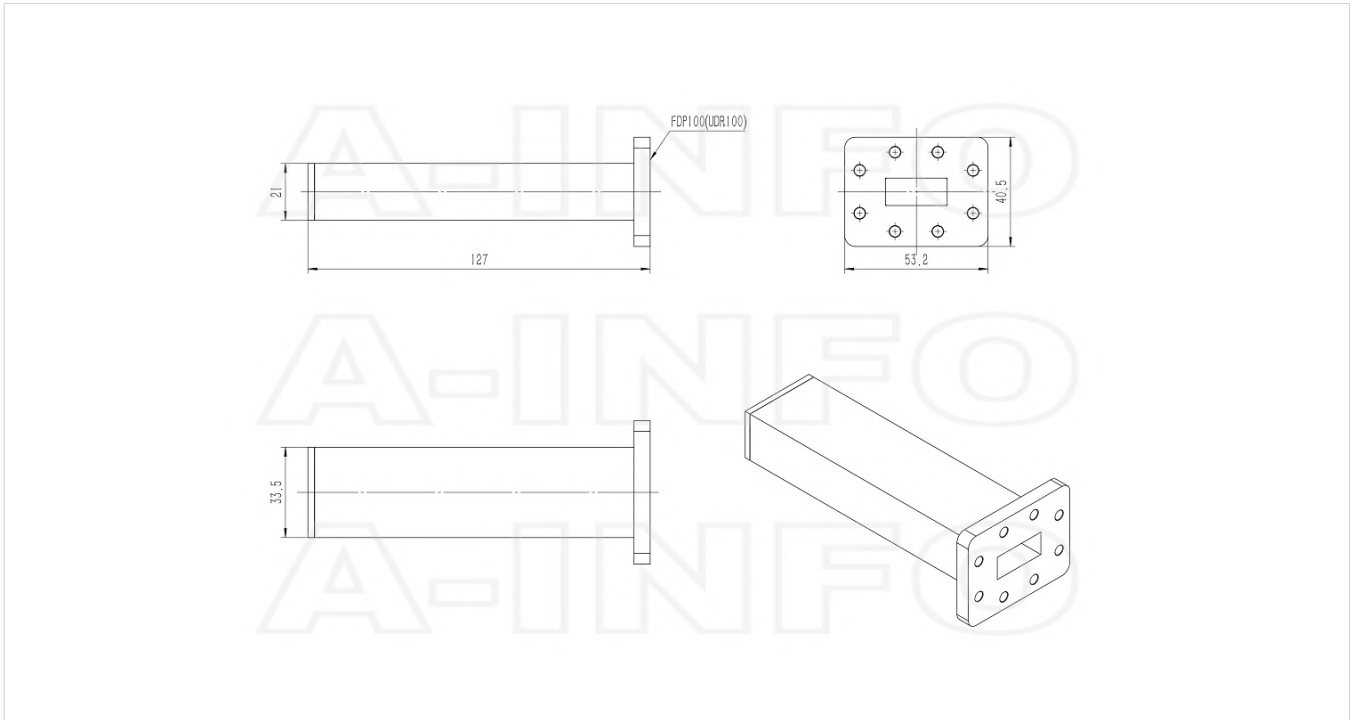
Technical Specification

Electrical Specification		Mechanical Specification	
WG Load Type	Low Power	Body Material	Al
Waveguide Band	X Ku	Size, L (mm)	127
Waveguide Type	Rectangular	Size, W (mm)	53.2
Waveguide Size EIA WR	WR90	Size, H (mm)	40.5
Frequency, Min (GHz)	8.2	Weight, (kg)	0.21
Frequency, Max (GHz)	12.4	Pressure Sealed	No
VSWR, Typ	1.025:1	Environmental Specification	
VSWR, Max	1.03:1	Operating Temp. Low (°C)	-55
Power Handling, CW, (W)	4	Operating Temp. High (°C)	85
Power Handling, Peak, (KW)	4	Storage Temp. Low (°C)	-60
Interface		Storage Temp. High (°C)	90
Flange Style	Rectangular		
Flange Type	Cover		
Flange Designation	FDP100(UDR100)		

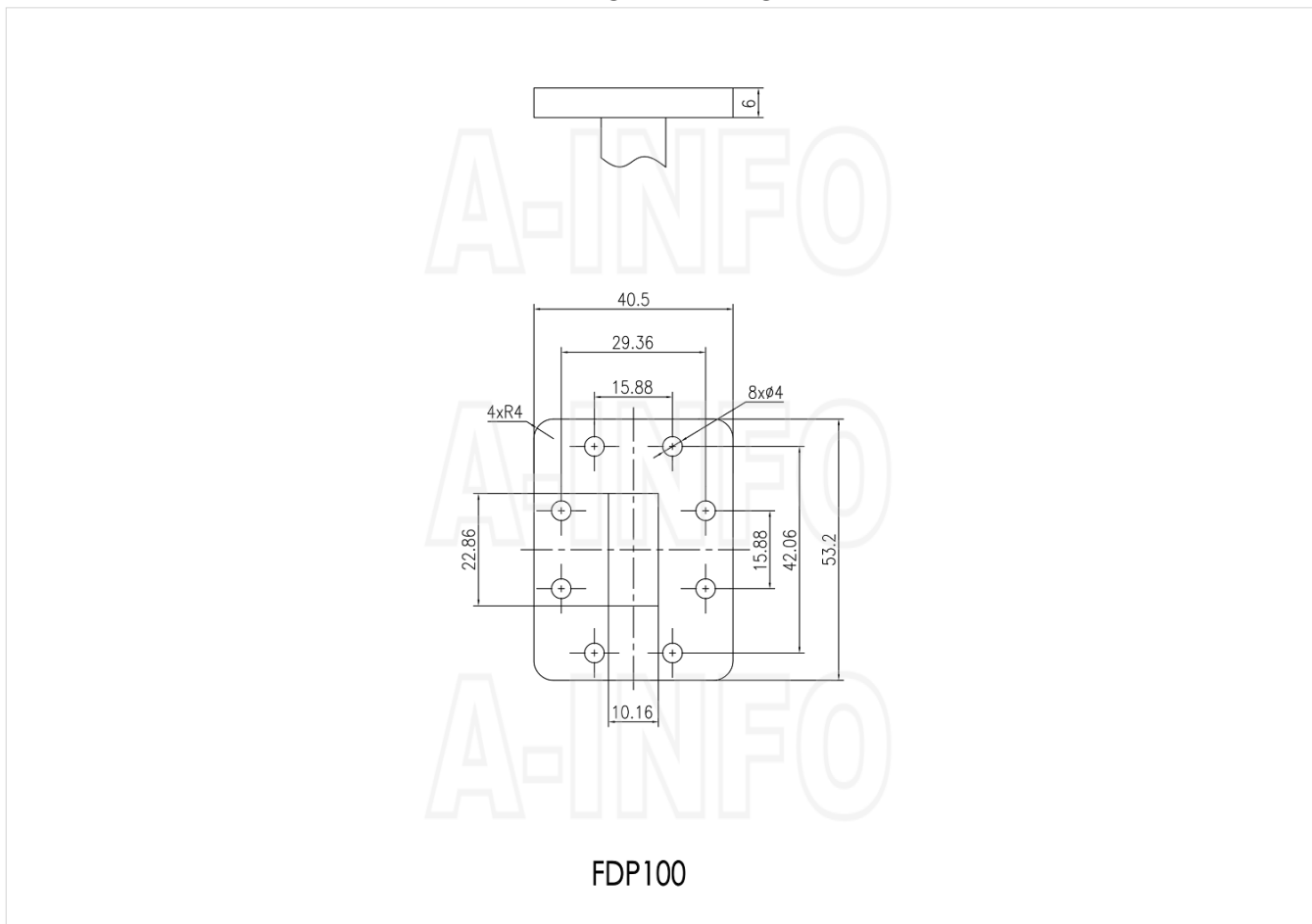
Additional Information

Application	General Purpose Indoor & Outdoor, Fixed
-------------	---

Outline Drawing

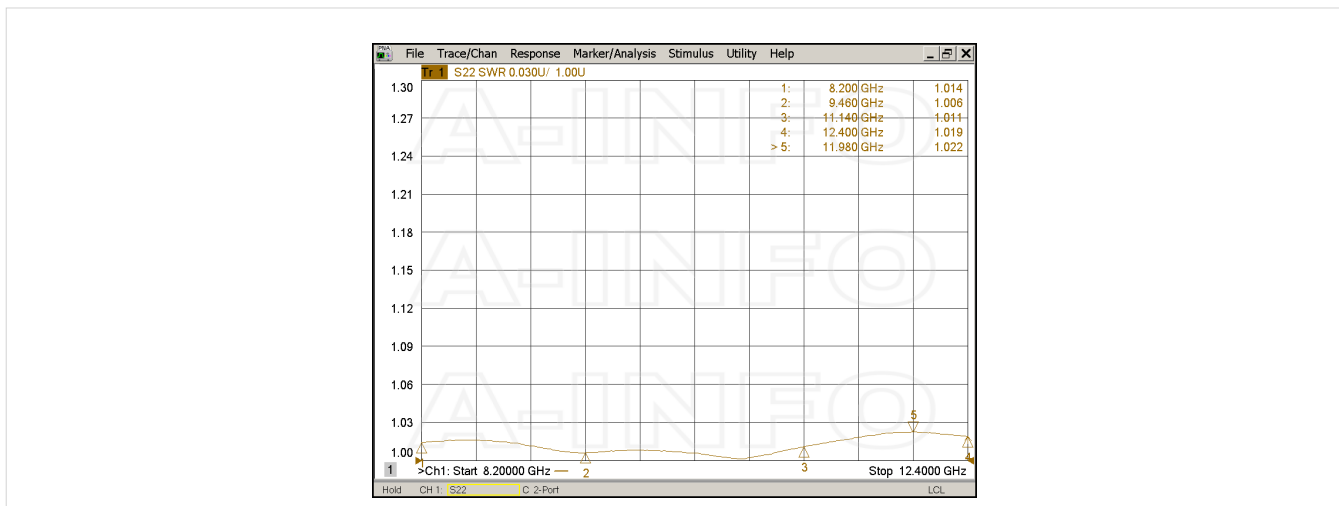


Flange Drawing



Typical Test Results

VSWR



About this Datasheet

<ul style="list-style-type: none"> ● Product Information Product Link: https://www.ainfoinc.com/90wlpl-dp-ip65-wr90-waveguide-low-power-load-8-2-12-4-ghz-fdp100-udr100 Data subject to change without notice. © A-INFO INC. 2024. All Rights Reserved 	<ul style="list-style-type: none"> ● Contact Us Address: 60 Tesla, Irvine, CA 92618, USA Website: www.ainfoinc.com Email: sales@ainfoinc.com 	<ul style="list-style-type: none"> ● Phone & Fax Phone: +1-949-639-9688 +1-949-639-9608 Fax: +1-949-639-9670
---	--	--