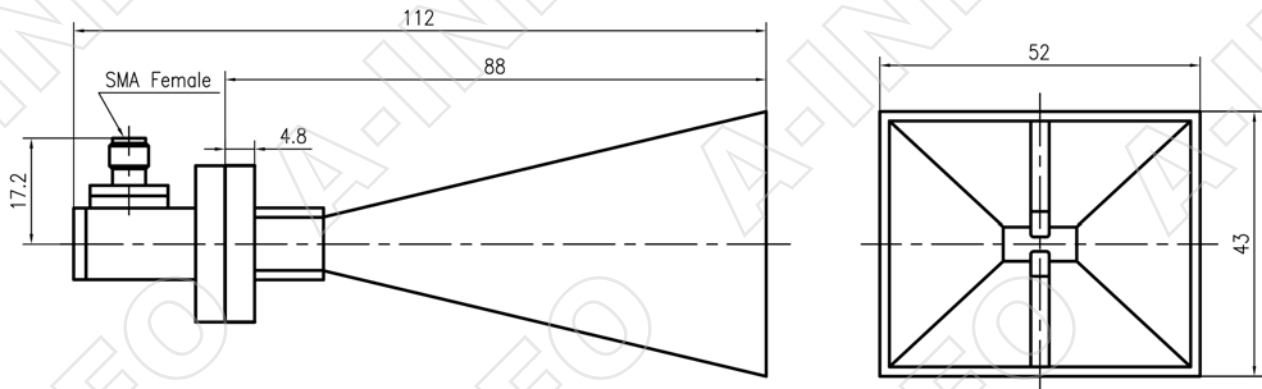


Technical Specification



Frequency Range(GHz)	11.0-26.5
Gain(dB)	15 Typ.
Polarization	Linear
VSWR	2.0 Max.
Cross Polarization Isolation(dB)	-20 Max.
Waveguide(A Type)	WRD110C24
Adapter(C Type)	110DRWCAS
Connector(C Type)	SMA-F
Size(mm)	52x43x112 (Including Adapter)
Net Weight(Kg)	0.15 Around (Including Adapter)

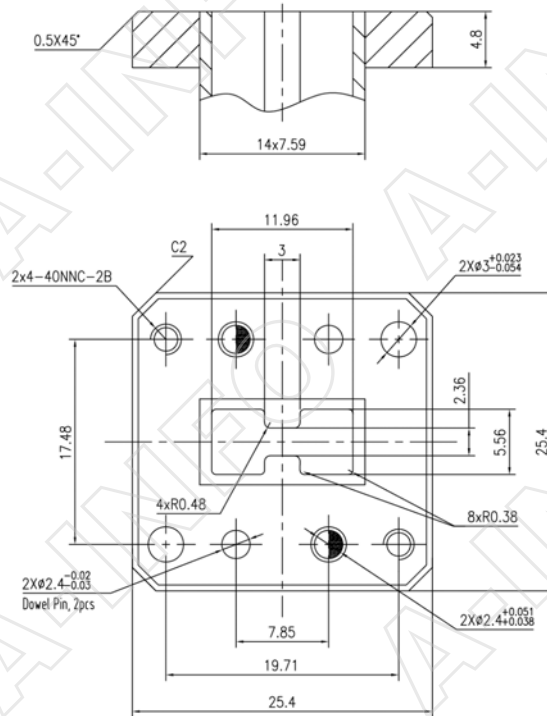
Outline Drawing (Size: mm) Including Adapter



Flange Drawing (Size: mm)

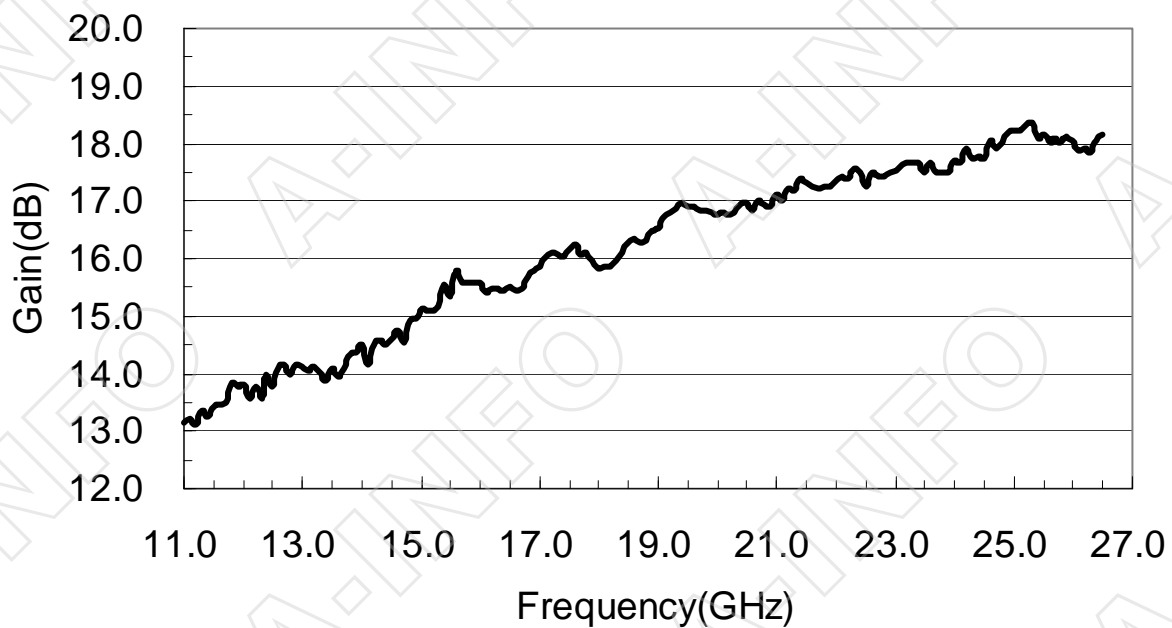
FPWRD110C24

(With two through mounting holes
and two screws holes)

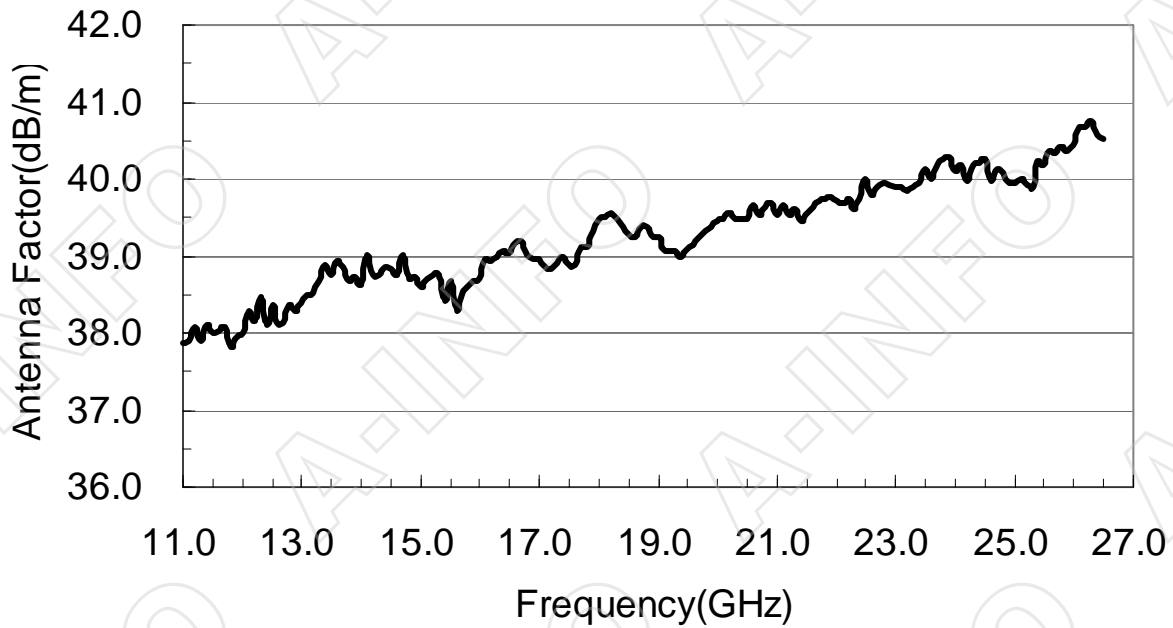


Test Results

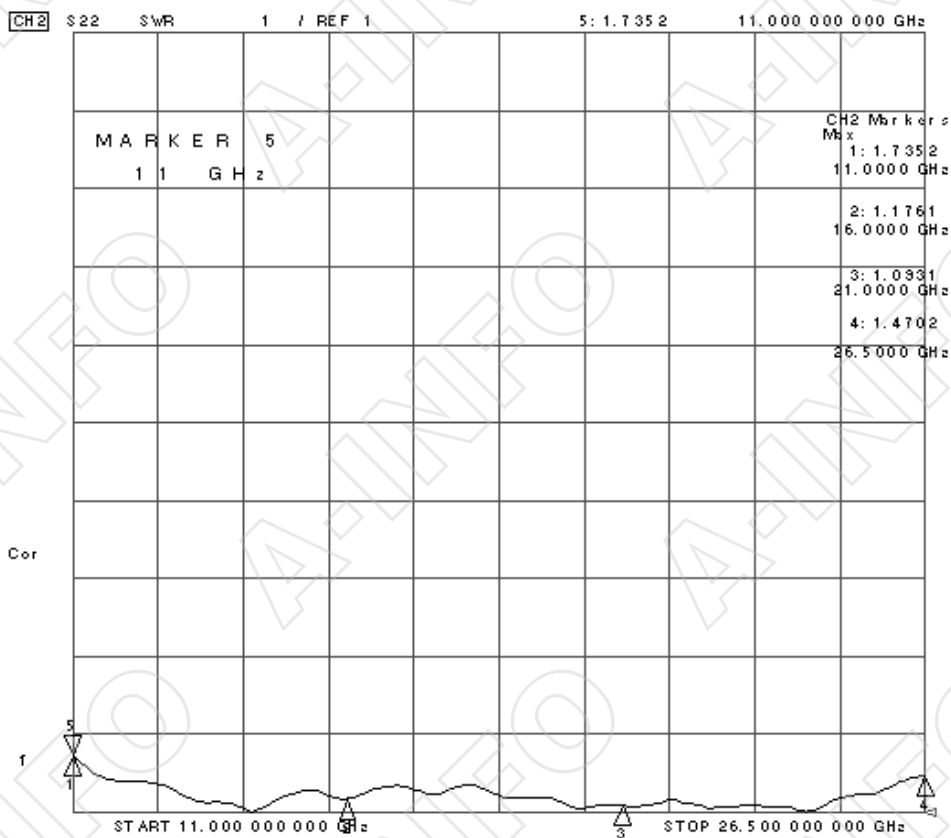
1. Gain



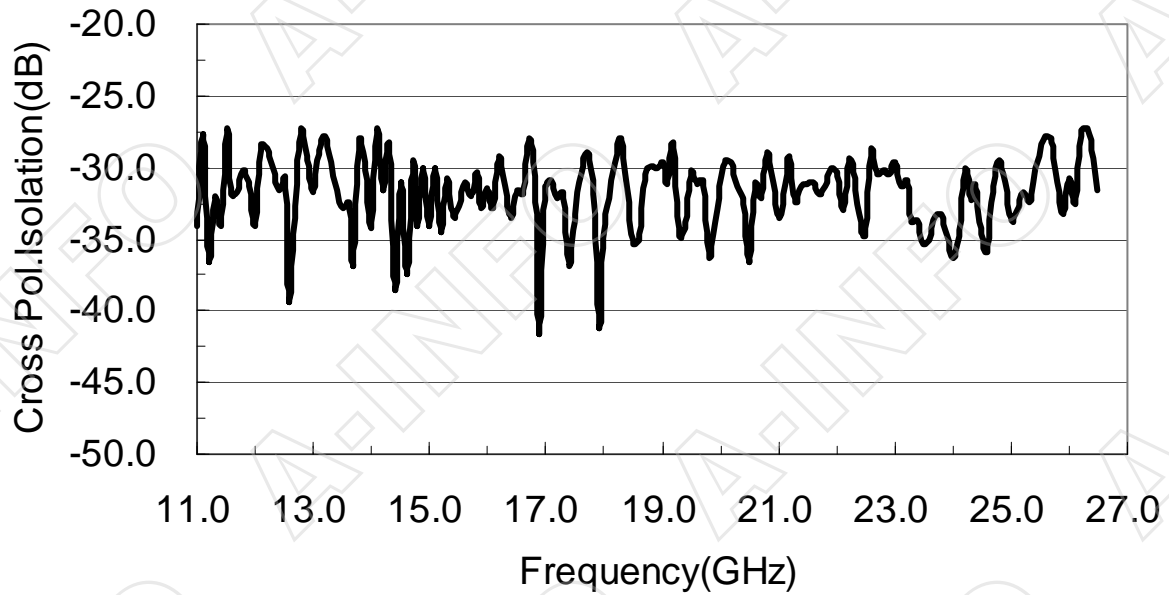
2. Antenna Factor



3. VSWR



4. Cross Polarization Isolation



5. Pattern

