

159WHT WR159 Waveguide H-Plane Tee 4.9-7.05GHz with Three Rectangular Waveguide Interfaces

WR159 Waveguide H-Plane Tee Operating From 4.9 to 7.05GHz with Three Rectangular Waveguide Interfaces



Product Information

SKU	159WHT
-----	--------

Description

Waveguide H-plane tee 159WHT, operating from 4.9 to 7.05GHz with a 0.15dB insertion loss and low VSWR 1.50:1. 159WHT is a three-ports waveguide connector. All the ports have standard WR159 waveguides with the same flanges FDP58(UDR58). The waveguide H-plane tees are used to separate the signal at H plane rectangular port into the collinear arm with the two rectangular waveguide ports or synthesize the signal from the two ports of the collinear arm into the H plane port.

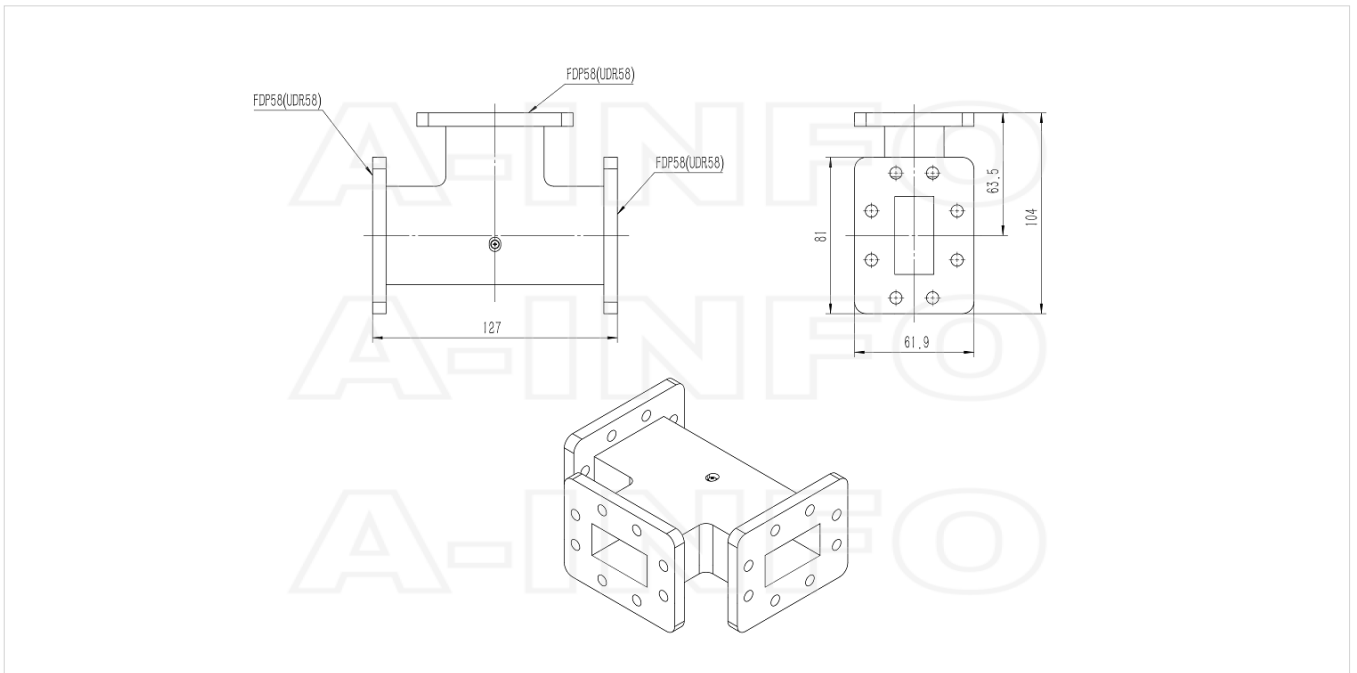
Technical Specification

Electrical Specification		Interface	
WG Tee Type	H-Plane Tee	Flange 3 Style	Rectangular
Waveguide Band	C	Flange 3 Type	Cover
Waveguide Type	Rectangular	Flange 3 Designation	FDP58(UDR58)
Waveguide Size EIA WR	WR159	Mechanical Specification	
Frequency, Min (GHz)	4.9	Body Material	Al
Frequency, Max (GHz)	7.05	Size, L (mm)	127
I.L., Typ (dB)	0.15	Size, W (mm)	61.9
I.L., Max (dB)	0.2	Size, H (mm)	104
VSWR, Typ	1.50:1	Weight, (kg)	0.53
Power Handling, CW, (W)	1500	Pressure Sealed	No
Power Handling, Peak, (KW)	800	Environmental Specification	
Interface		Operating Temp. Low (°C)	-55
Flange 1 Style	Rectangular	Operating Temp. High (°C)	85
Flange 1 Type	Cover	Storage Temp. Low (°C)	-60
Flange 1 Designation	FDP58(UDR58)	Storage Temp. High (°C)	90
Flange 2 Style	Rectangular		
Flange 2 Type	Cover		
Flange 2 Designation	FDP58(UDR58)		

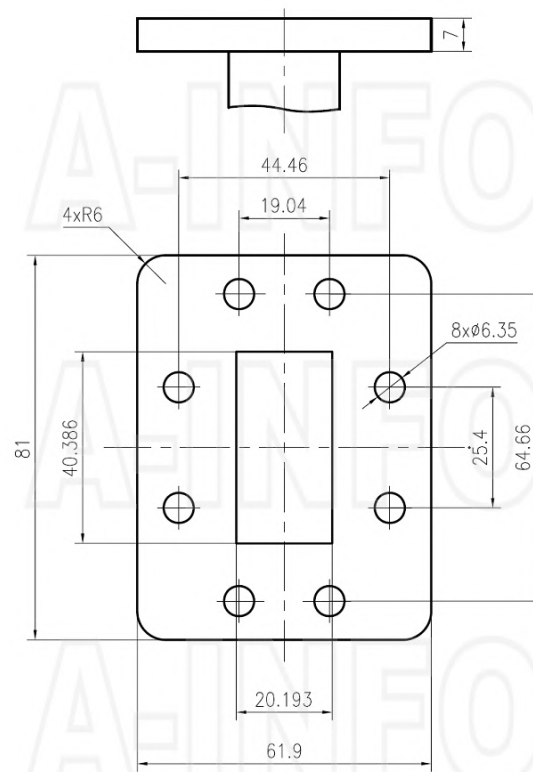
Additional Information

Application	General Purpose Indoor & Outdoor, Fixed
-------------	---

Outline Drawing(Size: mm)



Flange Drawing(Size: mm)



FDP58

Similar Products



137WET WR137 Waveguide E-Plane Tee 5.85-8.2GHz with Three Rectangular Waveguide Interfaces



137WHT WR137 Waveguide H-Plane Tee 5.85-8.2GHz with Three Rectangular Waveguide Interfaces



137WMT WR137 Waveguide Magic Tee 5.85-8.2GHz with Four Rectangular Waveguide Interfaces



159WET WR159 Waveguide E-Plane Tee 4.9-7.05GHz with Three Rectangular Waveguide Interfaces



159WMT WR159 Waveguide Magic Tee 4.9-7.05GHz with Four Rectangular Waveguide Interfaces



187WET WR187 Waveguide E-Plane Tee 3.95-5.85GHz with Three Rectangular Waveguide Interfaces



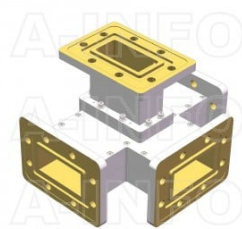
187WET/C10 WR187 Waveguide E-Plane Tee 4.4-5GHz with Three Rectangular Waveguide Interfaces



187WHT WR187 Waveguide H-Plane Tee 3.95-5.85GHz with Three Rectangular Waveguide Interfaces



187WMT WR187 Waveguide Magic Tee 3.95-5.85GHz with Four Rectangular Waveguide Interfaces



187WMT_DMDMDMDM WR187 Waveguide Magic Tee 3.95-5.85GHz with Four Rectangular Waveguide Interfaces

About this Datasheet

<ul style="list-style-type: none"> ● Product Information Product Link: https://www.ainfoinc.com/159wht-wr159-waveguide-h-plane-tee-4-9-7-05-ghz-fdp58-udr58 Data subject to change without notice. © A-INFO INC. 2024. All Rights Reserved 	<ul style="list-style-type: none"> ● Contact Us Address: 60 Tesla, Irvine, CA 92618, USA Website: www.ainfoinc.com Email: sales@ainfoinc.com 	<ul style="list-style-type: none"> ● Phone & Fax Phone: +1-949-639-9688 +1-949-639-9608 Fax: +1-949-639-9670
---	--	--