



28WHT\_Cu WR28 Waveguide H-Plane Tee 26.5-40GHz with Three Rectangular Waveguide Interfaces

WR28 Waveguide H-Plane Tee Operating From 26.5 to 40GHz with Three Rectangular Waveguide Interfaces

### Product Information

SKU	28WHT_Cu
-----	----------

### Description

Waveguide H-plane tee 28WHT\_Cu, operating from 26.5 to 40GHz with a 0.15dB insertion loss and low VSWR 1.50:1. 28WHT\_Cu is a three-ports waveguide connector. All the ports have standard WR28 waveguides with the same flanges FBP320(UBR320). The waveguide H-plane tees are used to separate the signal at H plane rectangular port into the collinear arm with the two rectangular waveguide ports or synthesize the signal from the two ports of the collinear arm into the H plane port.

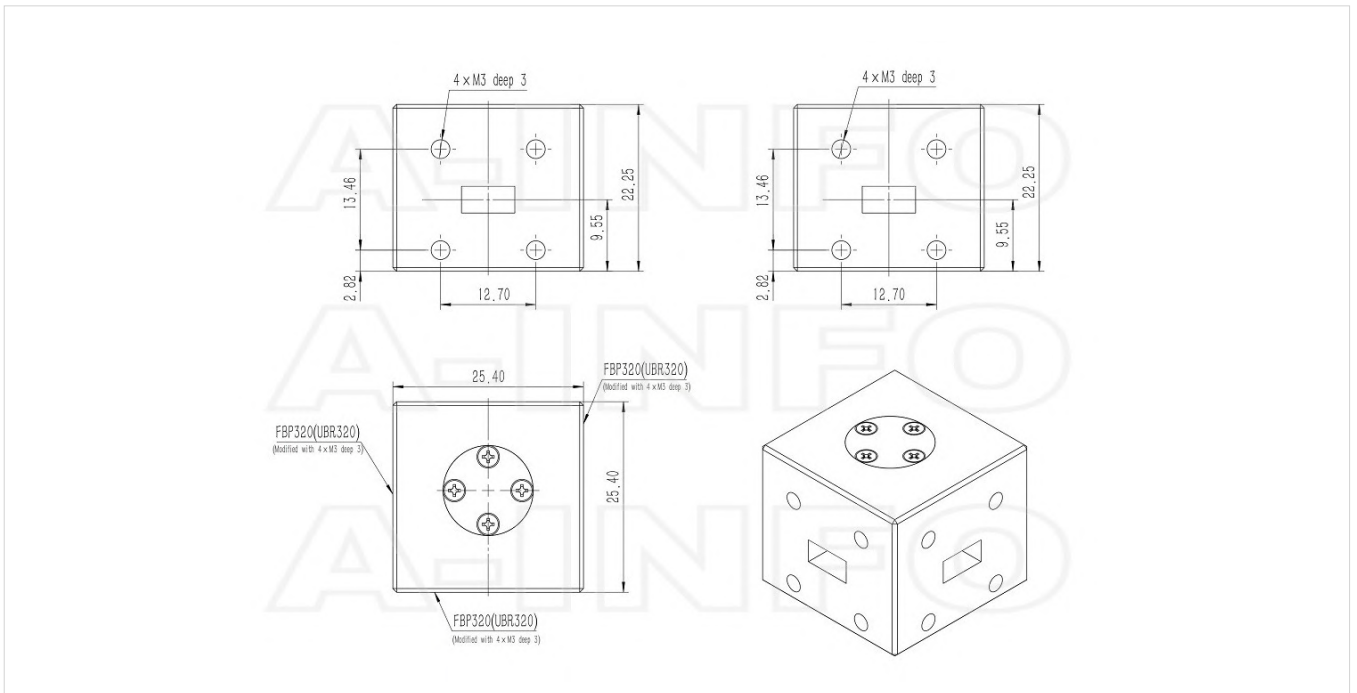
### Technical Specification

<b>Electrical Specification</b>		<b>Interface</b>	
WG Tee Type	H-Plane Tee	Flange 3 Style	Square
Waveguide Band	Ka	Flange 3 Type	Cover
Waveguide Type	Rectangular	Flange 3 Designation	FBP320(UBR320)
Waveguide Size EIA WR	WR28	<b>Mechanical Specification</b>	
Frequency, Min (GHz)	26.5	Body Material	Cu
Frequency, Max (GHz)	40	Size, L (mm)	25.4
I.L., Typ (dB)	0.15	Size, W (mm)	25.4
I.L., Max (dB)	0.3	Size, H (mm)	22.25
VSWR, Typ	1.50:1	Weight, (kg)	0.11
Amplitude Balance, Max ( $\pm$ dB)	0.3	Pressure Sealed	No
Phase Balance, Max (Deg.)	5	<b>Environmental Specification</b>	
Power Handling, CW, (W)	36	Operating Temp. Low ( $^{\circ}$ C)	-55
Power Handling, Peak, (KW)	25	Operating Temp. High ( $^{\circ}$ C)	85
<b>Interface</b>		Storage Temp. Low ( $^{\circ}$ C)	-60
Flange 1 Style	Square	Storage Temp. High ( $^{\circ}$ C)	90
Flange 1 Type	Cover		
Flange 1 Designation	FBP320(UBR320)		
Flange 2 Style	Square		
Flange 2 Type	Cover		
Flange 2 Designation	FBP320(UBR320)		

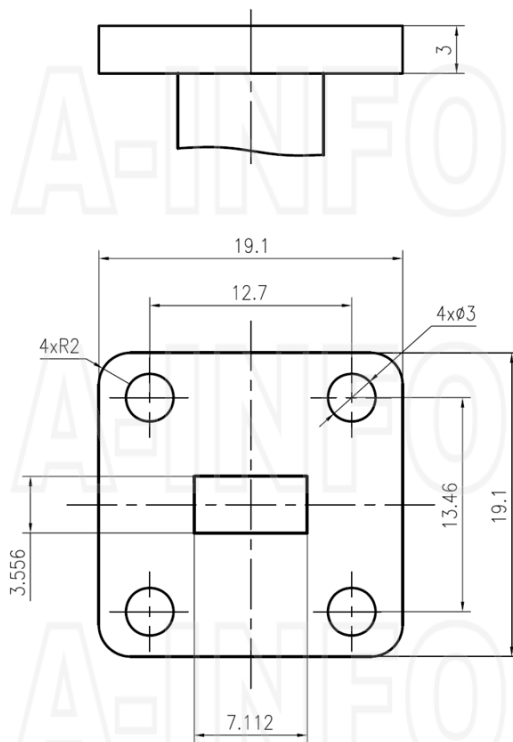
### Additional Information

Application	General Purpose Indoor & Outdoor, Fixed
-------------	---

## Outline Drawing(Size: mm)



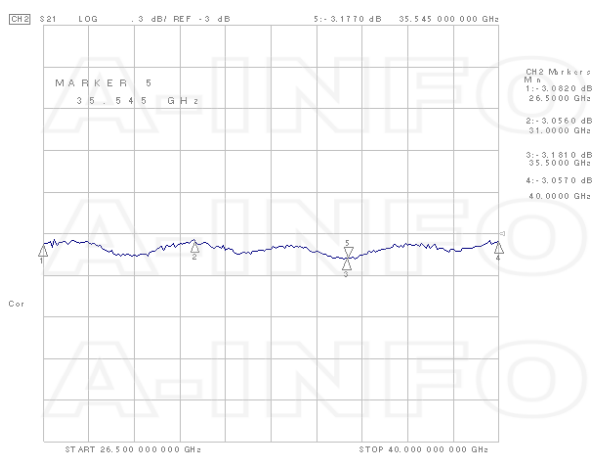
## Flange Drawing(Size: mm)



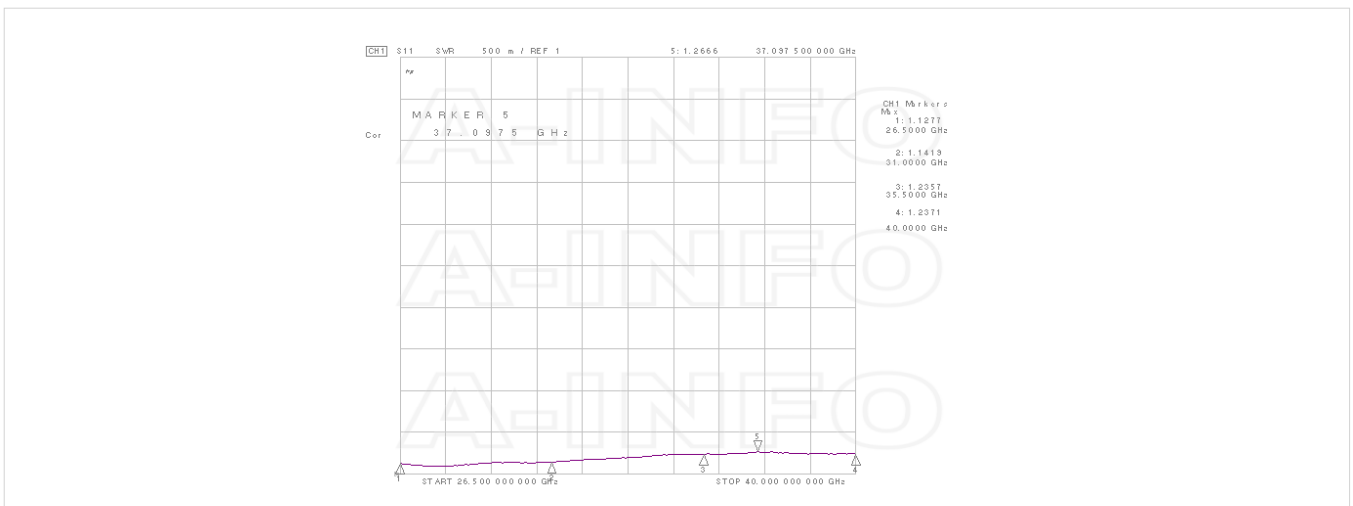
FBP320

## Typical Test Results

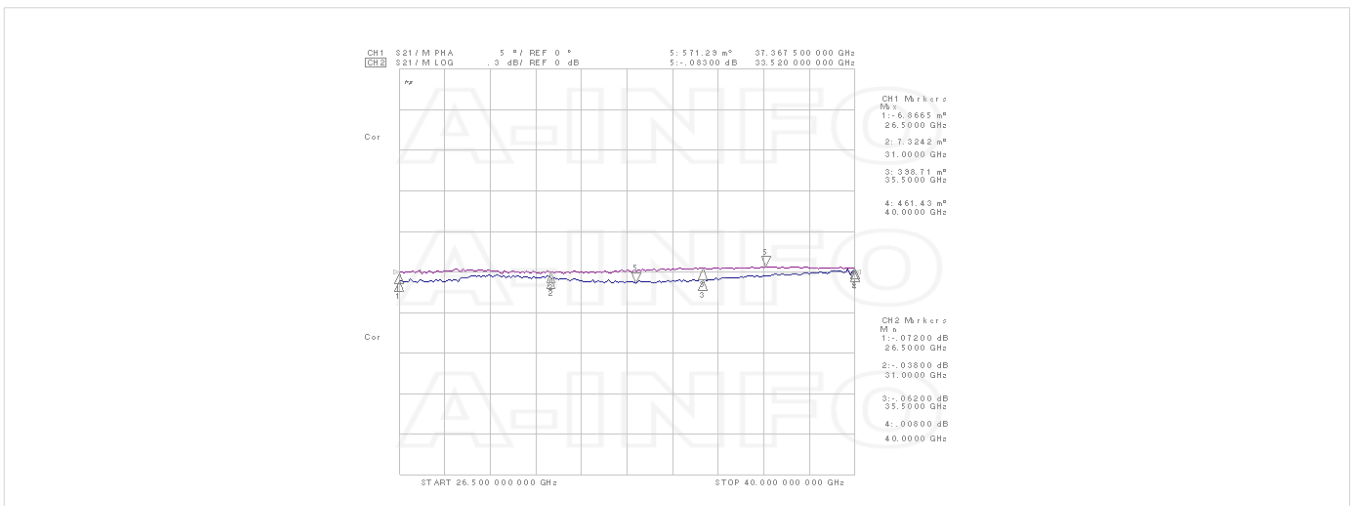
Insertion Loss(Including the theoretical loss 3.0dB)



### VSWR



### Amplitude Balance & Phase Balance



### Similar Products



28WET\_Cu WR28 Waveguide E-Plane Tee 26.5-40GHz with Three Rectangular Waveguide Interfaces



28WMT\_Cu WR28 Waveguide Magic Tee 26.5-40GHz with Four Rectangular Waveguide Interfaces



34WET\_Cu WR34 Waveguide E-Plane Tee 22-33GHz with Three Rectangular Waveguide Interfaces



34WHT\_Cu WR34 Waveguide H-Plane Tee 22-33GHz with Three Rectangular Waveguide Interfaces



34WMT\_Cu WR34 Waveguide Magic Tee 22-33GHz with Four Rectangular Waveguide Interfaces



22WET\_Cu WR22 Waveguide E-Plane Tee 33-50GHz with Three Rectangular Waveguide Interfaces



22WMT\_Cu WR22 Waveguide Magic Tee 33-50GHz with Four Rectangular Waveguide Interfaces

## About this Datasheet

<ul style="list-style-type: none"> <li>• <b>Product Information</b> Product Link: <a href="https://www.ainfoinc.com/28wht-cu-wr28-waveguide-h-plane-tee-26-5-40-ghz-fbp320-ubr320">https://www.ainfoinc.com/28wht-cu-wr28-waveguide-h-plane-tee-26-5-40-ghz-fbp320-ubr320</a> Data subject to change without notice. © A-INFO INC. 2024. All Rights Reserved</li> </ul>	<ul style="list-style-type: none"> <li>• <b>Contact Us</b> Address: 60 Tesla, Irvine, CA 92618, USA Website: <a href="http://www.ainfoinc.com">www.ainfoinc.com</a> Email: <a href="mailto:sales@ainfoinc.com">sales@ainfoinc.com</a></li> </ul>	<ul style="list-style-type: none"> <li>• <b>Phone &amp; Fax</b> Phone: +1-949-639-9688 +1-949-639-9608 Fax: +1-949-639-9670</li> </ul>
---	--	--